

4 Channel Constant Current LED DALI Dimmer

UDA4-CM (150-500mA) / UDA4-CM (350-1200mA)

1 Address/4 Channel/DT8/Constant current/PWM dimming /Numeric display



Features

- 4 channel constant current DALI LED Dimmer with digital display, 150-500mA or 350-1200mA per channel.
- 1 DALI address, DT6 dimming or DT8-TC color temperature or DT8-RGB or DT8-RGBW selectable.
- In accordance with DALI standard protocol IEC 62386-102, IEC 62386-207, IEC 62386-209 and in compliance with DALI products from other international incorporation.
- DALI address can be manually assigned and shown in digital display or automatically assigned by DALI master.
- PWM digital dimming, standard DALI logarithmic dimming curve.
- PWM frequency 1000/2000/4000/8000Hz selectable.
- Over-heat / Short circuit protection, recover automatically.
- With fast self-testing function.

CE RoHS

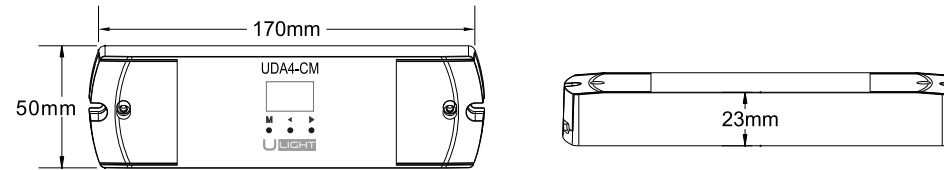
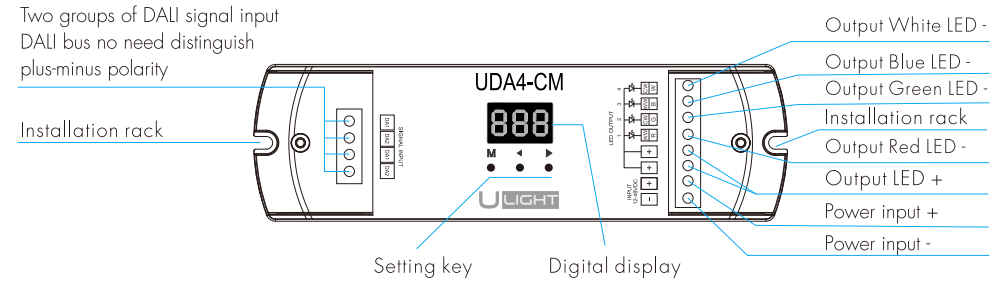
Technical Parameters

Input and Output	
Input voltage	12-48VDC
Output voltage	4 x (3-45)VDC
Output current	4CH, 150-500mA or 350-1200mA/CH
Output power	4 x (0.45-22.5)W (150-500mA) 4 x (1.05-54)W (350-1200mA)
Output type	Constant current
Environment	
Operation temperature	Ta: -30°C ~ +55°C
Case temperature (Max.)	Tc: +80°C
IP rating	IP20
Dimming data	
Input signal	DALI
Dimming range	0-100%
Dimming curve	Logarithmic
PWM Frequency	4000Hz (default)
Warranty and Protection	
Warranty	5 years
Protection	Reverse Polarity Over-heat Short circuit

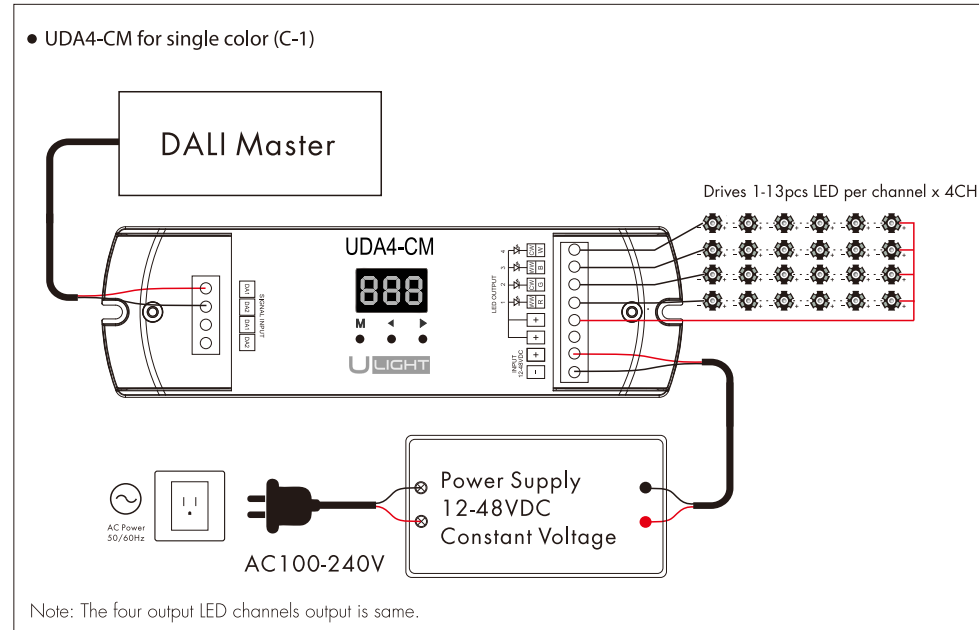
LED Current Selection

UDA4-CM (150-500mA)	Output Current	150mA	200mA	250mA	300mA	350mA	400mA	450mA	500mA	
	Output Voltage	3-45V	3-45V	3-45V	3-45V	3-45V	3-45V	3-45V	3-45V	3-45V
	Output Power/CH	0.45-6.75W	0.6-9W	0.75-11.25W	0.9-13.5W	1.05-15.75W	1.2-18W	1.35-20.25W	1.5-22.5W	
UDA4-CM (350-1200mA)	Output Current	350mA	500mA	600mA	700mA	800mA	900mA	1050mA	1200mA	
	Output Voltage	3-45V	3-45V	3-45V	3-45V	3-45V	3-45V	3-45V	3-45V	
	Output Power/CH	1.05-15.75W	1.5-22.5W	1.8-27W	2.1-31.5W	2.4-36W	2.7-40.5W	3.15-47.25W	3.6-54W	

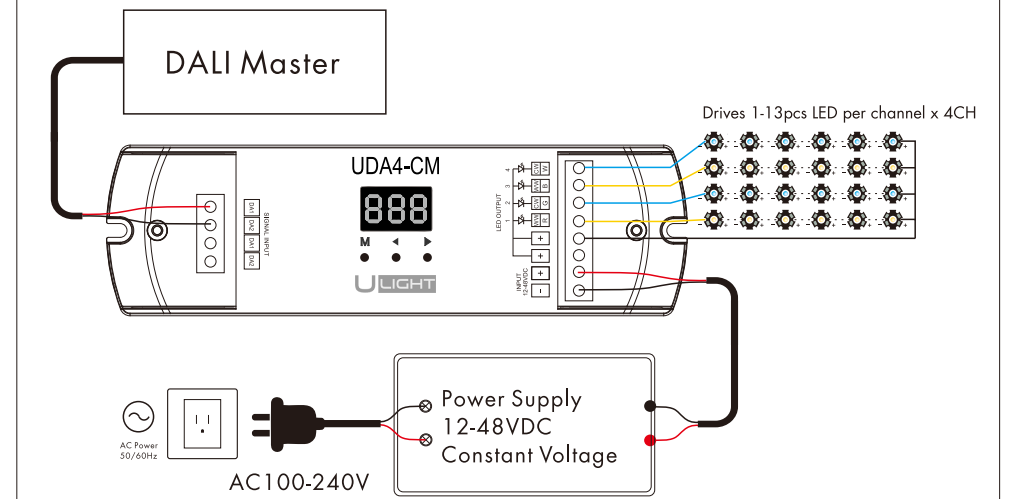
Mechanical Structures and Installations



Wiring Diagram

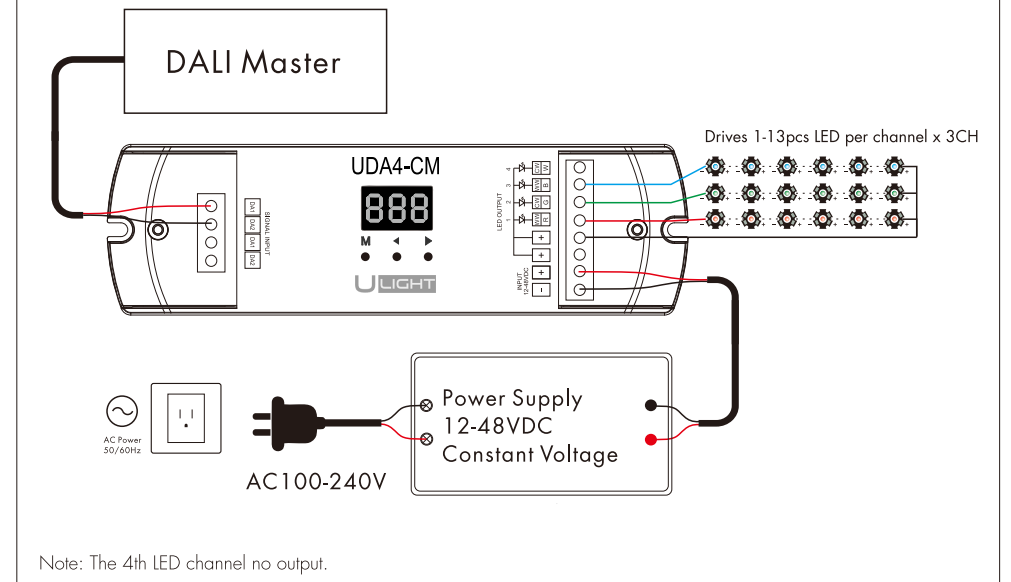


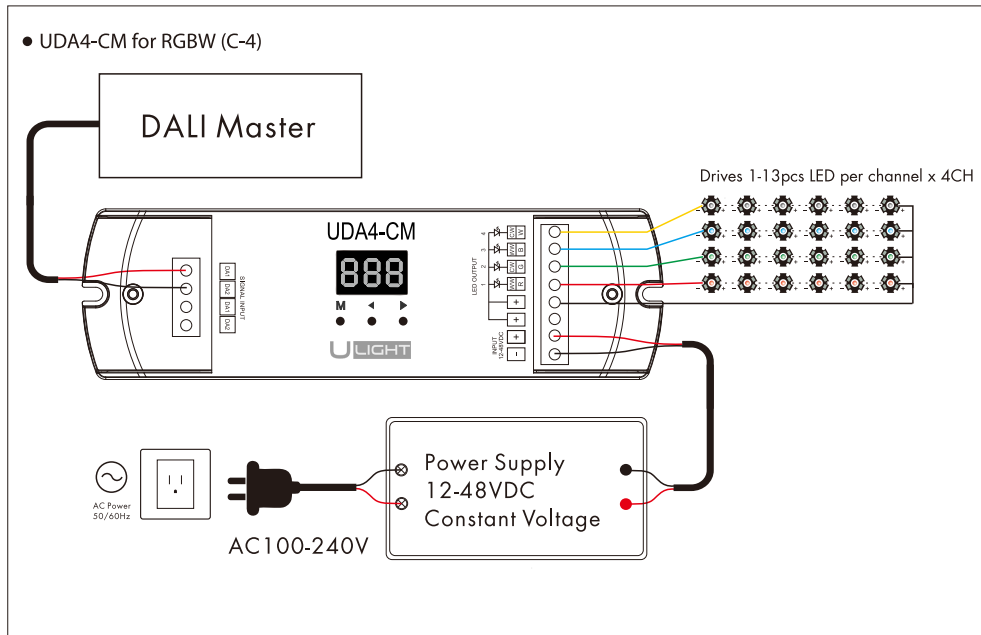
• UDA4-CM for dual color (C-2)



Note: The 3/4 LED channel output is same as 1/2 LED channel.

• UDA4-CM for RGB (C-3)





Operation

Output current setting

- Please select the correct current firstly when the LED load is disconnected.
- Long press M and ◀and▶ key in the same time for 2s, prepare for setup output current.
- For UDA4-C(150-500mA): short press ◀ or ▶ key to switch 150mA("C15"), 200mA("C20"), 250mA("C25"), 300mA ("C30"), 350mA("C35"), 400mA("C40") , 450mA("C45") or 500mA("C50").
- For UDA4-C(350-1200mA): short press ◀ or ▶ key to switch 350mA("C35"), 500mA("C50"), 600mA("C60"), 700mA("C70"),800mA("C80"), 900mA("C90") , 1050mA("CA5") or 1200mA("CC0").
- Press M key or timeout 10s, quit output current setting.

Setting the light type

- The first time you use it, you need to set the light type according to your application needs.
- Press the M button for 2 seconds to set the light type.
- Press the ◀or ▶ key to switch between the single color ("C-1"), dual color ("C-2"), RGB ("C-3") or RGBW ("C-4") light type.
- Short press the M button or timeout for 10 seconds to exit the light type setting.

Light type setting instructions:

When setting C-1 type, DT6 dimming, 4-channel output is the same.

When setting C-2 type, DT8-TC, 3/4 LED channel and 1/2 LED channel output is the same.

When setting C-3 type, DT8-RGB, the 4th channel does not output.

When setting C-4 type, DT8-RGBW, 4 channels are output independently.

Set DALI Address via buttons

- Long press ◀ or ▶ key for 2s, prepare for set the start DALI address, then press ◀ or ▶ key to set the start DALI address.
- Short press M key or timeout 10s, quit start DALI address setting.
- The start DALI address can be manually assigned from 00-63FF.
- by factory defaults, no DALI address is assigned for the dimmer, and digital display shows "AFF".

DALI address assigned by DALI masters

DALI address can also be assigned by DALI Master controller automatically.

Please refer to user manuals of compatible DALI Masters for specific operations.

The digital display will show "AAU" When the DALI master is assigning address.

After address is assigned, the digital display will show the start DALI address"Axx", xx is from 00 to 63.

Using DALI master assign address may result in discontinuous address, the digital display will show the start DALI address"Uxx".

Set PWM frequency

- Long press M & ◀ key for 2s, prepare for set PWM frequency.
- Short press ◀ or ▶ key to switch between 1000Hz("F10"), 2000Hz("F20"), 4000Hz("F40") or 8000Hz("F80").
Higher PWM frequency, will cause lower output current, higher power noise, but more suitable for camera (No flickers for video).
- Short press M key or timeout 10s, quit PWM frequency setting.

Restore factory default parameter

- Long press ◀ and ▶ key for 2s, restore factory default parameter, display "RES".
- Factory default parameter: no DALI address is assigned, DT8-RGBW, PWM frequency is 4000Hz.
- Long press M & ▶ key for 2s, enter fast self-testing, the output channel will be on orderly then all on.

Safety & Warnings

- DO NOT install with power applied to device.
- DO NOT expose the device to moisture.

ВІДМІТКА ПРО ПРОДАЖ

Модель: _____

Дата продажу: _____

Продавець: _____ МП

Споживач: _____



Більш детальна інформація про виріб представлена на сайті:

ulight.com.ua

3 питань, що виникли, дзвоніть: +380 95 691-24-57

