

## ARPJ-DIM72350-R (25W, 350mA, 1-10V)

### FEATURES:

- Dimming Method: 1-10Vdc Dimmer  
1-10K Potentiometer
- Universal AC input / Full range
- Protections: Short circuit / Over current
- Built-in active PFC function
- Small and compact size
- UL1310 Class 2 power unit, pass LPS
- 100% full load burn-in test
- Suitable for LED lighting

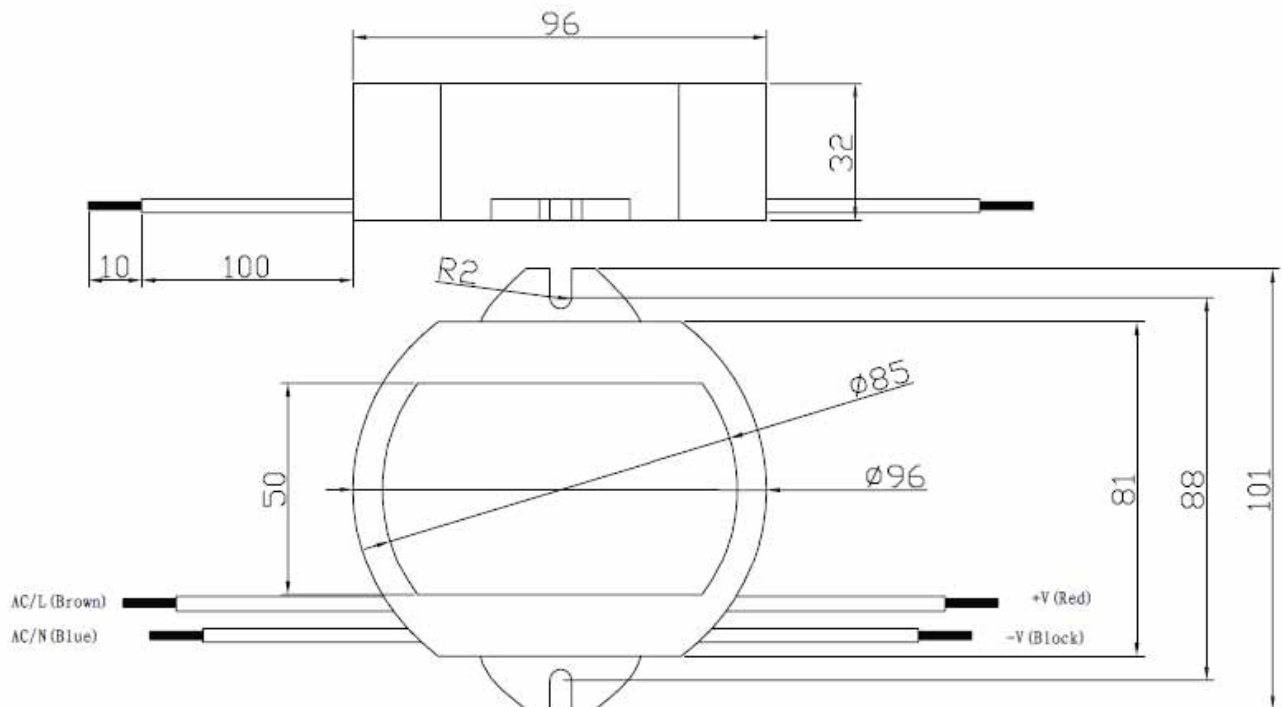


### SPECIFICATION:

OUTPUT	DC VOLTAGE	36V
	DC VOLTAGE RANGE	18-36V
	CURRENT RANGE	700mA
	RATED POWER	25.2W
	RIPPLE & NOISE (max.)	3Vp-p
	VOLTAGE TOLERANCE	±3.0%
	LINE REGULATION	±1.0%
	LOAD REGULATION	±2.0%
INPUT	SETUP, RISE, HOLD UP TIME	1500ms,250ms/230VAC 3000ms,250ms/115ac at full load
	VOLTAGE RANGE	100-240Vac
	FREQUENCY RANGE	47~63Hz
	POWER FACTOR	PF>0.9/230VAC at full load
	EFFICIENCY (Typ.)	82% full load
	SETUP, RISE, HOLD UP TIME	1500ms,250ms/230VAC 3000ms,250ms/115ac at full load
	AC CURRENT	0.6A/100VAC 0.3A/240VAC
	INRUSH CURRENT (max.)	COLD STAT 70A/230VAC
PROTECTION	LEAKAGE CURRENT	0.5mA/240VAC
	OVER CURRENT	Above 105% rated output power. Protection type: Hiccup mode, recovers automatically after fault condition is removed.
ENVIRONMENT	OVER TEMPERATURE	Tj 140°C typically(U1) Detect on main control IC Protection type: Hiccup mode, recovers automatically after temperature goes down
	WORKING TEMP.	-40°C~+50°C
ENVIRONMENT	WORKING HUMIDITY	20~90% RH non-condensing
	STORAGE TEMP., HUMIDITY	-40°C~+80°C, 10~95% RH
	TEMP. COEFFICIENT	±0.03%/°C (0~50°C)
	VIBRATION	10 ~ 500Hz, 2G 10min./1cycle, period for 60min. each along X,Y,Z axes

SAFETY & EMC	SAFETY STANDARDS	Design refer to UL1310 Class 2, TUV EN60950-1, EN61347-2-13, CAN/CSA C22.2 No. 223-M91, meet IP65
	WITHSTAND VOLTAGE	I/P-O/P:3kVAC
	ISOLATION RESISTANCE	I/P-O/P:>100M Ohms / 500VDC / 25~70% RH
	EMI CONDUCTION & RADIATION	Compliance to EN55022 (CISPR22) Class B
	HARMONIC CURRENT	Compliance to EN61000-3-2,-3
	EMS IMMUNITY	Compliance to EN61000-4-2,3,4,5,6,8,11; ENV50204, EN55024, light industry level, criteria A
DIMENSION		Ø96*32mm (L*W*H)

### MECHANICAL SPECIFICATION:



### BLOCK DIAGRAM:

