



LED NEON FLEX SPECIFICATION

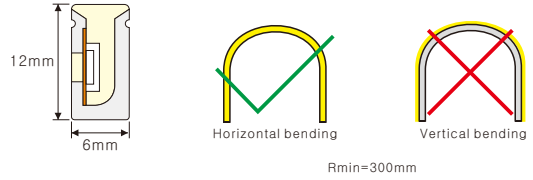
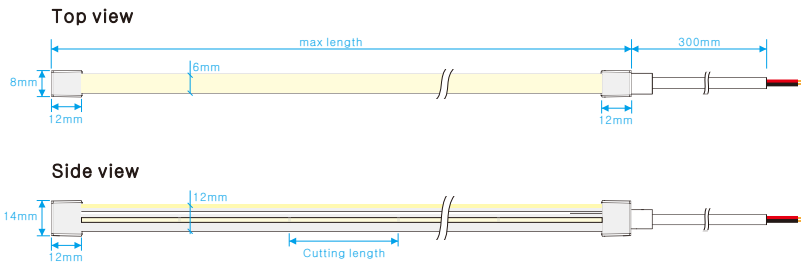
U neon UNS-SIDE-0612-W40-10-CV



- Regular power 5W/m and 10W/m for option
- Max length 20 meters with one end power
- Silicone end cap
- Eight CCT optional from 2100K to 6150K



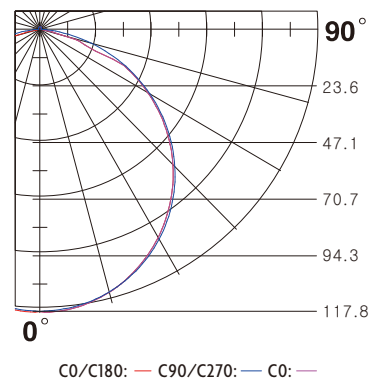
Dimensions & Waterproof



Product specification

Voltage	DC24 V
CRI/Ra	>90
Ambient temperature	-25°C~45°C
Color type	Cutting length (mm)
Single color	50mm
Tunable white	50mm
RGB color	50mm

Polar curve (The data base on 10W 6000K)



White color parameters

Part Number	CCT (K)	Low power(5w/m)		High power(10w/m)	
		(lm/m)	(max length)	(lm/m)	(max length)
▶ UNEON UNS-SIDE-0612-W21	2000-2200K	145	15m	246	10m
▶ UNEON UNS-SIDE-0612-W24	2300-2500K	173	15m	312	10m
▶ UNEON UNS-SIDE-0612-W27	2600-2800K	178	15m	353	10m
▶ UNEON UNS-SIDE-0612-W30	2900-3100K	154	15m	299	10m
▶ UNEON UNS-SIDE-0612-W35	3400-3700K	169	15m	327	10m
▶ UNEON UNS-SIDE-0612-W40	3800-4300K	186	15m	360	10m
▶ UNEON UNS-SIDE-0612-W50	4800-5300K	187	15m	360	10m
▶ UNEON UNS-SIDE-0612-W60	5900-6400K	190	15m	359	10m

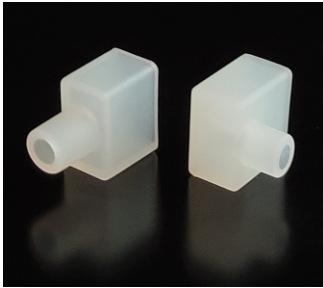
Tunable color parameters

Part Number	CCT (K)	Low power(5w/m)		High power(10w/m)	
		(lm/m)	(max length)	(lm/m)	(max length)
▶ UNEON UNS-SIDE-0612-TW	2000-2300K	58	5m	126	5m
▶ UNEON UNS-SIDE-0612-TW	5000-5500K	88	5m	177	5m
▶ UNEON UNS-SIDE-0612-TW	3400-3700K	158	5m	269	5m

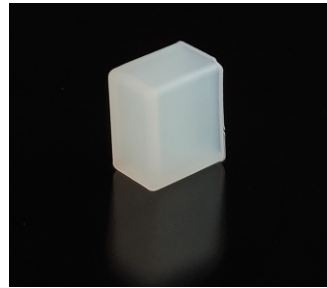
RGB color parameters

Part Number	Color (nm)	Low power(5w/m)		High power(10w/m)	
		(lm/m)	(max length)	(lm/m)	(max length)
▶ UNEON UNS-SIDE-0612-R	620-625nm	82.0	20m	160.0	13m
▶ UNEON UNS-SIDE-0612-G	515-525nm	240.0	15m	398.0	10m
▶ UNEON UNS-SIDE-0612-B	460-465nm	29.7	15m	51.6	10m
▶ UNEON UNS-SIDE-0612-Y	585-595nm	61.4	20m	125.0	13m
▶ UNEON UNS-SIDE-0612-P	-	78.0	15m	144.6	10m
▶ UNEON UNS-SIDE-0612-RGB	15000-30000K	73.0	5m	126.6	5m

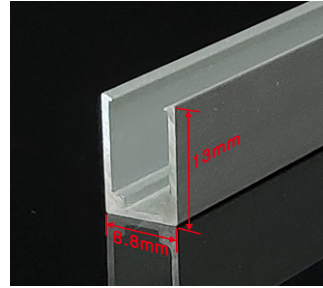
Accessory



Endcap connector with hole



Endcap without hole

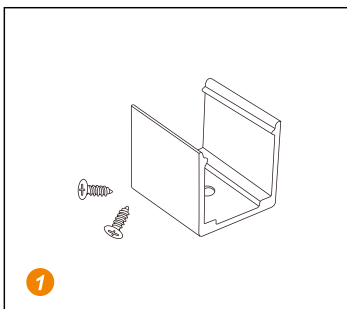


Mounting clip(length: 2cm)
Mounting channel(length: 1m, 2m,3m)

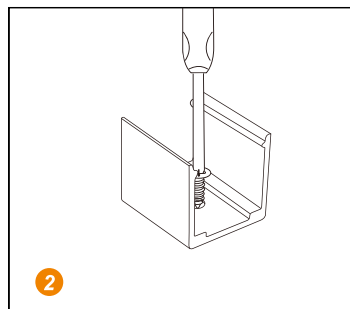


Scissors with angular scale

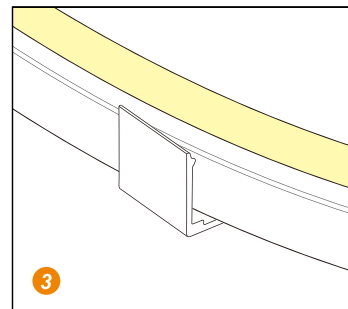
Installation



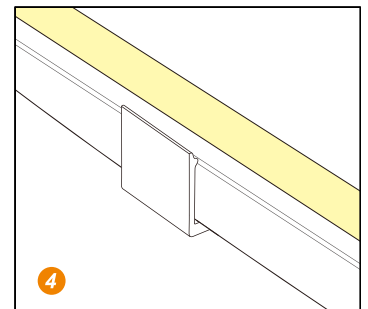
1 Prepare the screws and mounting clips



2 Adjust the fixed clips to the appropriate place, use a screwdriver to fix the screw.



3 Put the light emitting surface upwards, then insert the LED strip into the fixed clips.



4 Fix NEON strip completely into the fixed clip.