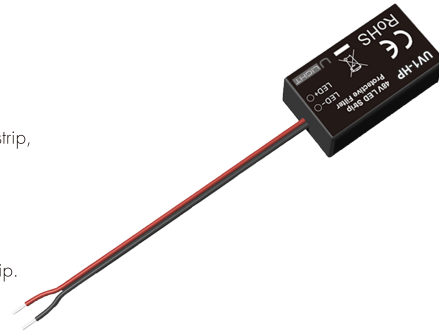


Features

- Dedicated filter for 12-48V constant voltage controller.
- Used to suppress reverse voltage caused by parasitic inductance in LED strip, protecting LED beads from breakdown damage and extending the service life of LED strip.
- 2KHz ~ 8KHz PWM dimming controller supported.
- It is particularly suitable for the protection of 48V constant voltage LED strip.
- It is recommended that the maximum load current of the LED strip does not exceed 8A to avoid affecting the filtering effect.

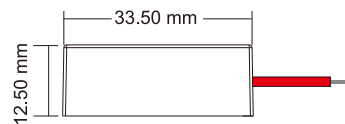
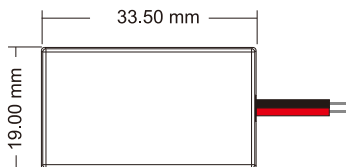


CE RoHS

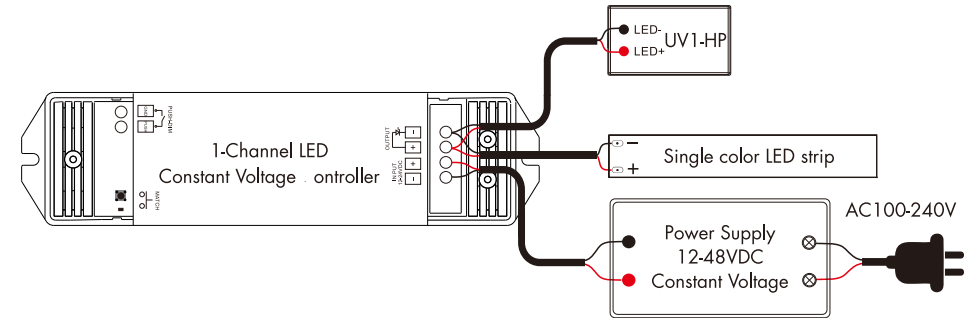
Technical Parameters

Electrical Parameters		Safety and EMC	
Work voltage	12-48VDC	EMC standard	EN IEC 55015/ EN IEC 61547-1/-2 ETSI EN 301 489-1/-17
Environment		Safety standard	EN 61347-1/-2 EN 62493
Operation temperature	Ta: -20°C ~ +55°C	Certification	CE RoHS
IP rating	IP20	Warranty	
Package		Warranty	5 years
Size	L 50 x W 50 x H32mm		
Gross weight	0.014kg		

Mechanical Structures and Installations



Wiring Diagram



Note:

The UV1-HP single channel filter is only compatible with monochrome LED strips. For connecting color temperature/RGB/RGBW LED strips, be sure to use the UV4-HP multi channel filter.

Safety & Warnings

1. The product should be installed and maintained by a professional.
2. Good heat dissipation can extend the service life of the controller. Please ensure good ventilation.
3. Please check whether the output voltage of the power supply used meets the operating voltage of the product.
4. Before powering on, ensure that all wire connections and polarity are correct and secure to avoid damaging the product and LED lights.
5. In case of malfunction, please return the product to the supplier. Do not attempt to repair this product yourself.