

Панель Rotary SR-2805RCCT-RF-IN (3V, MIX)



PRODUCT INTRODUCTION

- Adjust brightness from 0.1-100% & color temperature
- Control range <30M
- Long time span battery for 2 years
- Wireless, easy to change battery

PARAMETER

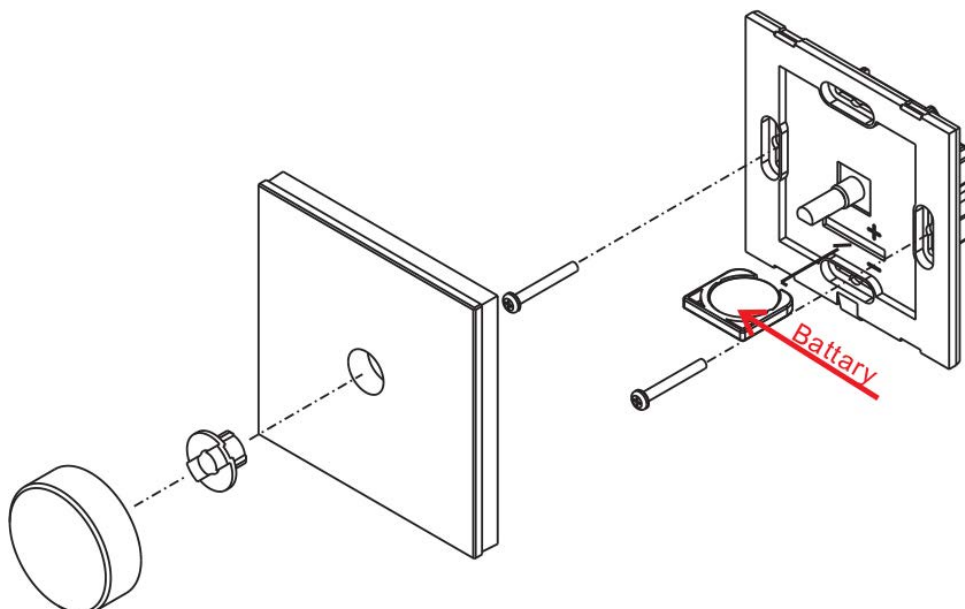
• Remote

Part No.	Operation Voltage	Operation Frequency	Remarks
SR-2805RCCT	3VDC	868MHz	RF Wireless

• Receiver

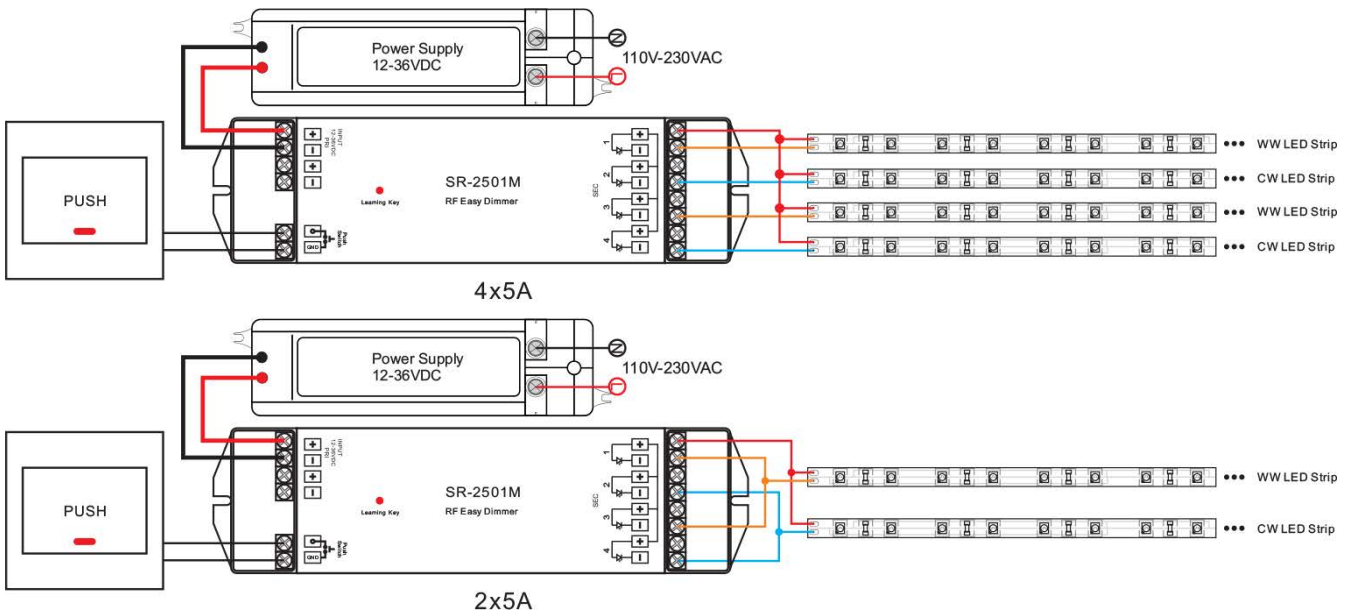
Part No.	Iuput Voltage	Current	Output	Remarks
SR-2501M	12-36VDC	4x5A	4x(60-180)W	Constant voltage
SR-2501MEA	12-36VDC	4x8A	4x(96-288)W	Constant voltage
SR-2502M	12-36VDC	4x350mA	4x(4.2-12.6)W	Constant current
SR-2503M	12-36VDC	4x350mA	4x(8.4-25.2)W	Constant current

INSTALLATION

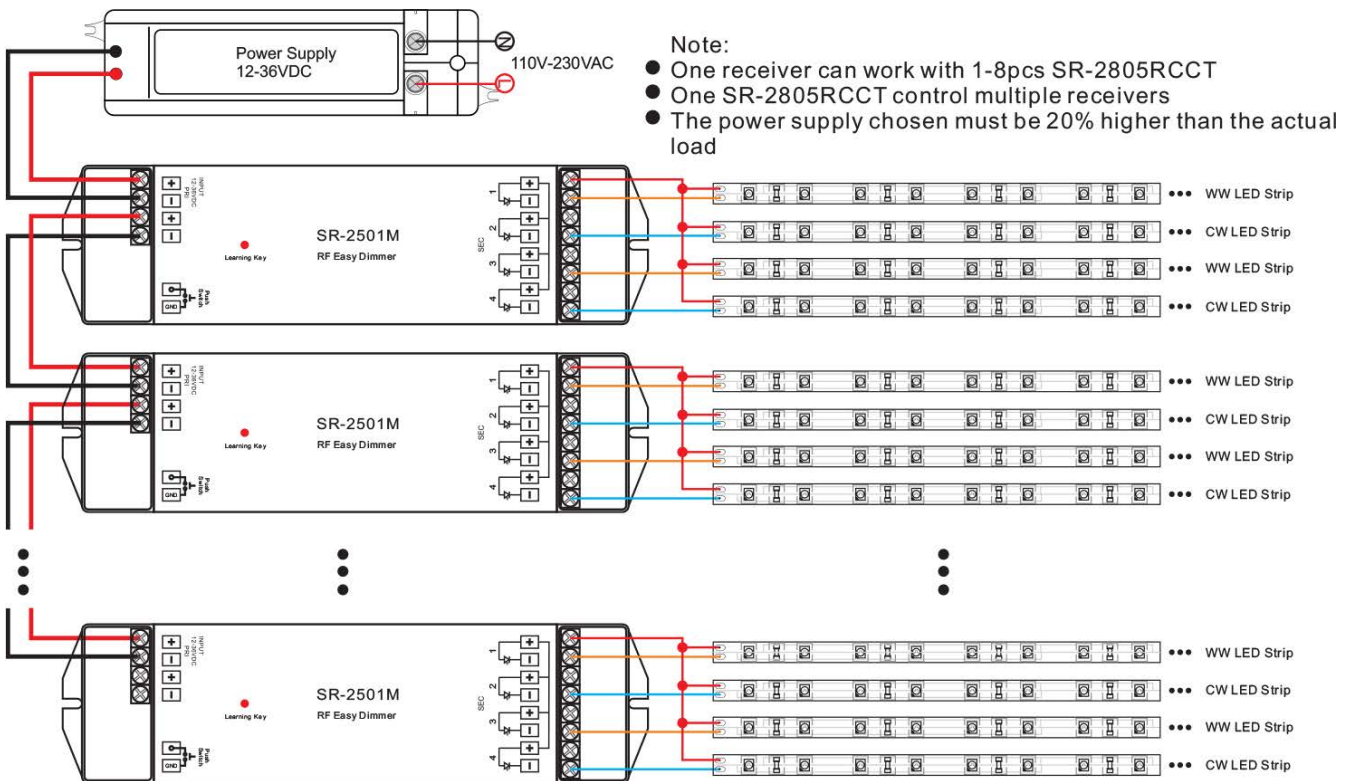


WIRING DIAGRAM

Receiver Connection Diagram for Single Unit




Receiver Connection Diagram for Multiple Units



OPERATION

Please pair remote and receiver, after finishing connecting receivers with LED lights correctly, base on diagram above.

1. Press shortly the learning Key ● on the receiver, then push the rotary button ●. Once successfully learn, the LED lights will blink on the receiver. Do the same for the other receivers if you use them, you can add as many optional receivers as you want.

2. Short press once rotary button  to switch ON/OFF.
Adjust dim brightness by the rotary button from left to right 0.1-100%
Adjust dim brightness by the rotary button from right to left 100-0.1%
Long press rotary button, the light will be 100% brightness

Double click rotary button, it will enter into dimming color temperature mode, dim WW and CW associatively, for example if WW is 70%, CW is 30%. Double click again will enter into dimming brightness mode.

SAFETY & WARNINGS

1. The product shall be installed and serviced by a qualified person.
2. IP20. Please avoid the sun and rain. When installed outdoors, please ensure it is mounted in a water proof enclosure.
3. Always be sure to mount this unit in an area with proper ventilation to avoid overheating.
4. Please check if the output voltage of any LED power supplies used comply with the working voltage of the product.
5. Never connect any cables while power is on and always assure correct connections to avoid short circuits before switching on.
6. Please ensure that the cable is secured tightly in the connector
7. For update information please consult your supplier.