

ARPJ-DIM85350-Y (30W, 350mA, PFC, Triac)

ARPJ-DIM60500-Y (30W, 500mA, PFC, Triac)

ARPJ-DIM42700-Y (30W, 700mA, PFC, Triac)



FEATURES

- 2 years warranty
- High efficiency 88%
- Active PFC>0.95
- Economical design
- Triac dimmable 170~264VAC
- Protections: Short-circuit /Over-load /Over-voltage /Over-temperature
- Working temperature : -25°C ~ + 40°C
- Isolation CLASS II, no F.G
- IP40 design
- 2~3 times burn-in tests (+45°C at full load with over 14 hours)

SPECIFICATION

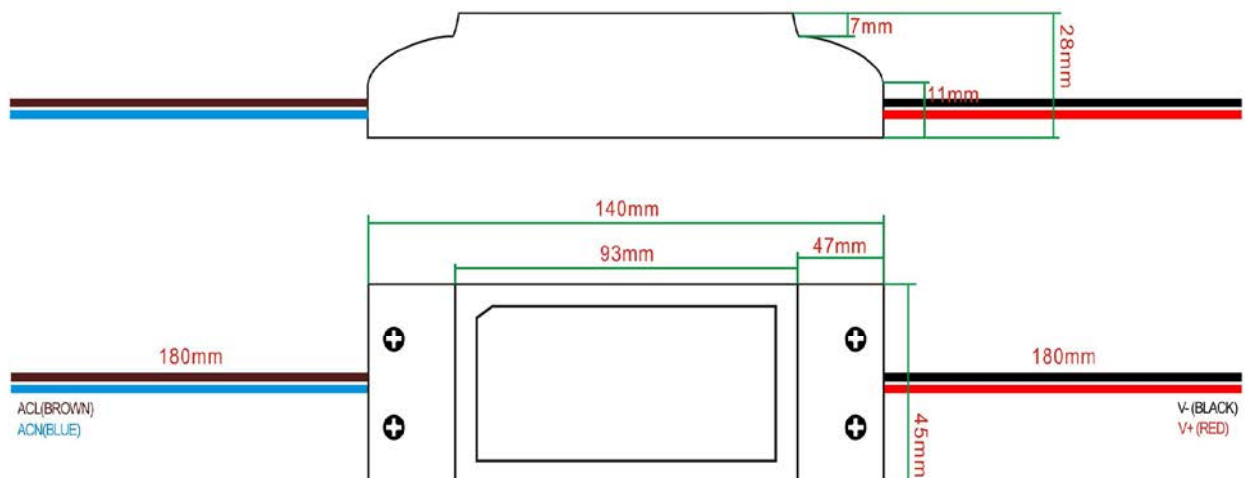
Model		ARPJ-DIM85350-Y	ARPJ-DIM60500-Y	ARPJ-DIM42700-Y
Input	Voltage Range	170~264VAC / 90~132VAC		
	Frequency Range	47~63Hz		
	Power Factor	PFC>0.98 at 110VAC, PFC>0.95 at 230VAC, PFC>0.93 at 264VAC		
	Efficiency (Note 4)	88%	87%	86%
	AC Current	0.20A ~ 0.13A		
	Inrush Current	Cold Start at 40A/230VAC		
	Leakage Current	<0.5mA at 230VAC		
Output	DC Current (Note 1)	350 mA	500 mA	700 mA
	Output Voltage Range (Note 2)	60~85VDC	42~60VDC	30~42VDC
	Rated Power	30W	30W	30W
	Ripple and Noise (Max)(Note 3)	1.0Vp-p	1.0Vp-p	800mVp-p
	Voltage Tolerance	±3.0%	±3.0%	±3.0%
	Current Accuracy	±3.0%	±3.0%	±2.0%
	Line Regulation	±1%	±1%	±1%
	Load Regulation	±1.0%	±1.0%	±1.0%
	Set-up, Rise Time	2200ms 80ms/230VAC, 2500ms 80ms/110VAC		
	Hold-up Time	50ms/230VAC, 25ms/110VAC		
	Dimmable Function	AC side with triac dimmable control		
Protection	Current protection	±1% (current limiting type)		
	Over-Voltage	110% ~ 130% (Hiccup mode, recovers automatically after faulty problem is removed)		
	Over-load	130% (Hiccup mode, recovers automatically after faulty problem is removed)		
	Short Circuit	Hiccup mode, recovers automatically after faulty problem is removed		
	Over-temperature	75°C±10°C (Hiccup mode, recovers automatically after faulty problem is removed)		

Model		ARPJ-DIM85350-Y	ARPJ-DIM60500-Y	ARPJ-DIM42700-Y
Working Environment	Working Environment	-25°C ~ +40°C		
	Working Humidity	20~90% RH non-condensing		
	Storage Environment & Humidity	-25°C ~ +50°C		
	TEMP. Coefficient	±0.05%/°C (0~50°C)		
	Vibration	10 ~ 500Hz, 2G 10min./1cycle, period for 60min. each along X, Y, Z axes		
Safety & EMC	Safety standards	CE: EN-61347-1, EN61347-2-13, IP40, ROHS Tests, Design refer to UL8750		
	Withstand voltage	I/P-O/P: 3KVAC, IP-FG:1.5KVAC, OP-FG:		
	Isolation resistance	I/P-O/P IP-FG OP-FG: 100M Ohms/500VDC		
	EMC Emission	Compliance to EN55015: 2007, EN61547:1995+A1:2000; EN61000-3-2: 2006; EN61000-3-3: 2008		
	EMC Immunity	Compliance to EN55015 EN61547 EN61000-4-2,3,4,5,6,8,11		
Others	Life Span (Note 5)	≥50000Hrs (25~30°C)		
	No Load power consumption	≤1.0W		
	MTBF (Note 6)	250K hrs min, MIL-HDBK-217F (25°C)		
	Dimension (Note 7)	140*40*28 mm (L*W*H)		
	Packing (Note 8)	50pcs/carton		
	Weight	0.13Kg/pc		

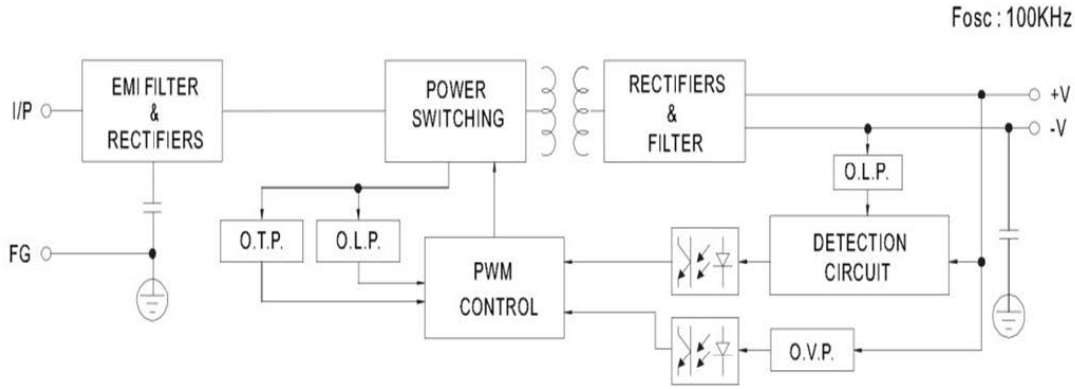
All parameter are measured at normal temperature (+25 ~ +28°C)

1. The rated current can be customized, such as 320mA / 600mA... can be customized
2. The output voltage we recommed is 70% ~ 100% use, it can also be used down to 60% but tolerance will be more larger
3. Ripple & Noise are measured at 20kHz of bandwidth by using a 12" twisted pair-wire terminated with a 0.1 uf & 47uf parallel capacitor (at full load)
4. The efficiency measured at Max output voltage, and 230VAC with full load, if with 110VAC the efficiency will be lowered 0.5% ~ 1.5%; Working 1~2 hours, efficiency will be higher 0.5% ~ 1% than the initial stage
5. This series is mainly for indoor application use
6. This measured at 120VAC, 80% ~85% load with environmental temperature about +25°C ~ +30°C, the outer housing temperature with +55°C or so.
7. This measured at 120VAC, 80% ~85% load with environmental temperature about +25°C~+30°C, the outer housing temperature with +55°C or so.
8. More details see the following mechanical draft.

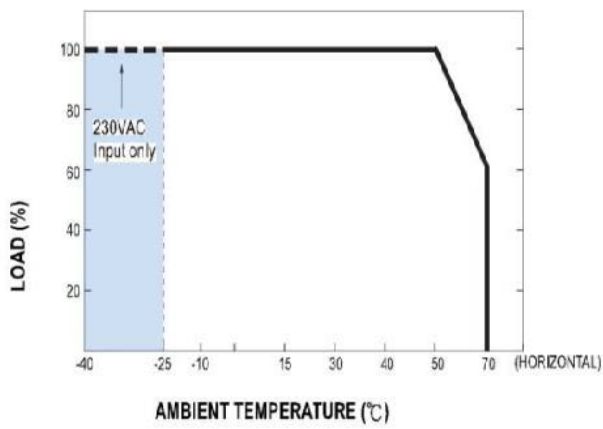
MECHANICAL SPECIFICATION



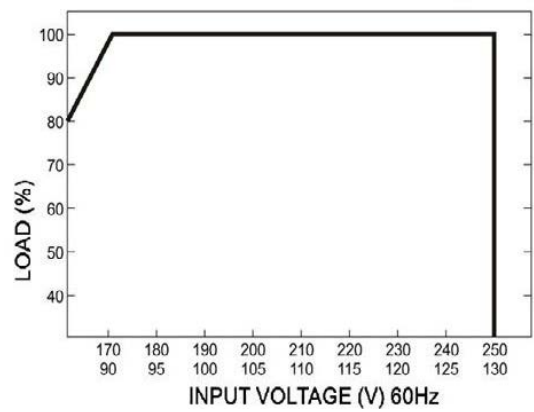
BLOCK DIAGRAM



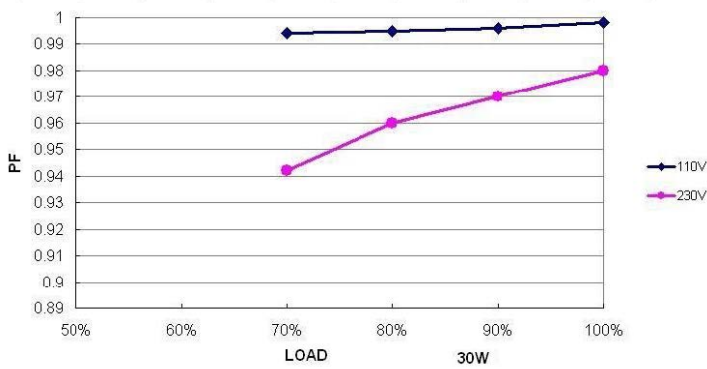
DERATING CURVE



STATIC CHARACTERISTICS



POWER FACTOR CHARACTERISTICS



EFFICIENCY & LOAD OF (700mA) (110VAC / 230VAC)

