

Диммер LT-T1 (12/24V,120/240W) Сенсорный пульт LT-T1 (8 зон)



T1 2.4GHZ LED touch controller is the latest upgrade of LTECH, and achieve the leading global RF wireless sync technology dimming controller. The control system consists of two parts, the RF remote control and the receiver, realize the signal synchronization on unlimited receivers, zone controlled arbitrarily(not more than 8 zones) within effective distance, RF remote control can realize the function of touch dimming, press dimming, shortcut brightness options and DIY modes. receiver can automatically adapt to the input voltage of DC 5V-24V. widely used for all LED lights with current-limiting resistance, such as single color LED module, LED tape and SMD flexible strip and so on.

1. Technical Specs

Remote Control

- Model: T1
- Input voltage: DC5V built-in Lithium battery
- Working current: <30mA
- Working frequency: 2.4GHZ
- RF remote distance: 30m
- Remote option: Sync or zone control
- transmitting rate: 500Kbps
- Battery capacity: 1000mAh
- Standby time:1 year
- Normal using time: 30 days
- Charge time: <4 hours
- Number of Charge cycles: 500 times
- Dimensions: L145×W55×H22(mm)
- Package Size: L165×W76.5×H55(mm)
- Weight (G.W): 200g

Receiver

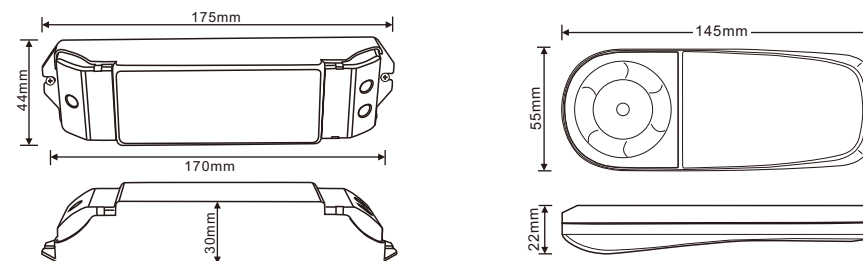
- Power supply chosen: DC CV SMPS
- Model: T1-5A/T2-5A
- Input voltage: DC5V~DC24V
- Max current load: 5A +5A
- Max output power: 50W/120W/240W(5V/12V/24V)
- Dimming range:5~100%
- Sync quantity: no quantity limit
- Compatible remote control : workable with T1 /T2 remote control
- Working temperature: -30℃~55℃
- Dimensions: L175×W44×H30(mm)
- Package Size: L178×W48×H33(mm)
- Weight (G.W): 110g

1

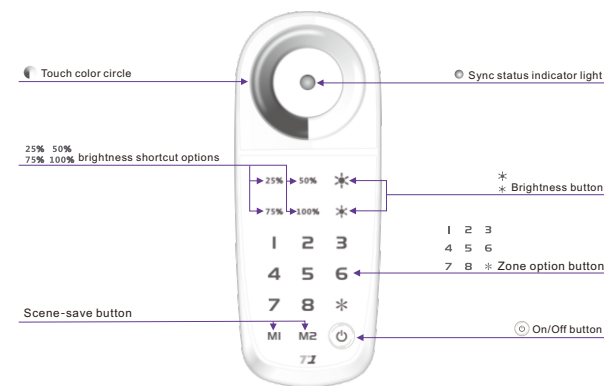
2. Performance Features

1. Adopt 2.4GHZ RF wireless transmission technology, which is applicable for license and patent free worldwide.
2. Upgraded to dual-core driver, make it 10 times of processing speed. can process the wireless data transmission in complicated and multiple levels.
3. Advanced RF wireless sync control technology, no sync signal wire between receiver, sync capability is stable and reliable.
4. Realize the synchronous change on unlimited receivers or zone asynchronous dimming, solve the problem of wiring when sync or zone control.
5. Remote control adopts the capacitive touch control technology on the wheel, make the dimming more intellectualized and humanized.
6. The remote control built-in sync-status indicator, which can show the bright status of the LED synchronously. it's currently only Ltech product has this capability.
7. Color changing scene mode and preset storage function.
8. USB charging port.

3. Product size



4. Operation panel and component instruction:



2

5. The charging methods for remote control

1. When charging, please connect USB cable to the mobile charger or computer with the USB interface.
2. The downside white light of 3 in 1 white LED indicator flickers while charging, and the upside white indicator light is on, means the charging is finished. The remote control can be chargeable even at the OFF state, on which the indicator light is black.
3. No memory effect in the lithium battery of remote control. Follow the standard charging procedure, no need for overcharge for the first 3 times .
4. Indicator light flickers(the right side white indicator light is on) meaning low battery and need to be charged. charging in low battery will affect life of battery.
5. Please make sure a 40% battery on the remote control for stored if unused for long period of time , and it needs to be charged at least every half year, otherwise the capacity of the battery would be decreased or the battery gets damaged.



6. Detailed key functions

The remote control has 18 function buttons and 1 black and white touch circle.


The learning of remote control:

- Learning ID:**
1. Нажать на кнопку ON/OFF на ПДУ. Светодиодный индикатор включится.
 2. Подключить питание к контроллеру.
 3. Нажать на кнопку ON/OFF на контроллере в течение 3 секунд, до тех пор, пока не раздастся продолжительный (не короткий) звуковой сигнал. Продолжительный звуковой сигнал означает, что контроллер вошел в режим Обучения.
 4. Не отпуская кнопку ON/OFF на контроллере, одновременно нажмите кнопку выбора зон 1-10 на ПДУ до тех пор, пока светодиодный индикатор на ПДУ не вспыхнет 3 раза зеленым цветом. В это же время раздастся звуковой сигнал, который означает, что контроллера привязан к ПДУ.

Cancelling ID: Press the key 1~8 on the remote control over 5 seconds, until the white light on the right side of remote control flashed 3 times, meanwhile the buzzer sounds, means the controlling between remote control and the receiver is cancelled.

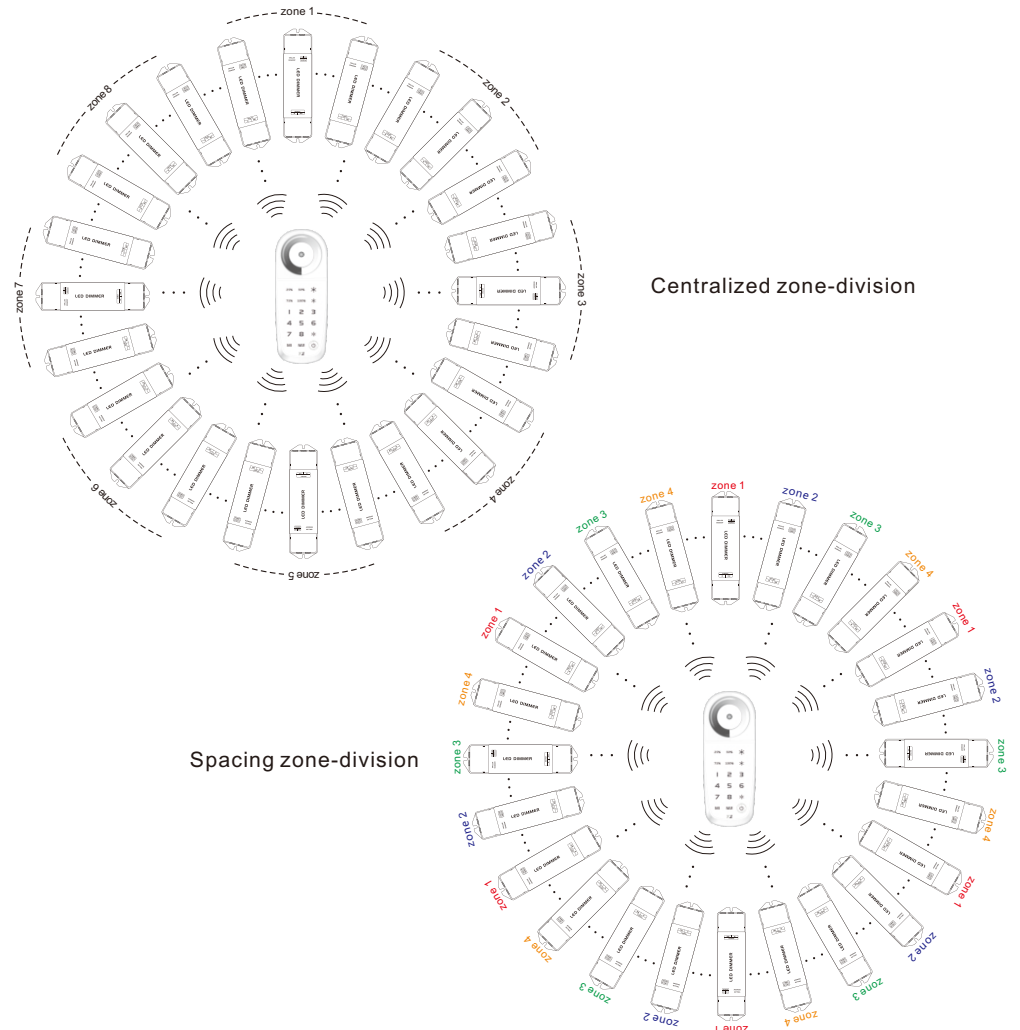
Remote control sign	Button	Description
	ON/OFF	<ul style="list-style-type: none"> • Turn on or turn off the current zone receiver.
25% 50% 75% 100%	BRIGHTNESS SHORTCUT OPTIONS	<ul style="list-style-type: none"> • Press these 4 keys to adjust the brightness you want rapidly.
	BRIGHTNESS BUTTON	<ul style="list-style-type: none"> • Press these 2 keys to increase or decrease the brightness in current zone control. • Keep pressing to adjust brightness continuously.
1 2 3 4 5 6 7 8 *	ZONE OPTION BUTTON	<ul style="list-style-type: none"> • Select one of the zone: Press keys 1-8 on the remote control. • Select zone control arbitrarily :Press"*+any numeral+*", eg: select 456 as a zone ,should press" *456* ". • All choose(8 zones): Press" * " twice . • when a zone is under inactive state, Press the Zone option button to light up that zone.
M1 M2	SCENE-SAVE BUTTON	<ul style="list-style-type: none"> • Press for 3 seconds, can record the scene mode in the 8 current zone control. M1 M2 can record two kinds of scene mode.

7. System Diagram:

-  Unlimited receivers can be installed in per zone within the effective distance, no wiring needed between the receivers, the installed number of LED receivers In per zone can be increased or decreased at any time based on the actual requirements. if you want to increase or decrease the receivers, just activate or cancel the control ID on the remote control will be fine, no any changes and affects on other receivers.

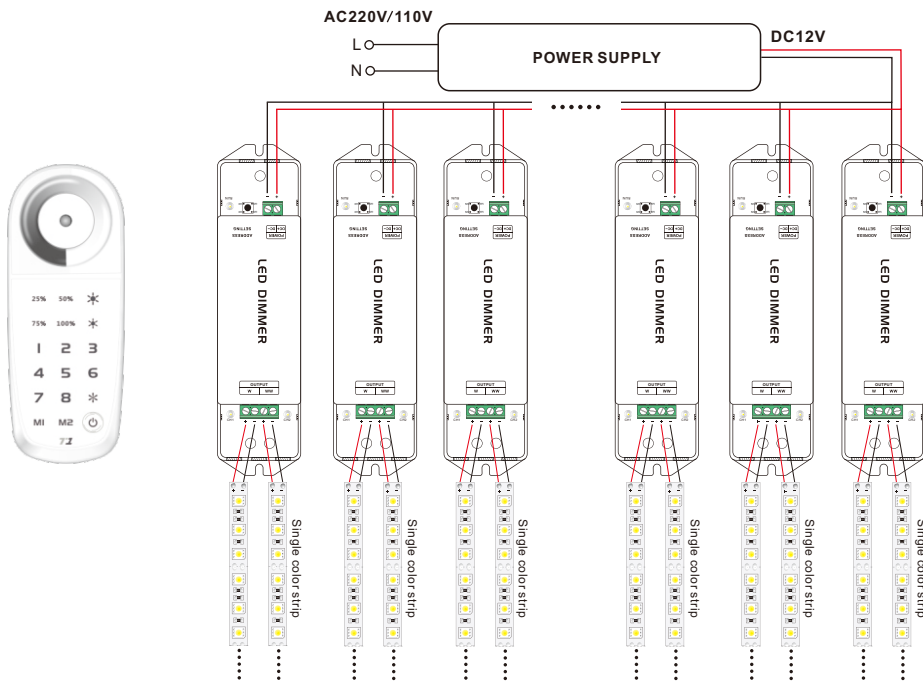
After installation ,customers have three zone-control choices via remote control :

1. Choose one zone separately :anyone zone in 1-8 zones.
2. Choose combination zone-control arbitrarily: the arbitrary zone-control combination are available in 1-8 zone, such as 246.678 etc.
3. All choose: choose all 1-8 zone.

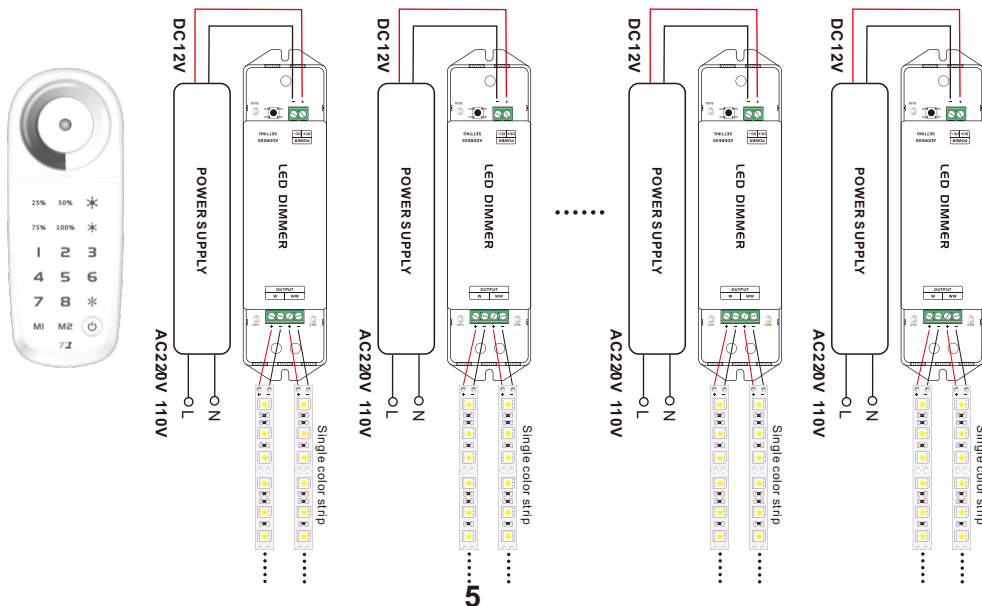


8. Wiring diagram

1、Multiple receivers are powered by one power supply :



2、Each receiver is powered by one power supply independently :



9. Attention

1. The product shall be installed and serviced by a qualified person.
2. This product is non-waterproof. Please avoid the sun and rain. When installed outdoors please ensure it is mounted in a water proof enclosure.
3. Good heat dissipation will prolong the working life of the controller. Please ensure good ventilation.
4. Please check if the output voltage of any LED power supplies used comply with the working voltage of the product.
5. Please ensure that adequate sized cable is used from the controller to the LED lights to carry the current. Please also ensure that the cable is secured tightly in the connector to avoid the accidents due to overheat and poor contact on the wire.
6. Ensure all wire connections and polarities are correct before applying power to avoid any damages to the LED lights.
7. If a fault occurs please return the product to your supplier. Do not attempt to fix this product by yourself.

10. Warranty Agreement

1. We provide lifelong technical assistance with this product:
 - A 3 year warranty is given from the date of purchase. The warranty is for free repair or replacement and covers manufacturing faults only.
 - For faults beyond the 3 year warranty we reserve the right to charge for time and parts.
2. Warranty exclusions below:
 - Any man-made damages caused from improper operation, or connecting to excess voltage and overloading.
 - The product appears to have excessive physical damage.
 - Damage due to natural disasters and force majeure.
 - Warranty label, fragile label and unique barcode label have been damaged.
 - The product has been replaced by a brand new product.
3. Repair or replacement as provided under this warranty is the exclusive remedy to the customer. Ltech shall not be liable for any incidental or consequential damages for breach of any stipulation in this warranty.
4. Any amendment or adjustment to this warranty must be approved in writing by Ltech only.

★ This manual only applies to this model. Ltech reserves the right to make changes without prior notice.