

# ARPV-LGxx300 xxx 300W, PFC) Серия 300Вт

## Features

- Universal AC input/Full range
- Protections: Short circuit / Overload / Over voltage / Over temperature
- Built\_in active PFC function
- Fully encapsulated with IP67 level
- UL60950 Class 2 power unit, pass LPS
- Cooling by free air convection
- 100% full load burn-in test
- High reliability
- Suitable for LED lighting and moving sign applications
- Compliance to worldwide safety regulations for lighting
- Damp / wet location outdoor application
- 2 years warranty

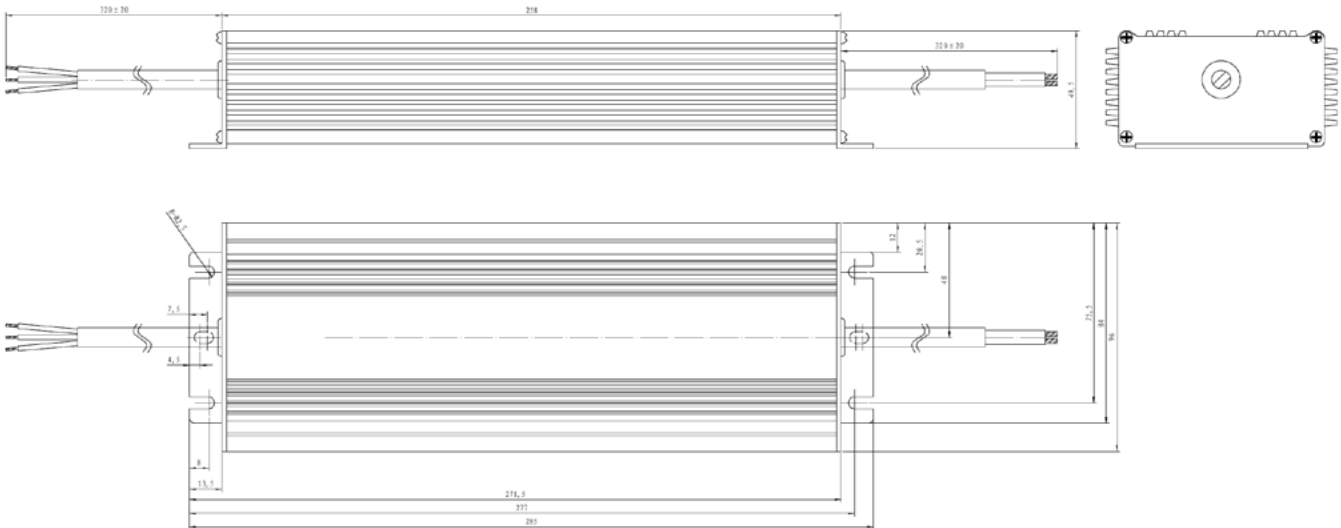


## Specification

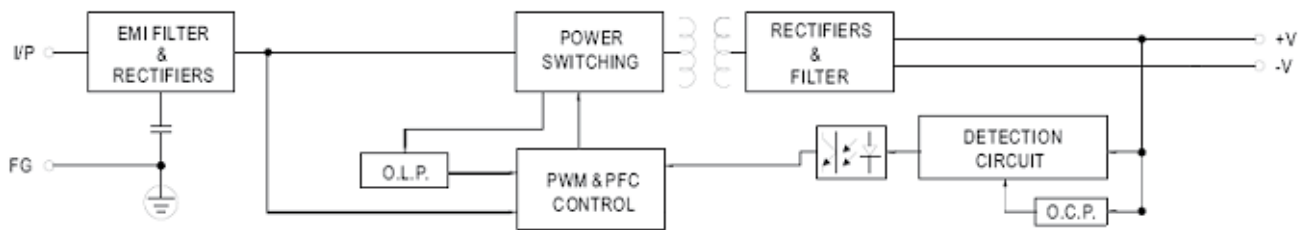
	MODEL	LGA300P-12	LGA300P-24	LGA300P-36
OUTPUT	DC VOLTAGE	12V	24V	36V
	RATED CURRENT	25A	12.5A	8.33A
	RATED POWER	300W		
	RIPPLE & NOISE (max.)	max:3% VO Measured by 20 MHz bandwidth oscilloscope and the output paralleled a 0.1 uF ceramic capacitor and a 10 uF electrolytic capacitor.		
	VOLTAGE TOLERANCE	±3.0%		
	LINE REGULATION	±1.0%		
	LOAD REGULATION	±2.0%		
	SETUP,RISE TIME	1000ms, 80ms / 230VAC 1000ms, 80ms / 115VAC at full load		
	HOLD UP TIME (Typ.)	60ms / 230VAC 30ms / 115VAC at full load		
	INPUT	VOLTAGE RANGE	100 ~ 240VAC	
FREQUENCY RANGE		47~63Hz		
POWER FACTOR		PF>0.95/230VAC PF>0.98/115VAC at full load PF≥0.9 at 75 ~ 100% load, 115VAC / 230VAC		
EFFICIENCY(Typ.)		87%	88%	89%
AC CURRENT(at full load)		3.1A / Measured at full load and 115 Vac input. 1.55A / Measured at full load and 230 Vac input.		
INRUSH CURRENT (max.)		65A At 230Vac input 25 Cold Start		
LEAKAGE CURRENT		<1mA / 240VAC		
PROTECT ON	OVER CURRENT	95 ~ 108% Protection type : Constant current limiting, recovers automatically after fault condition is removed		
	SHORT CIRCUIT	Hiccup mode, recovers automatically after fault condition is removed		
	OVER VOLTAGE	14.4~18V	29~36V	43~54V
		Protection type : Shut down o/p voltage, re-power on to recover		
	OVER TEMPERATURE	Tj 140 typically(U1) Detect on main control IC Protection type : Shut down o/p voltage, recovers automatically after temperature goes down		

ENVIRONMENT	WORKING TEMP.	-30 ~ +50 @ full load ; +70 @ 50% load
	WORKING HUMIDITY	20~95% RH non-condensing
	STORAGE TEMP., HUMIDITY	-40~80°C, 10~95% RH
	TEMP.COEFFICIENT	±0.03%/°C (0~50°C)
	VIBRATION	10 ~ 500Hz, 5G 12min./1cycle, period for 72min. each along X, Y, Z axes
SAFETY & EMC	SAFETY STANDARDS	Design refer to UL1310 Class 2, TUV EN60950-1, EN61347-2-13, CAN/CSA C22.2 No. 223-M91, meet IP67
	WITHSTAND VOLTAGE	I/P-O/P:3.0KVAC I/P-FG:1.5KVAC O/P-FG:0.5KVAC
	ISOLATION RESISTANCE	I/P-O/P:>100M Ohms / 500VDC / 25~70% RH
	EMI CONDUCTION & RADIATION	Compliance to EN55015, EN55022 (CISPR22) Class B
	HARMONIC CURRENT	Compliance to EN61000-3-2 Class C ( ≥75% load) ; EN61000-3-3
	EMS IMMUNITY	Compliance to EN61000-4-2,3,4,5,6,8,11; ENV50204, EN55024, EN61547, light industry level , criteria A
DIMENSION	285x96x49.5mm (LxWxH)	

## Mechanical specification



## Block Diagram



## Derating Curve:

