

Контроллер DMX-Q01 (USB, 132 канала, ПДУ 18кн)

FEATURES

- Meets DMX512(1990)
- 512 DMX Outputs (PC) or 132 (Stand Alone)
- 1 ARNET Universe
- Default scene triggering when power up
- Optional Infra-Red remote control triggers when using IR Kit
- USB 2.0 Connection, program by software
- Various Output Interface, XLR-3 and RJ45
- Stand Alone Memory capacity: 1500 steps to 45 steps
- Compatible with any DMX fixture or DMX LED driver.
- Euchips 8 software Compatible



GENERAL INTRODUCTION

DMX-Q01 is a full-color LED DMX control system which focuses on indoor and outdoor decorative lighting, which can be used stand alone or with computer. It comprises scene-edit software. You can edit various lighting effects by downloading the programme which edit according to your special requirement from your PC. This control system can fulfill 256 grey levels for each R,G,B color, totally 16.77 million real full-color.

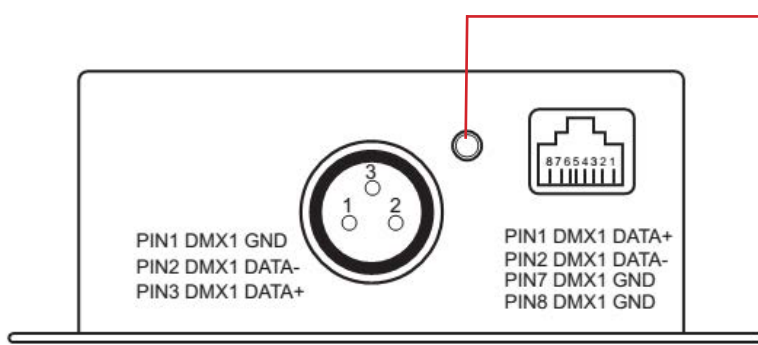
The software has been developed specially for architectural lighting and features easy to use effects which can be dropped onto timelines, along with multi-zone and synchronization allowing you to program a project with multiple rooms and areas with ease.

TECHNICAL PARAMETERS

- Input Voltage: 5V DC, 450mA (via USB Interface)
- Power Consumption: < 2W
- Connection: Mini USB
- Memory: 1500 steps Max
- Output connector: XLR3, RJ45, T.Block
- Transmission signal: DMX512 (1990)
- Output channels: 512 DMX channels
- Stand Alone mode: 132 channels
- Lamp type: Wallwashing light, Tube light, Cube light, etc.
- OS Requirement: Windows XP/Vista/Seven 32/64 1Ghz CPU, 512 MB RAM
- Environment: IP20, -25°C to +70°C
- Certifications: CE, ROHS
- Package Size: 90(mm)*70(mm)*50(mm)
- G.W.: 230g
- N.W.: 160g

INTERFACE INSTRUCTION

● Front Face

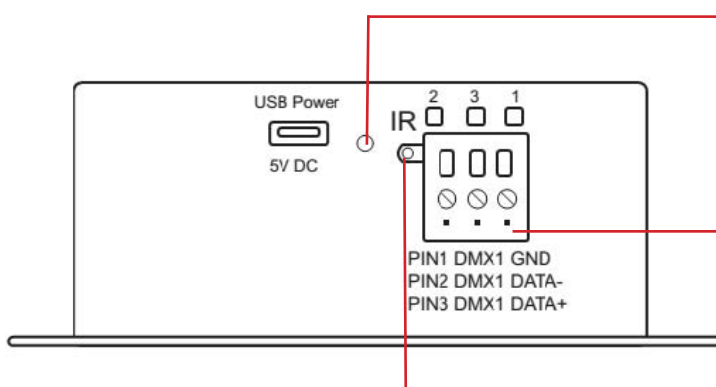


Red DMX Signal LED

OFF: No DMX signal to the DMX line
ON: DMX is ON and DMX signal is sent or received

Flashing: DMX Signal Speed is slow

● Rear Face



Green USB Signal LED

OFF: Interface not powered (check the USB cable or the power supply).

ON: Interface powered

Flashing Slow: USB communication ready.

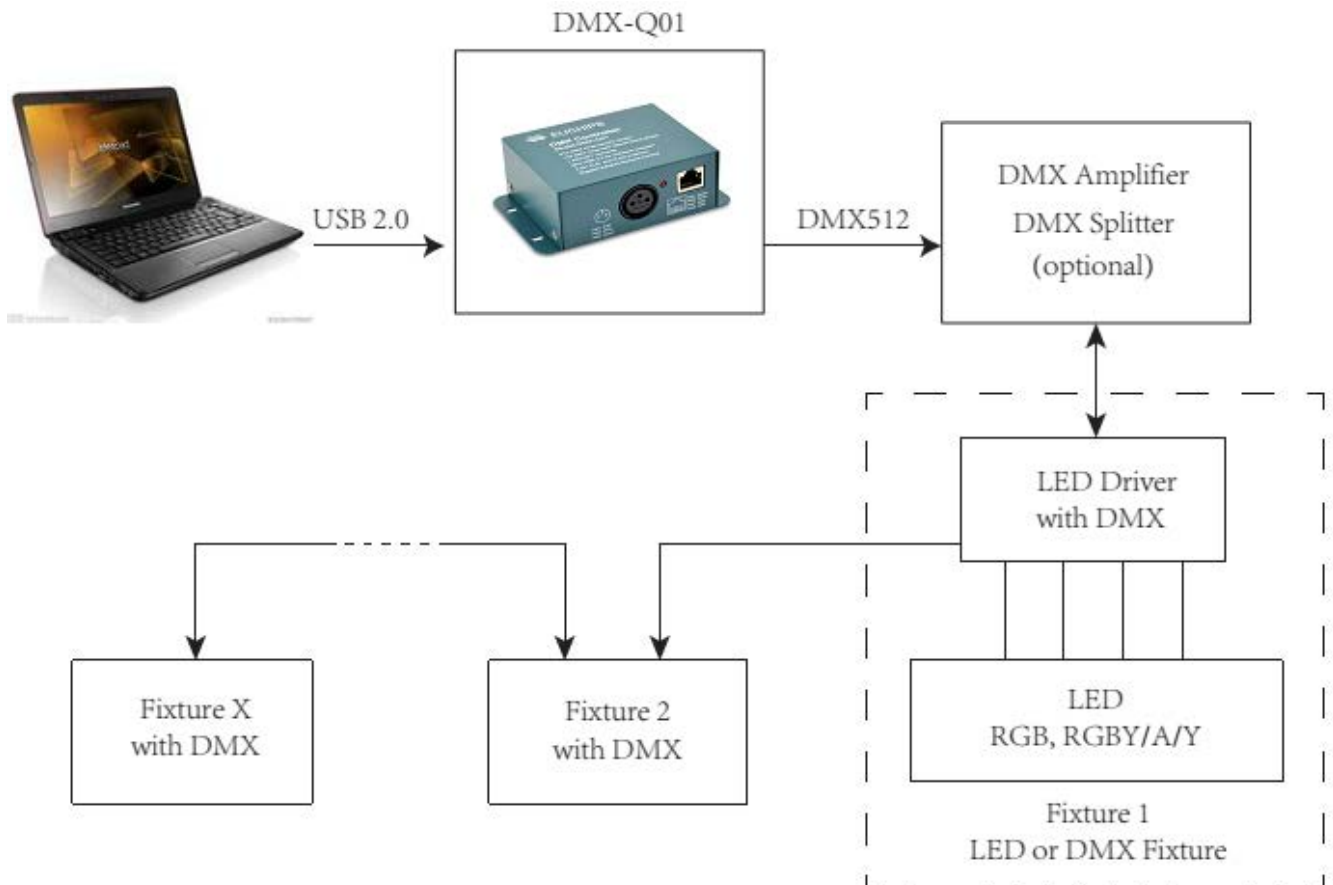
Flashing Fast: The Stand Alone mode is activated.

Terminal Block

IR Receiver LED

Optional feature. Requires an IR remote control unit.

RECOMMENDED DMX512 INSTALLATION



LIVE USE WITH COMPUTER



STAND ALONE USE



SOFTWARE

Euchips 8 has evolved over the years for architectural lighting control. It only requires a few minutes to setup the software and gain full control of any kind of lighting.

