



# LED NEON FLEX SPECIFICATION

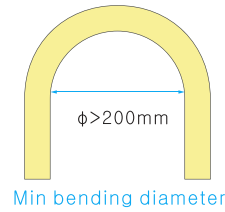
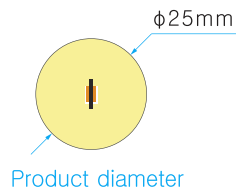
360° Silicone NEON ND25 24V



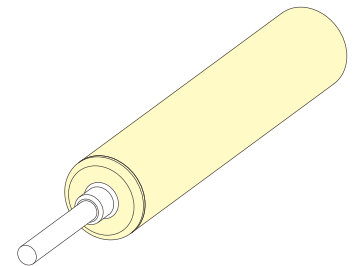
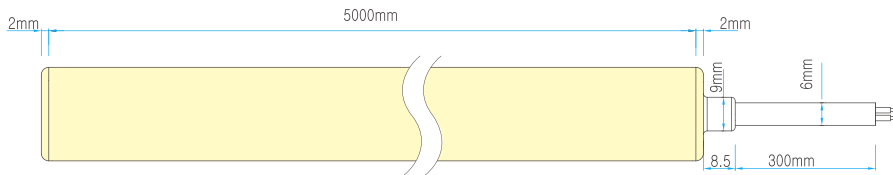
- 360° uniform round-glowing design
- Eight CCT optional from 2100K to 6000K
- Max length 5 meters with one end power



## DIMENSIONS & WATERPROOF

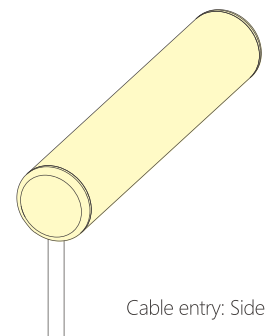
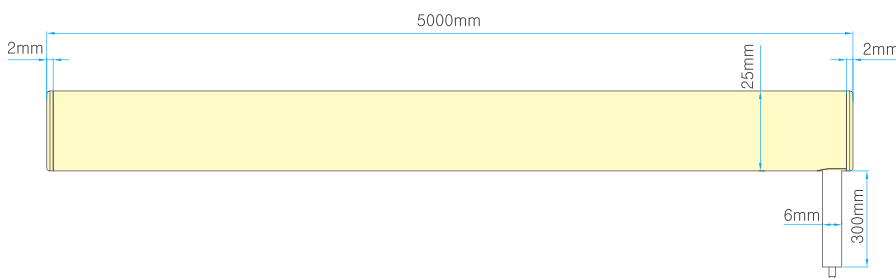


### Front entry Integral End cap (IP65)



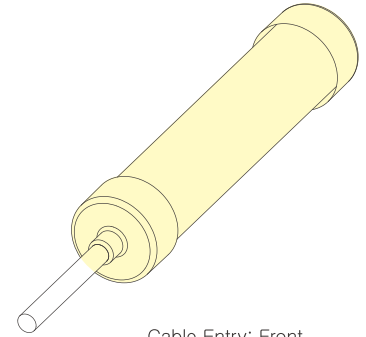
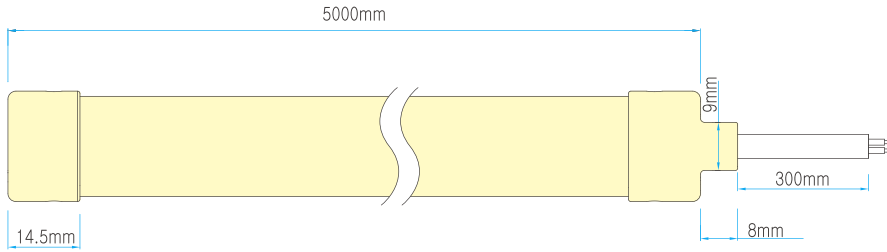
Cable entry: Front

### Side entry Integral End Cap (IP65)



Cable entry: Side

### Silicone End Cap(IP65)



Cable Entry: Front

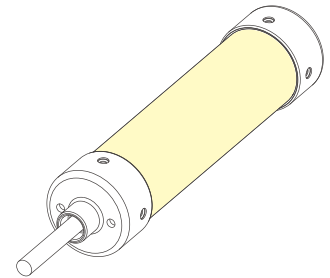
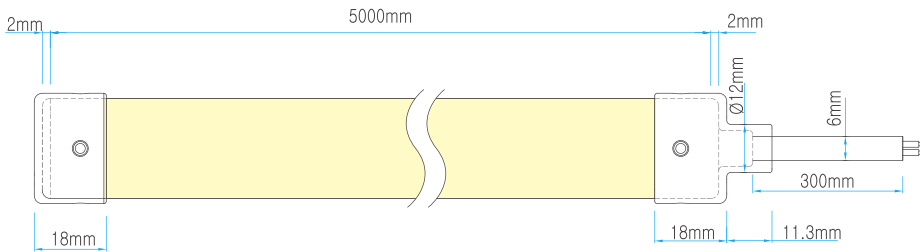


The Head



The End

### Metal End Cap (IP65)



Cable Entry : Front



The Head



The End

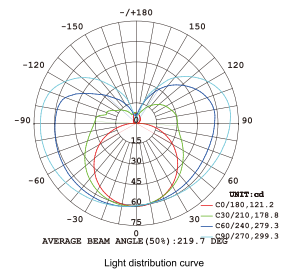
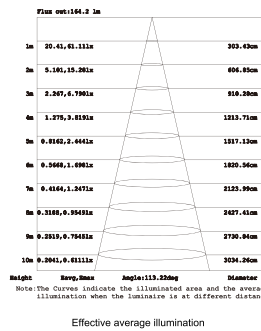


The metal guard coil is unavailable if fitted the metal end cap

## PRODUCT SPECIFICATION

|                     |                 |
|---------------------|-----------------|
| Voltage             | DC24 V          |
| CRI/Ra              | >90             |
| Ambient temperature | -25°C~45°C      |
| Color Type          | Unit length (m) |
| Single color        | 50mm            |
| Tunable white       | 50mm            |
| RGB color           | 50mm            |
| RGBW color          | 50mm            |

## Light distribution curve



Note: The above data is based on the test results of the single white 3000K led strip.

**Note:** Only support factory-customized length, not on-site cutting!

## WHITE COLOR PARAMETERS

| Part Number    | CCT (K)  | Low power(5w/m) |              | High power(10w/m) |              |
|----------------|----------|-----------------|--------------|-------------------|--------------|
|                |          | (lm/m)          | (max length) | (lm/m)            | (max length) |
| ▶ UNS-ND25-W21 | 2100±100 | 256             | 5m           | 551               | 5m           |
| ▶ UNS-ND25-W24 | 2400±100 | 272             | 5m           | 525               | 5m           |
| ▶ UNS-ND25-W27 | 2700±100 | 276             | 5m           | 517               | 5m           |
| ▶ UNS-ND25-W30 | 3000±100 | 284             | 5m           | 529               | 5m           |
| ▶ UNS-ND25-W35 | 3500±200 | 306             | 5m           | 600               | 5m           |
| ▶ UNS-ND25-W40 | 4000±300 | 298             | 5m           | 556               | 5m           |
| ▶ UNS-ND25-W50 | 5000±300 | 309             | 5m           | 604               | 5m           |
| ▶ UNS-ND25-W60 | 6000±300 | 302             | 5m           | 586               | 5m           |

## TUNABLE COLOR PARAMETERS

| Part Number   | CCT (K)    | Low power(5w/m) |              | High power(10w/m) |              |
|---------------|------------|-----------------|--------------|-------------------|--------------|
|               |            | (lm/m)          | (max length) | (lm/m)            | (max length) |
| ▶ UNS-ND25-TW | 2700 (WW)  | 124             | 5m           | 258               | 5m           |
| ▶ UNS-ND25-TW | 5000 (W)   | 127             | 5m           | 262               | 5m           |
| ▶ UNS-ND25-TW | 3500(WW+W) | 250             | 5m           | 517               | 5m           |

## RGB COLOR PARAMETERS

| Part Number     | Color (nm)        | Low power(5w/m) |              | Medium power(10w/m) |              |
|-----------------|-------------------|-----------------|--------------|---------------------|--------------|
|                 |                   | (lm/m)          | (max length) | (lm/m)              | (max length) |
| ▶ UNS-ND25-R    | Red(620-625nm)    | 114             | 5m           | 246                 | 5m           |
| ▶ UNS-ND25-G    | Green(515-525nm)  | 289             | 5m           | 502                 | 5m           |
| ▶ UNS-ND25-B    | Blue(460-465nm)   | 61              | 5m           | 114                 | 5m           |
| ▶ UNS-ND25-Y    | Yellow(585-595nm) | 97              | 5m           | 209                 | 5m           |
| ▶ UNS-ND25-P    | Pink              | 210             | 5m           | 409                 | 5m           |
| ▶ UNS-ND25-RGB  | RGB               | 145             | 5m           | 308                 | 5m           |
|                 |                   | <b>(16w/m)</b>  |              | <b>CRI (Ra)</b>     |              |
| ▶ UNS-ND25-RGBW | RGBW              | 518             | 5m           | 90                  |              |

White color CCT: 2200±100K/2700±100K/3200±200K/4500±300K/5500±300K/6500±500K

## Product accessories



-Name: ND25 –Surface mounting with open PC clips  
 -Model: ND25-IA01  
 -Attachment: Transparent PC mounting clips, Tapping screws, Expandable rubber plugs



-Name: ND25 – Surface mounting with PC profile  
 -Model: ND25-IA02  
 -Attachment: Transparent PC mounting profile, Tapping screws, Expandable rubber plugs



-Name: ND25 –"—" type hanging mounting with open PC clips  
 -Model: ND25-IA03  
 -Attachment: Transparent PC mounting clips, Kit of hanging rope, Screws



-Name: ND25 –"—" type hanging mounting with PC profile  
 -Model: ND25-IA04  
 -Attachment: Transparent PC mounting profile, Kit of hanging rope, Screws



-Name: ND25 –"I" type hanging mounting  
 -Model: ND25-IA05  
 -Attachment: Kit of "I" type hanging mounting, Tapping screws, Expandable rubber plugs



-Name: ND25 – "U" type hanging mounting  
 -Model: ND25-IA06  
 -Attachment: Kit of "U" type hanging mounting, Tapping screws, Expandable rubber plugs



-Name: ND25 – "I" type hanging mounting with rope  
 -Model: ND25-IA07  
 -Attachment: Kit of "I" type hanging mounting with rope, Tapping screws, Expandable rubber plugs



-Name: ND25 – Connector with side outlet  
 -Model: ND25-IA08  
 -Attachment: Metal connector with side outlet, Tapping screws



-Name: ND25 – Connector  
 -Model: ND25-IA09  
 -Attachment: Metal connector, Tapping screws

## Product accessories



-Name: ND25 – Surface mounting with closed PC clips  
 -Model: ND25-IA10  
 -Attachment: "Q" type transparent PC clips, Transparent PC pedestals with one hole, Tapping screws, Expandable rubber plugs



-Name: ND25—"—" type hanging mounting with closed PC clips  
 -Model: ND25-IA11  
 -Attachment: "Ω" type transparent PC clips, Transparent PC pedestals with one hole, Kit of hanging rope, Machine screws



-Name: ND25 – Surface mounting with concealed PC clips  
 -Model: ND25-IA12  
 -Attachment: Transparent PC pedestals with two holes, Transparent PC pedestals with five holes, Tapping screws, Tapping screws, Expandable rubber plugs



-Name: ND25—"—" type hanging mounting with concealed PC clips  
 -Model: ND25-IA13  
 -Attachment: Transparent PC pedestals with five holes, Tapping screws, Kit of hanging rope, Machine screws



-Name: ND25—"—" type adjustable hanging mounting with open PC clips  
 -Model: ND25-IA14  
 -Attachment: Transparent PC mounting clips, Machine screws, Kit of telescopic rod



-Name: R25—"—" type adjustable hanging mounting with PC profile  
 -Model: R25-IA15  
 -Attachment: Transparent PC mounting profile, Machine screws, Kit of telescopic rod



-Name: ND25—"—" type adjustable hanging mounting with closed PC clips  
 -Model: ND25-IA16  
 -Attachment: "Ω" type transparent PC clips, Transparent PC pedestals with one hole, Kit of telescopic rod



-Name: ND25—"—" type adjustable hanging mounting with concealed PC clips  
 -Model: ND25-IA17  
 -Attachment: Transparent PC pedestals with five holes, Tapping screws, Kit of telescopic rod, Machine screws



-Name: ND25 side outlet transparent connector  
 -Model: ND25-IA18  
 -Attachment: Screws, PMMA transparent side outlet connector

## Product accessories



-Name: ND25 side outlet transparent connector with lifting rope  
 -Model: ND25-IA19  
 -Attachment: Screws,Kit of hanging rope, Expandable rubber plugs, Tapping screws,PMMA transparent side outlet connector:



-Name: ND25 transparent connector  
 -Model: ND25-IA20  
 -Attachment : Screws,PMMA transparent connector:



-Name: ND25 transparent connector with lifting rope  
 -Model: ND25-IA21  
 -Attachment: Screws,Kit of hanging rope, Expandable rubber plugs, Tapping screws,PMMA transparent connector:

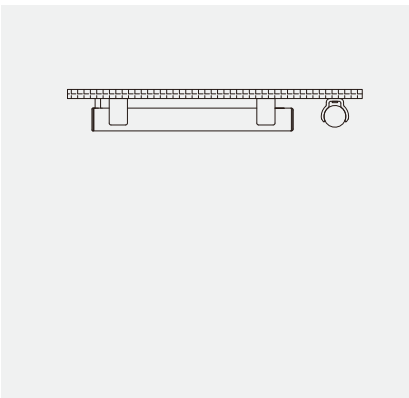


-Name: ND25-Horizontal hanging circular tube 1M  
 -Model: ND25-IA22  
 -Attachment: Screws,Kit of hanging rope, Expandable rubber plugs,Tapping screws,PMMA transparent circular tube:

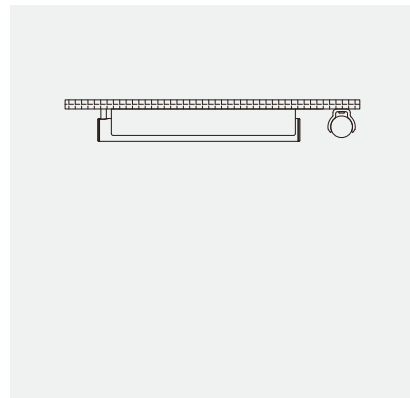


-Name: ND25-Horizontal hanging circular tube 2M  
 -Model: ND25-IA23  
 -Attachment: Screws,Kit of hanging rope, Expandable rubber plugs,Tapping screws,PMMA transparent circular tube:

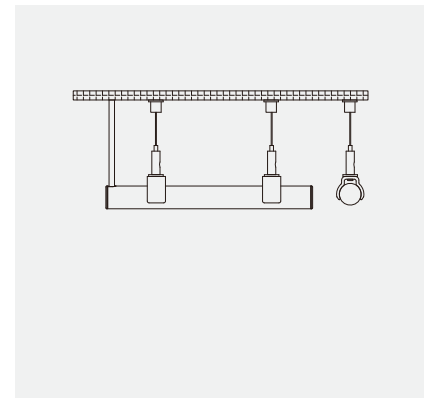
## Installation method



ND25 -Surface mounting with open PC clips (ND25-IA01)

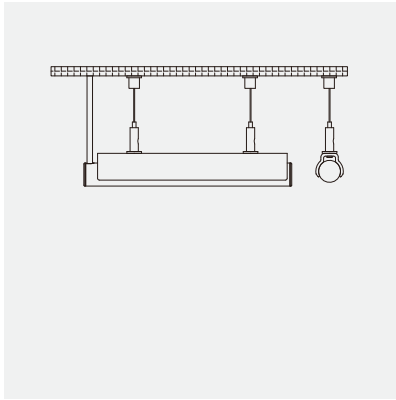


ND25 -Surface mounting with open PC clips (ND25-IA02)

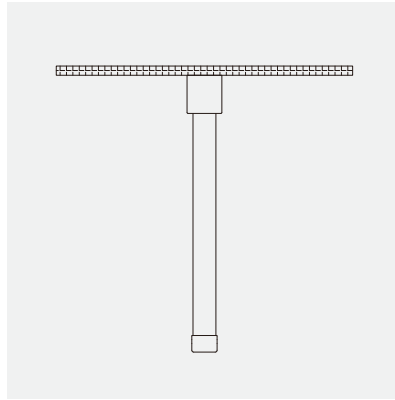


ND25 -"- type hanging mounting with open PC clips (ND25-IA03)

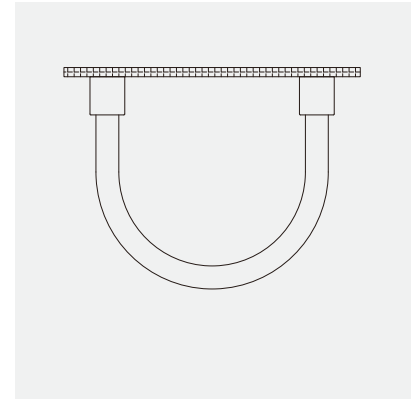
Installation method



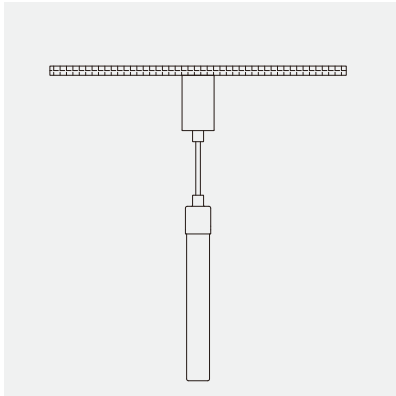
ND25 -“- type hanging mounting with PC profile (ND25-IA04)



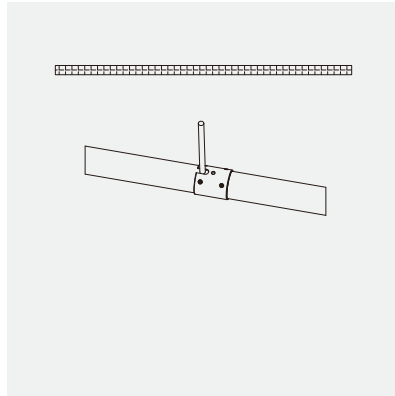
ND25 -“|“ type hanging mounting (ND25-IA05)



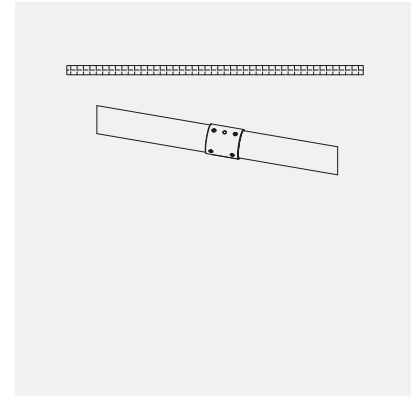
ND25 -“U“ type hanging mounting (ND25-IA06)



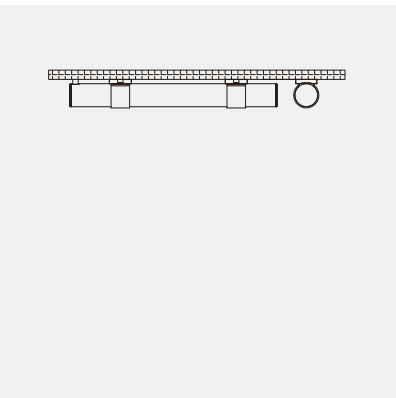
ND25 -“|“ type hanging mounting with rope (ND25-IA07)



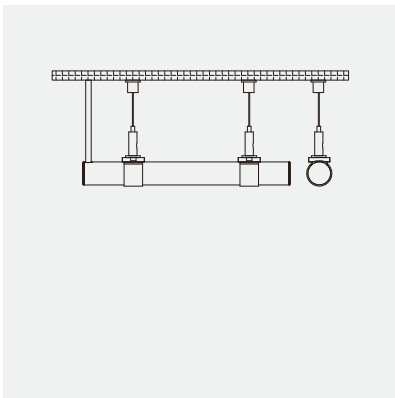
ND25 -Connector with side outlet (ND25-IA08)



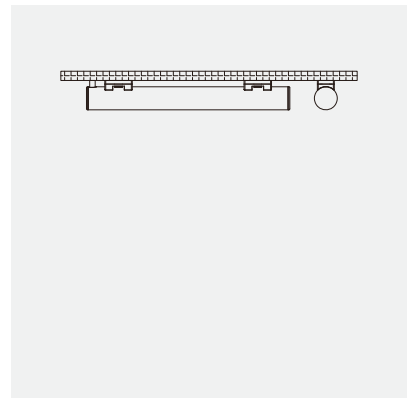
ND25 -Connector (ND25-IA09)



ND25 -Surface mounting with closed PC clips (ND25-IA10)



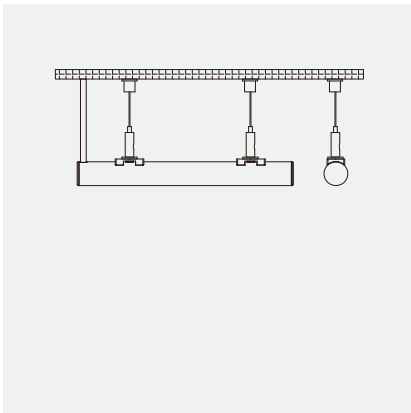
ND25 -“- type hanging mounting with closed PC clips (ND25-IA11)



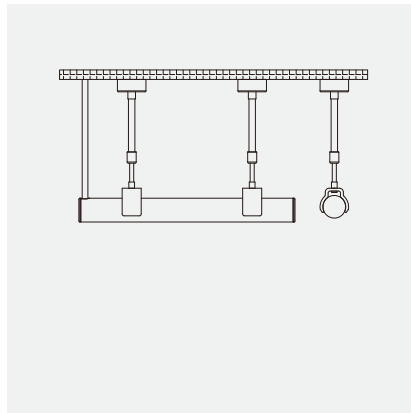
ND25 -Surface mounting with concealed PC clips (ND25-IA12)



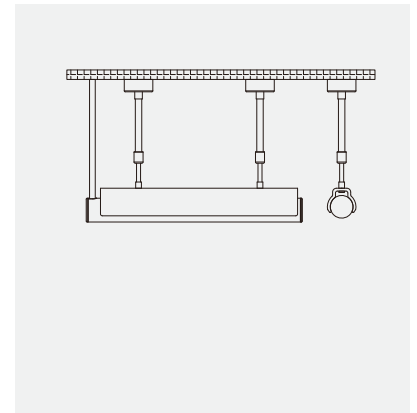
Installation method



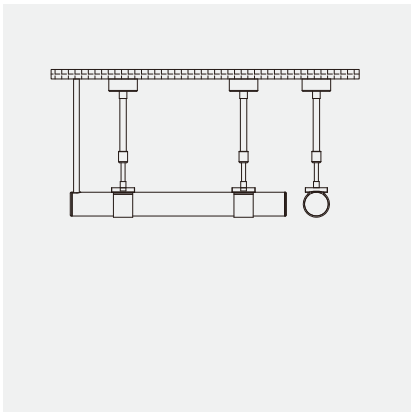
ND25 –“–“ type hanging mounting with concealed PC clips (ND25-IA13)



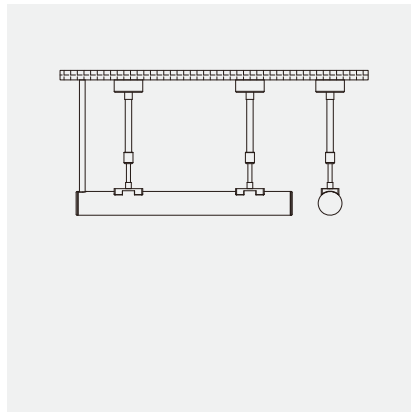
ND25 –“–“ type adjustable hanging mounting with open PC clips (ND25-IA14)



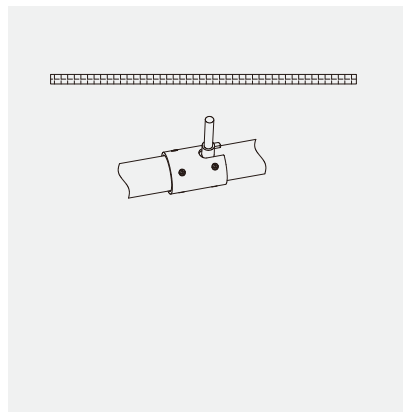
ND25 –“–“ type adjustable hanging mounting with PC clips (ND25-IA15)



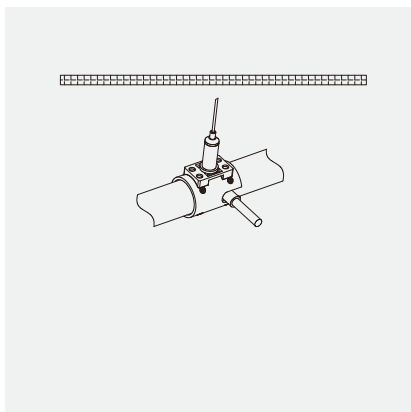
ND25 –“–“ type adjustable hanging mounting with closed PC clips (ND25-IA16)



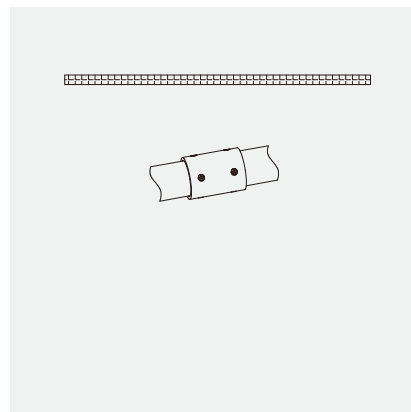
ND25 –“–“ type adjustable hanging mounting with concealed PC clips (ND25-IA17)



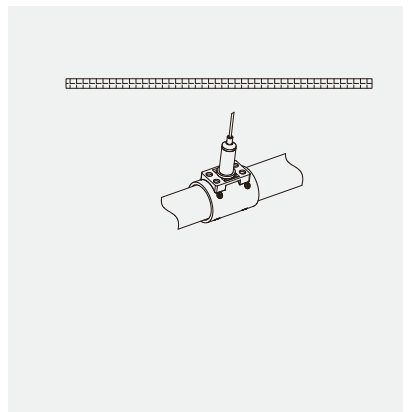
ND25 –Side outlet transparent connector (ND25-IA18)



ND25 –Side outlet transparent connector with lifting rope (ND25-IA19)

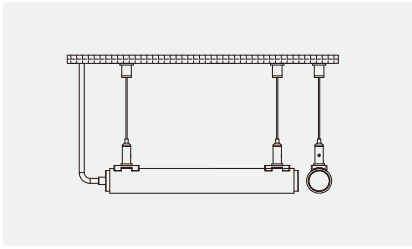


ND25 –Transparent connector (ND25-IA20)

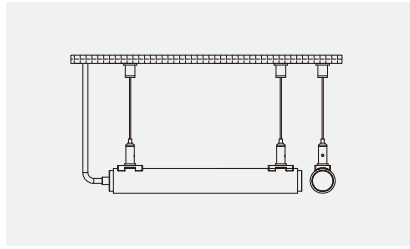


ND25 –Transparent connector with lifting rope (ND25-IA21)

## Installation method

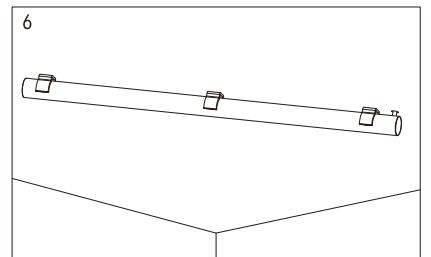
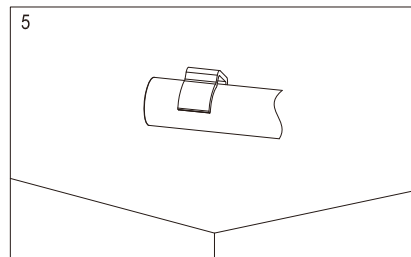
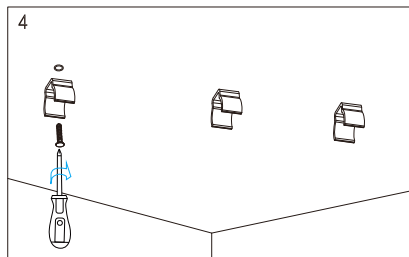
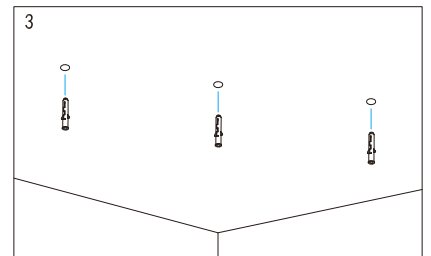
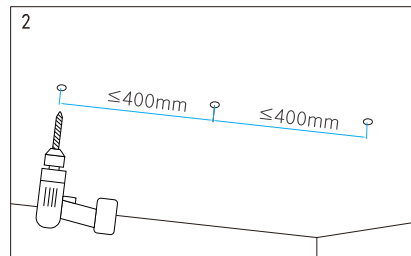
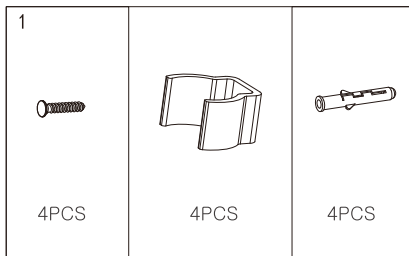


ND25 –Horizontal hanging circular tube 1M (ND25-IA22)

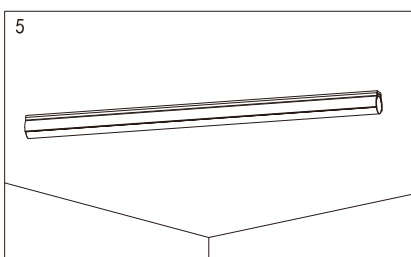
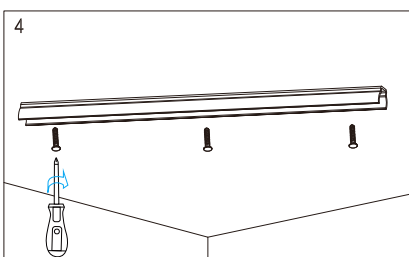
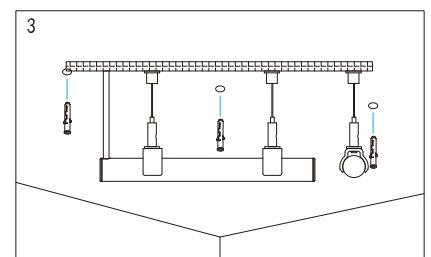
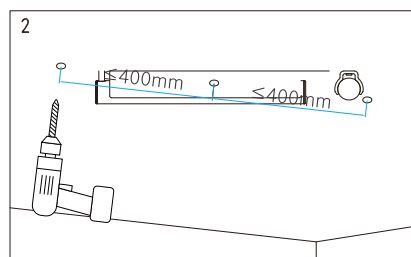
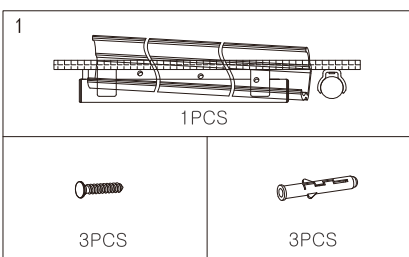


ND25 –Horizontal hanging circular tube 2M (ND25-IA23)

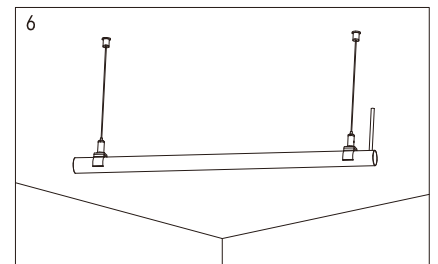
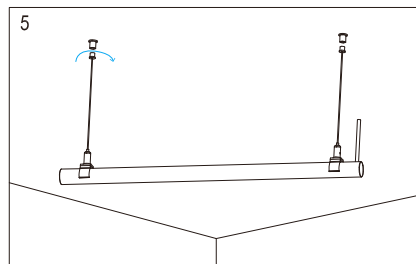
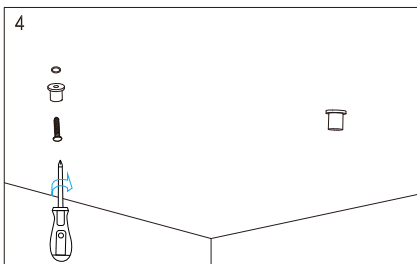
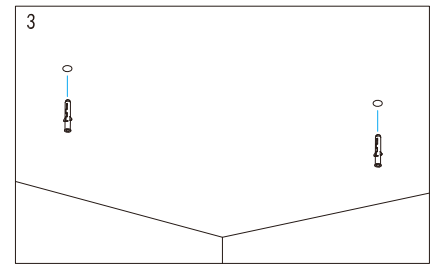
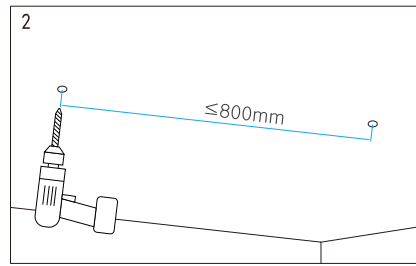
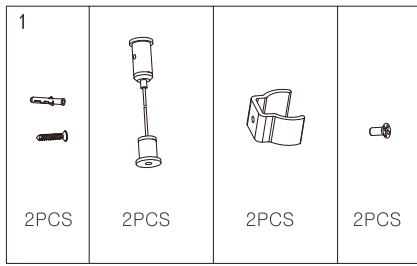
## ND25 – Surface mounting with open PC clips(ND25-IA01)



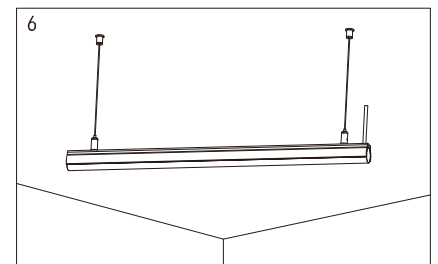
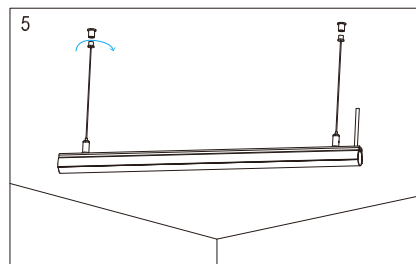
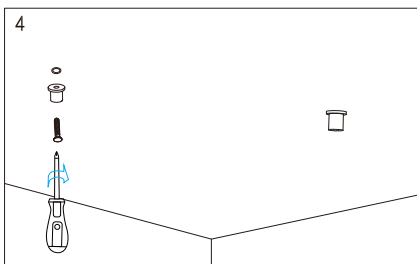
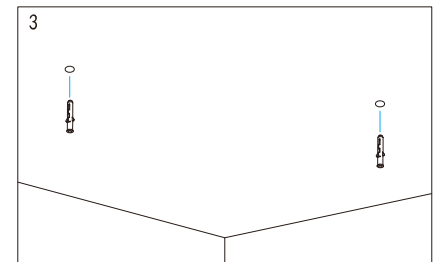
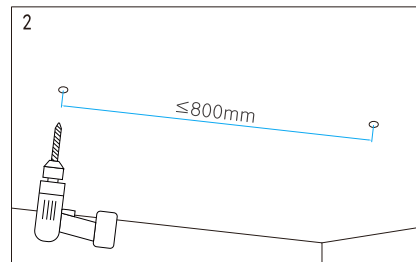
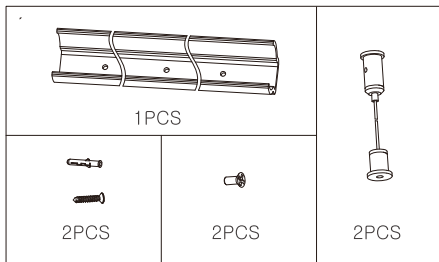
## ND25 – Surface mounting with PC profile(ND25-IA02)



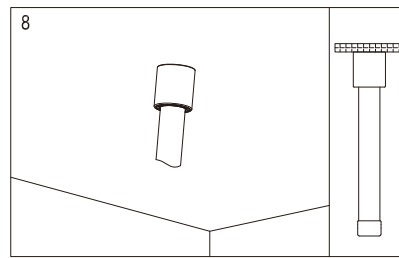
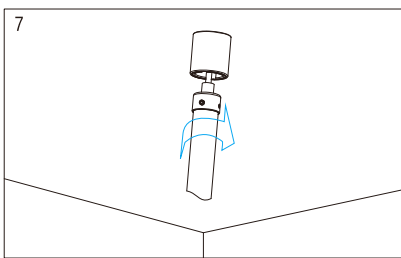
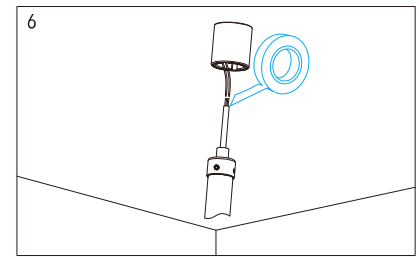
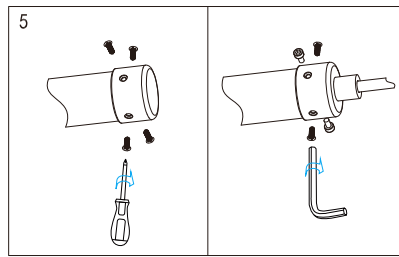
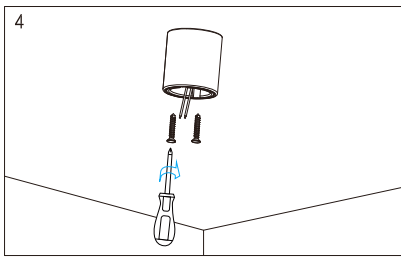
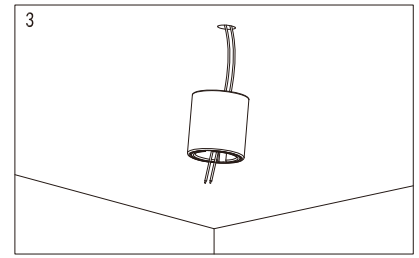
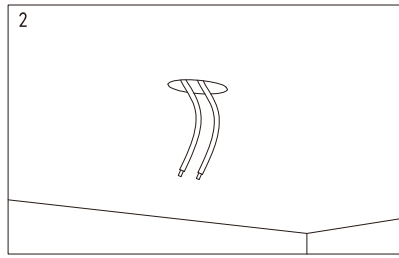
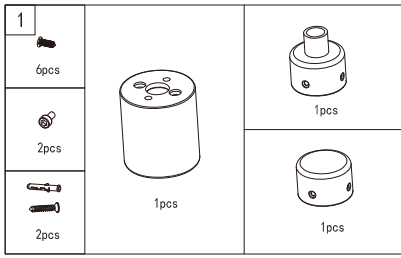
ND25- “-” Type hanging mounting with open PC clips(ND25-IA03)



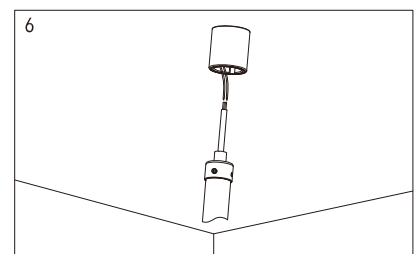
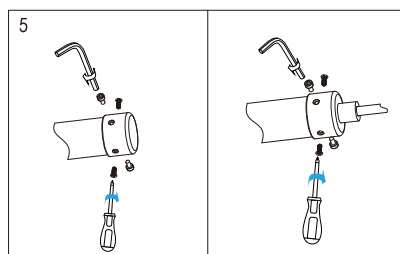
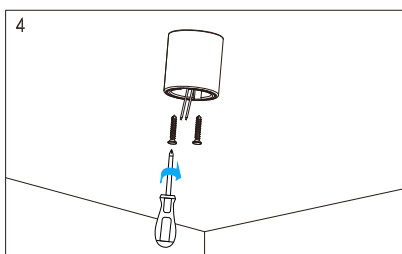
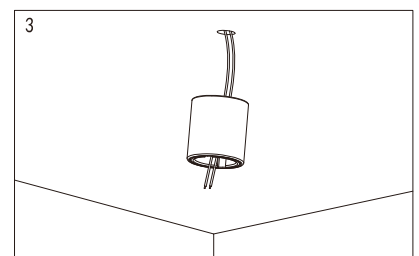
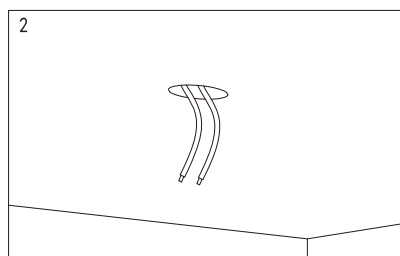
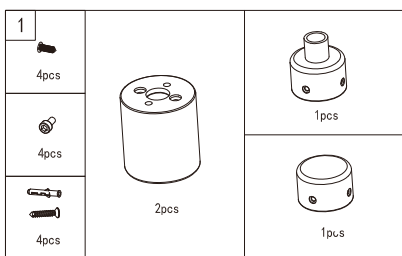
ND25- “-” Type hanging mounting with PC profile(ND25-IA04)



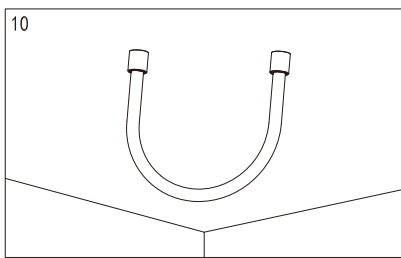
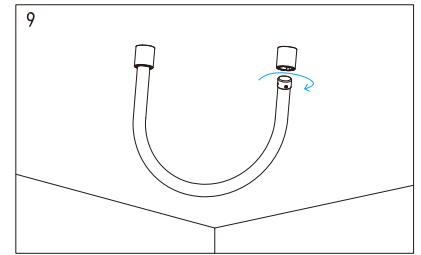
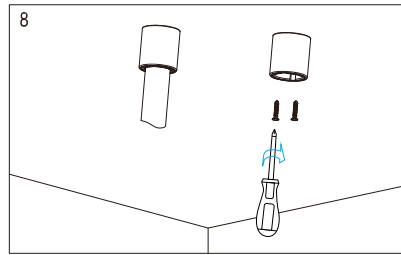
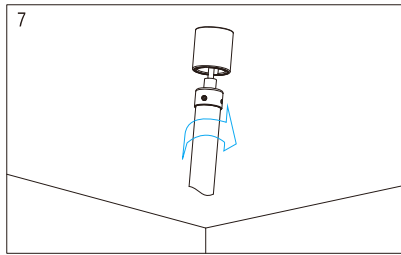
ND25 – “I” type hanging mounting(ND25-IA05)



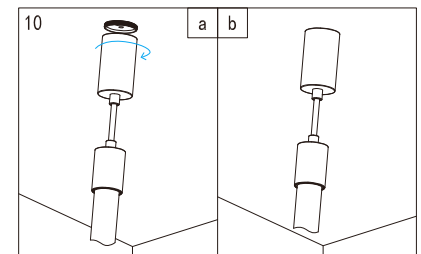
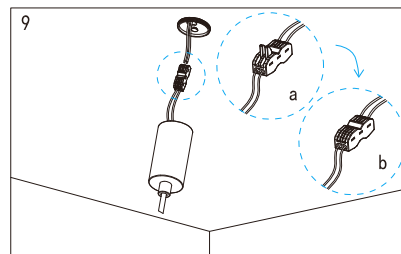
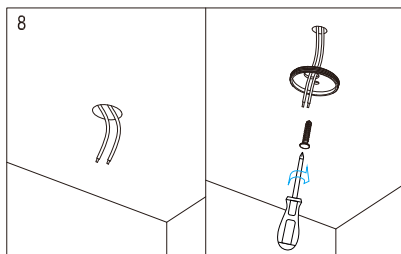
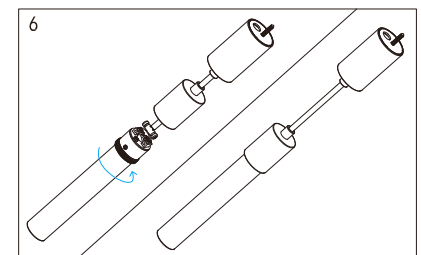
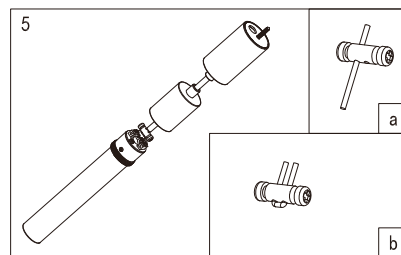
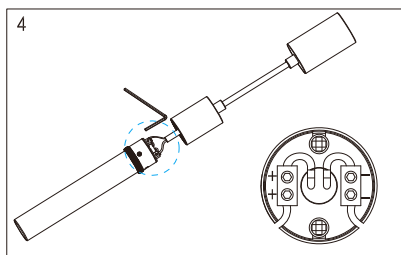
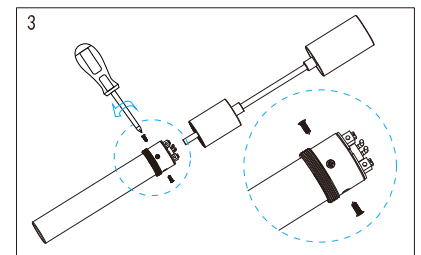
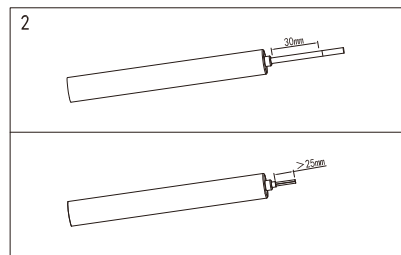
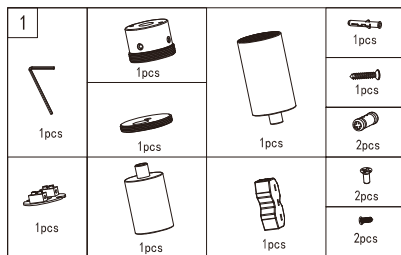
ND25 – “U” type hanging mounting(ND25-IA06)



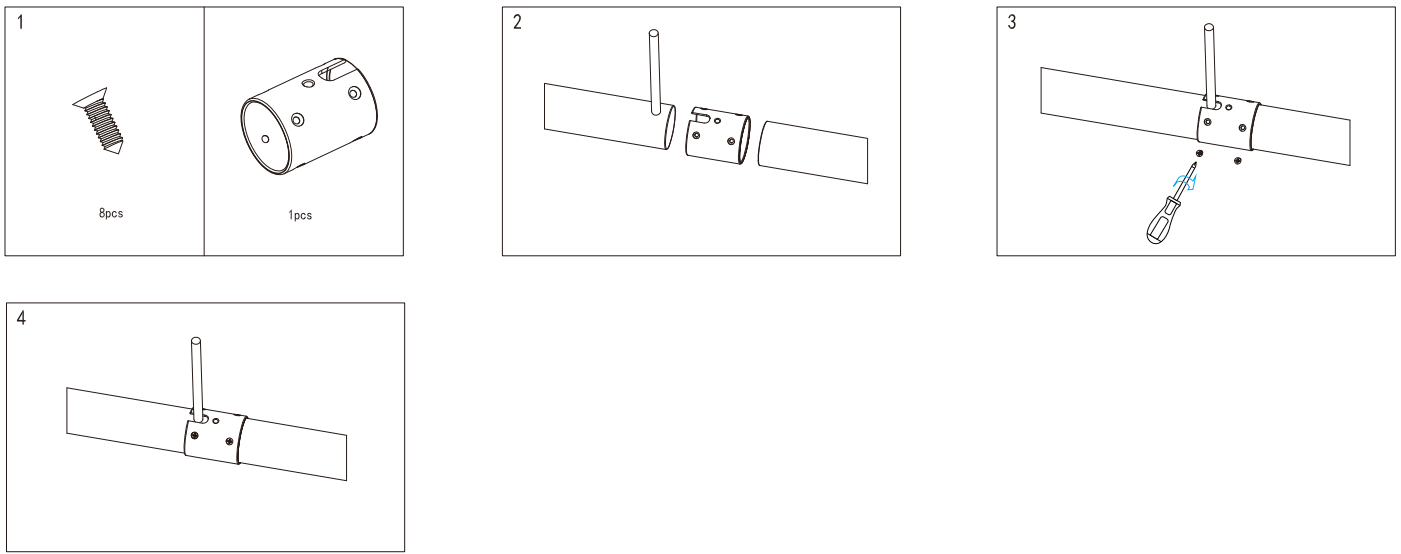
ND25 – “U” type hanging mounting(ND25-IA06)



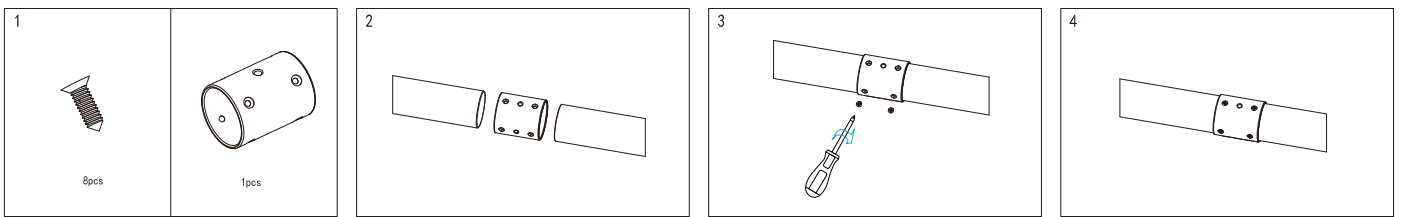
ND25 – “I” type hanging mounting with rope(ND25-IA07)



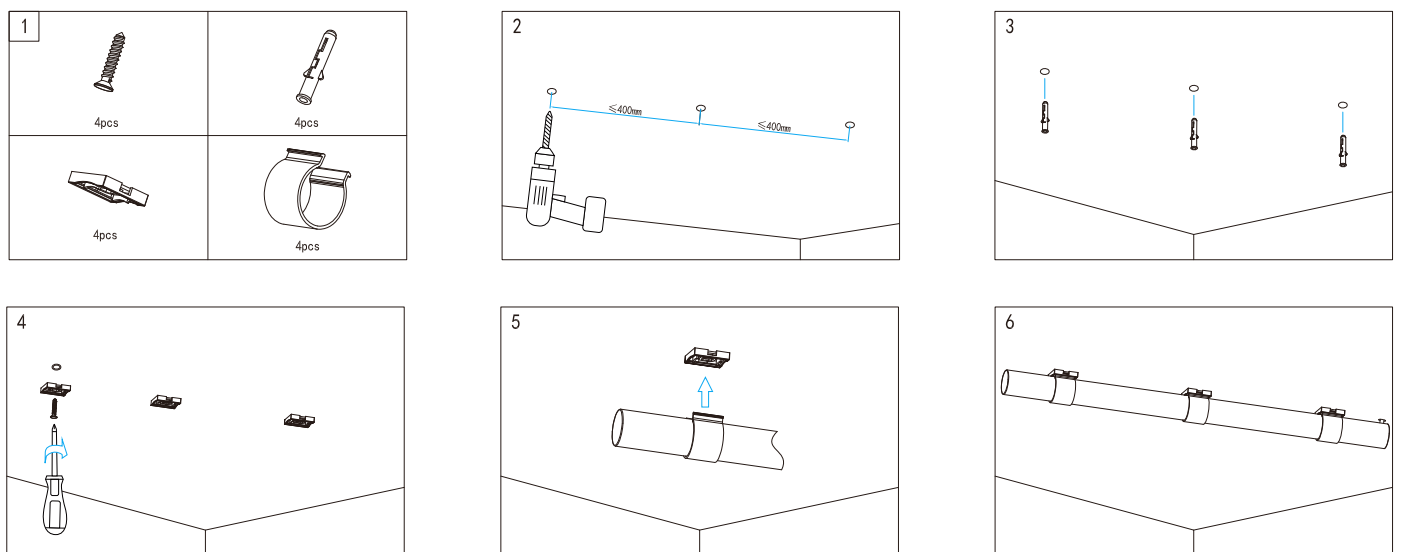
ND25 – Connector with side outlet(ND25-IA08)



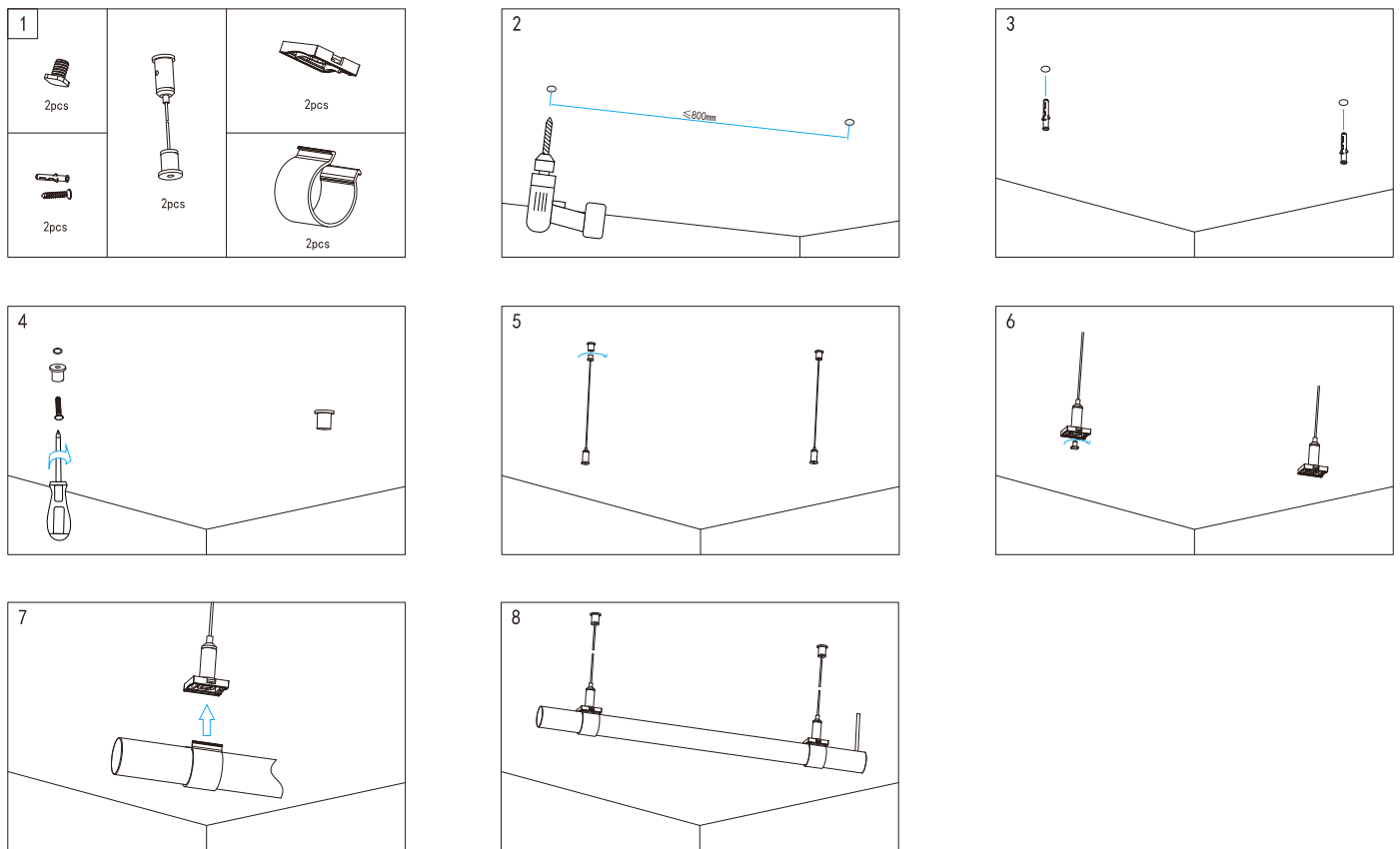
ND25 – Connector(ND25-IA09)



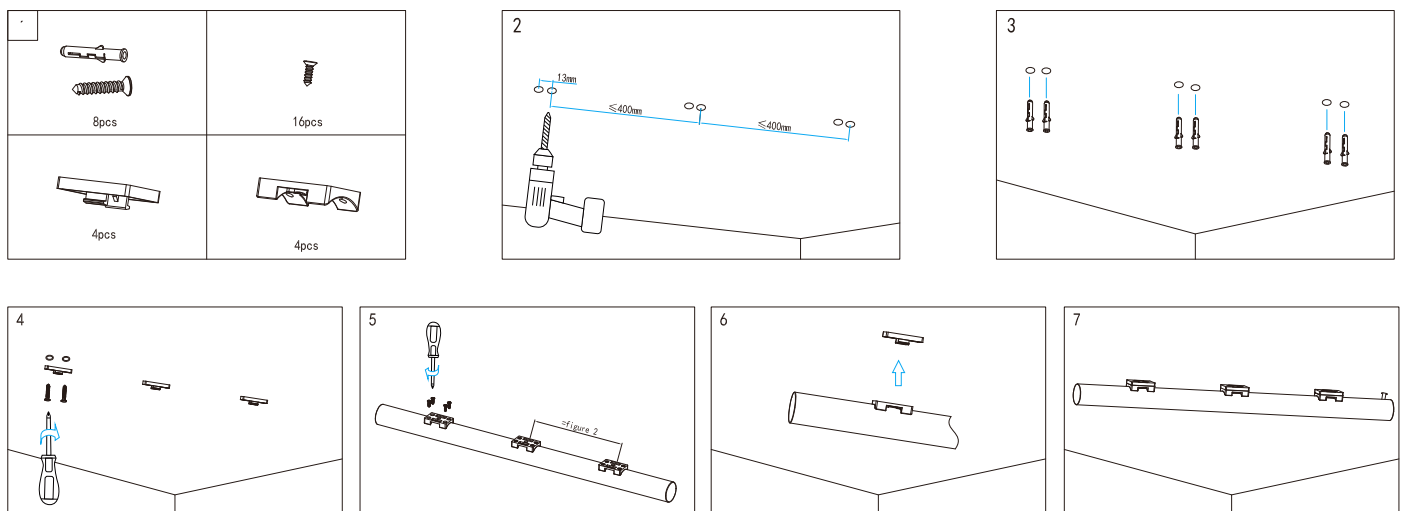
ND25 – Surface mounting with closed PC clips(ND25-IA10)



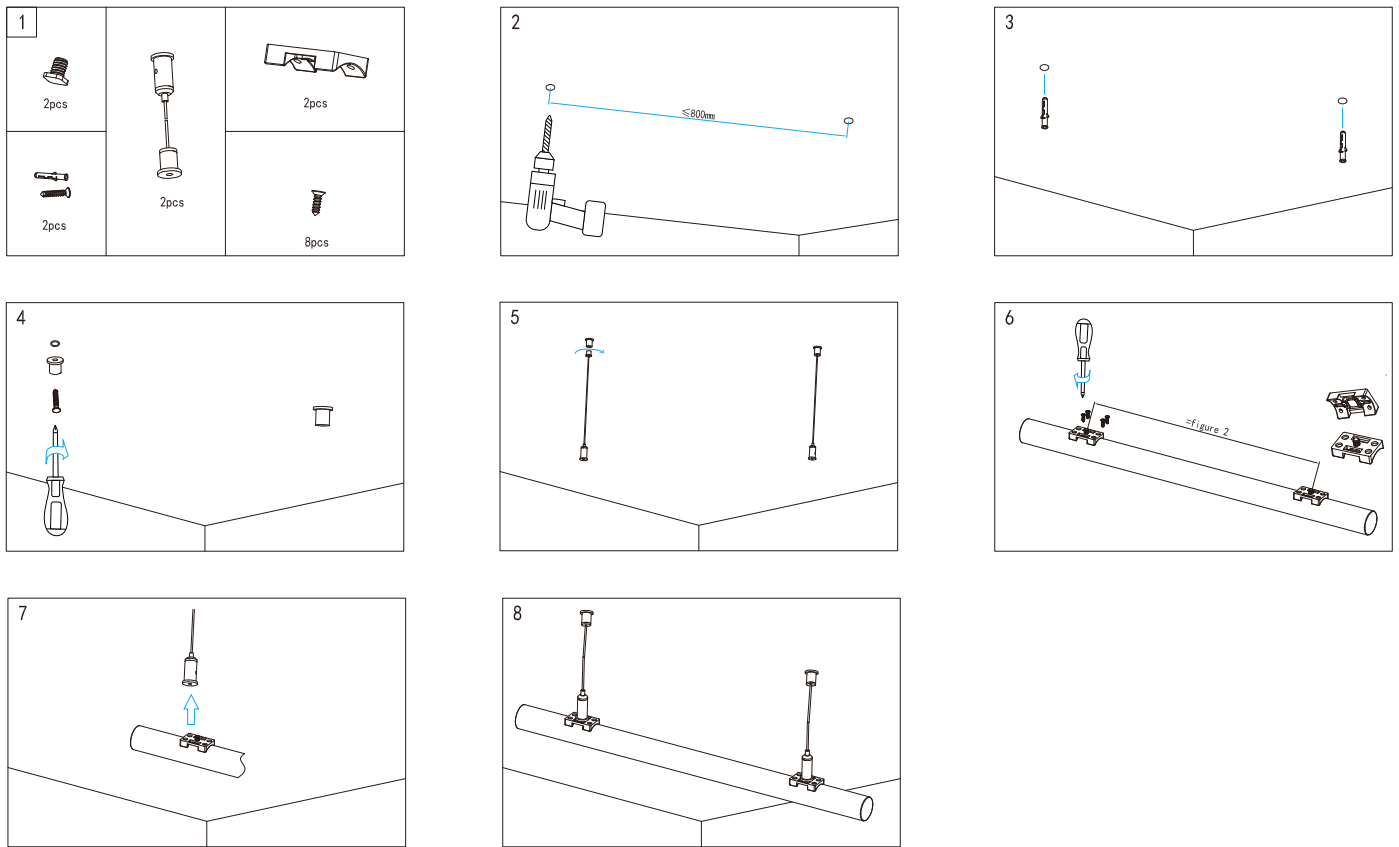
ND25- “-” Type hanging mounting with closed PC clips(ND25-IA11)



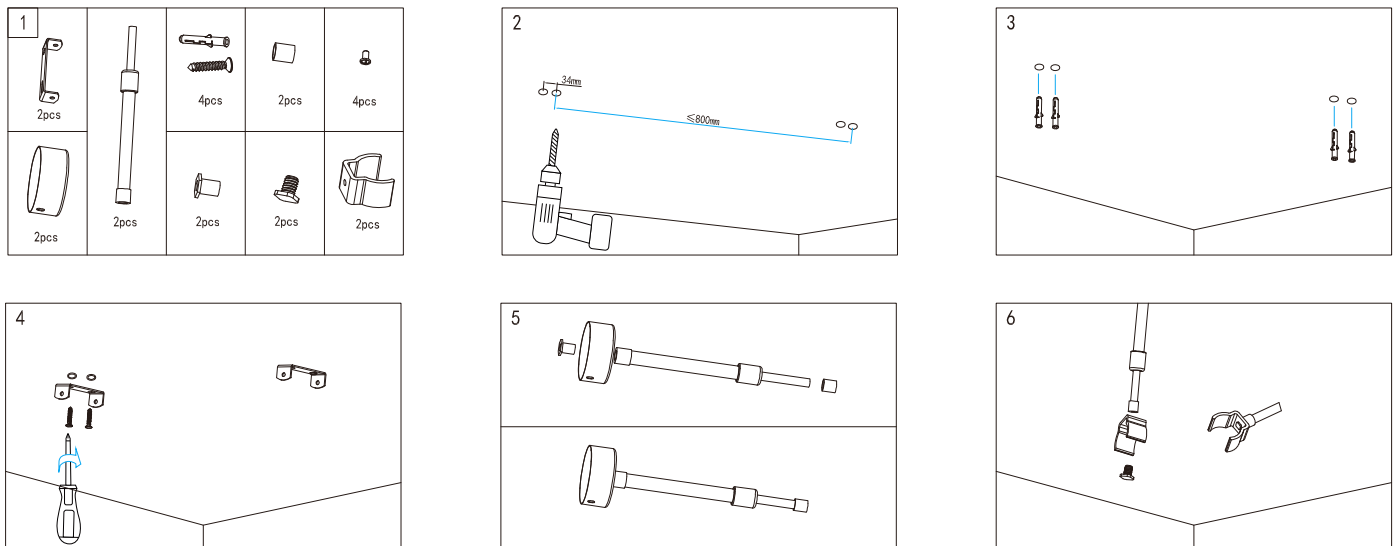
ND25 – Surface mounting with concealed PC clips(ND25-IA12)



ND25- “-” Type hanging mounting with concealed PC clips(ND25-IA13)

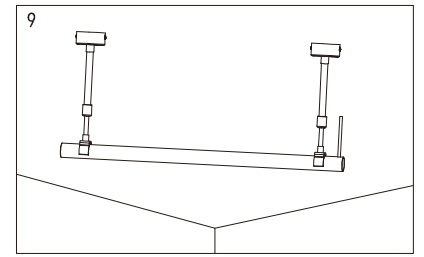
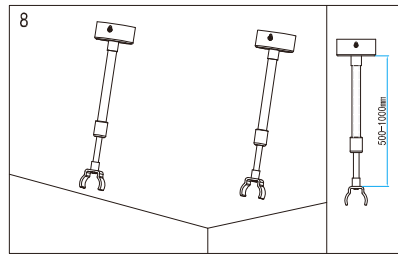
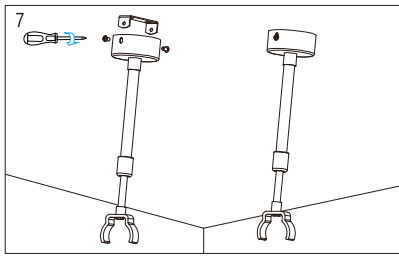


ND25 - “-” Type adjustable hanging mounting with PC clips(ND25-IA14)

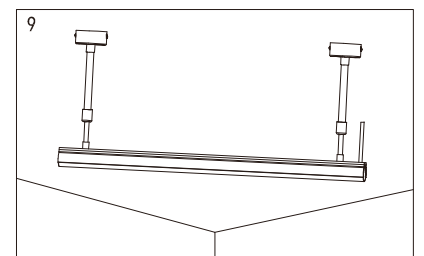
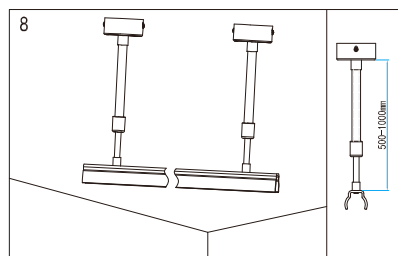
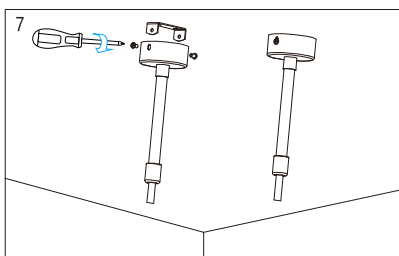
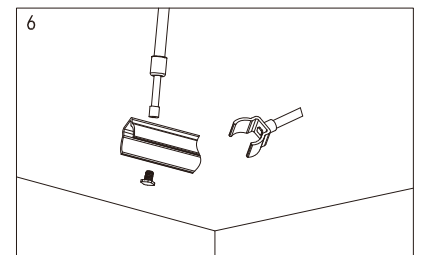
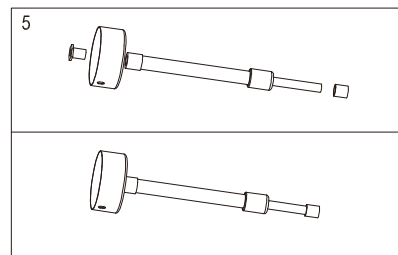
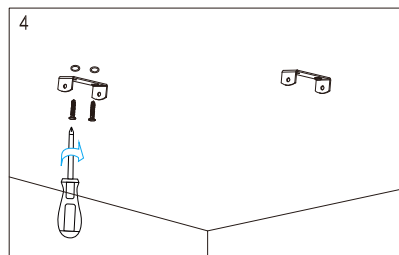
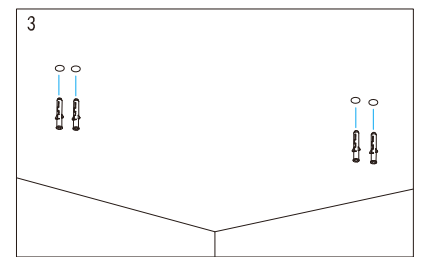
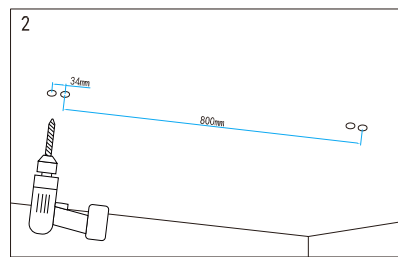
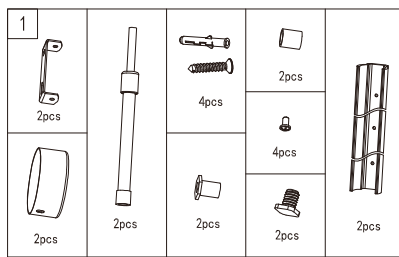




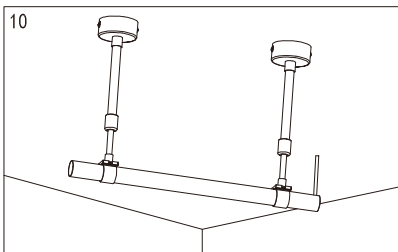
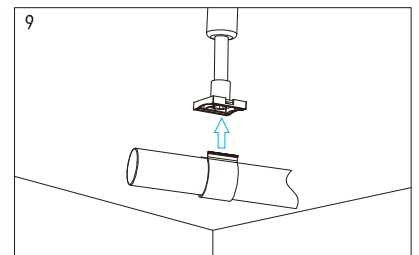
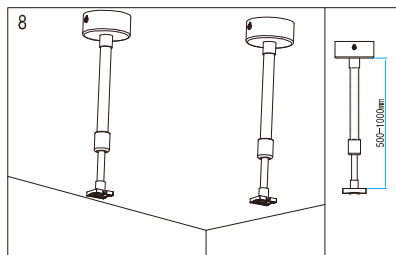
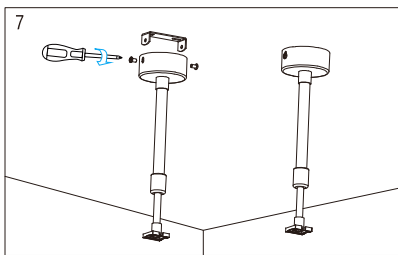
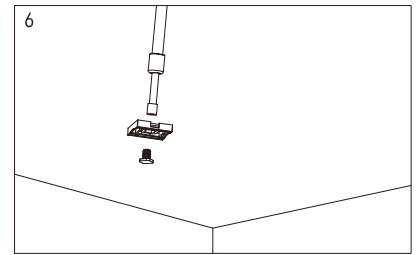
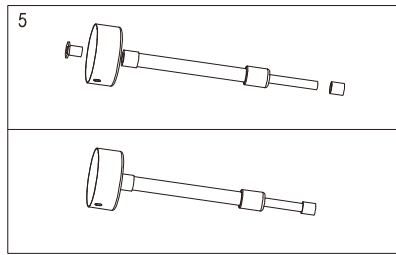
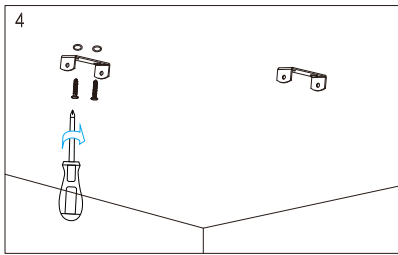
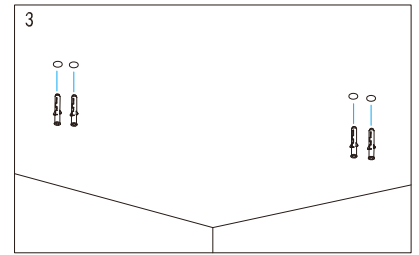
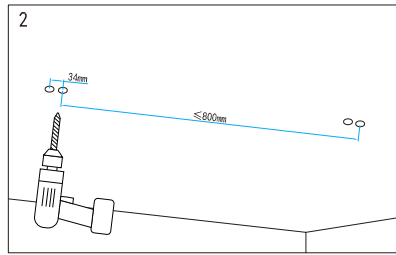
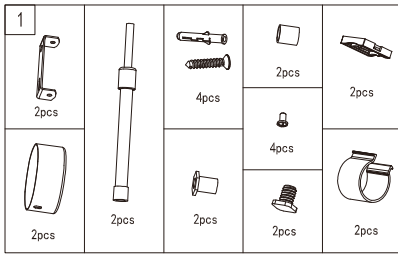
ND25 – “-” Type adjustable hanging mounting with open PC clips(ND25-IA14)



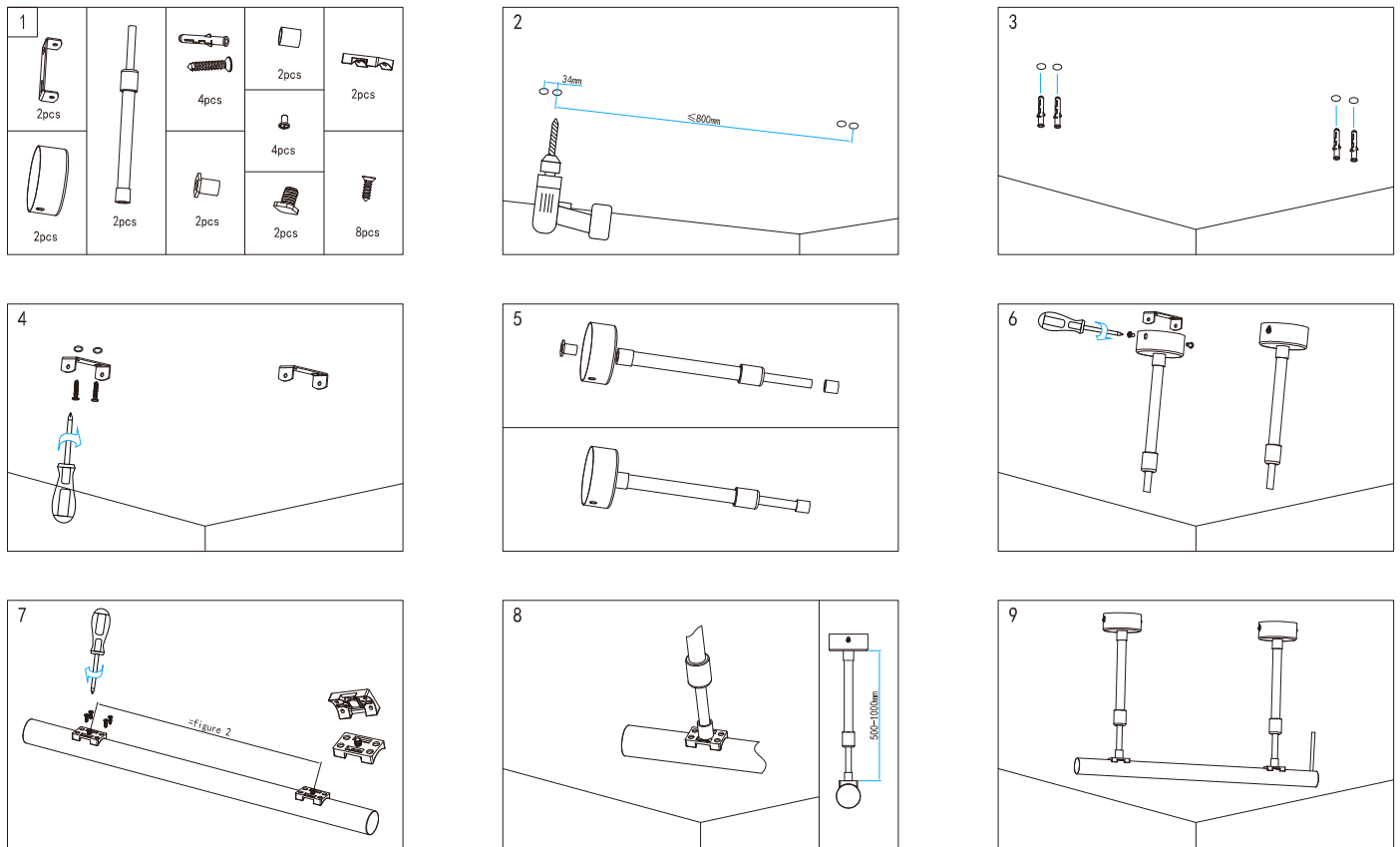
ND25 – “-” Type adjustable hanging mounting with PC profile (ND25-IA15)



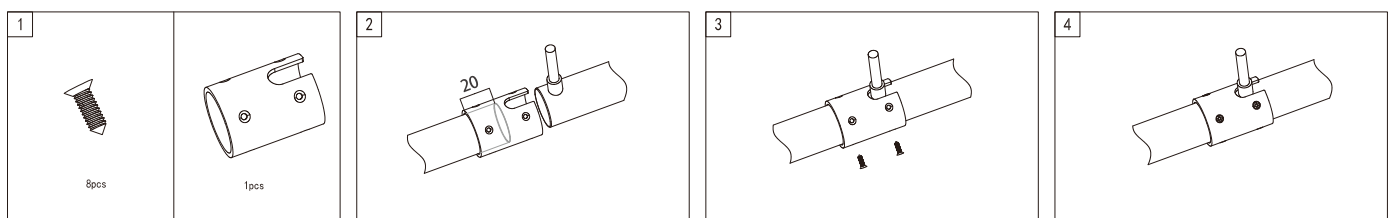
ND25- “-” Ttype adjustable hanging mounting with closed PC clips(ND25-IA16)



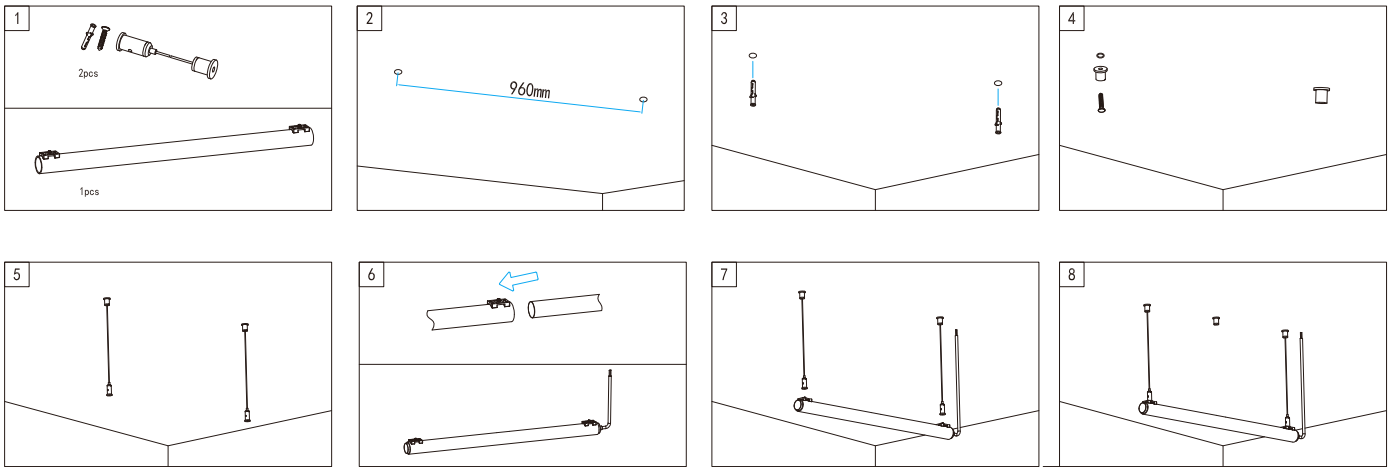
ND25 – “–” type adjustable hanging mounting with concealed PC clips(ND25-IA17)



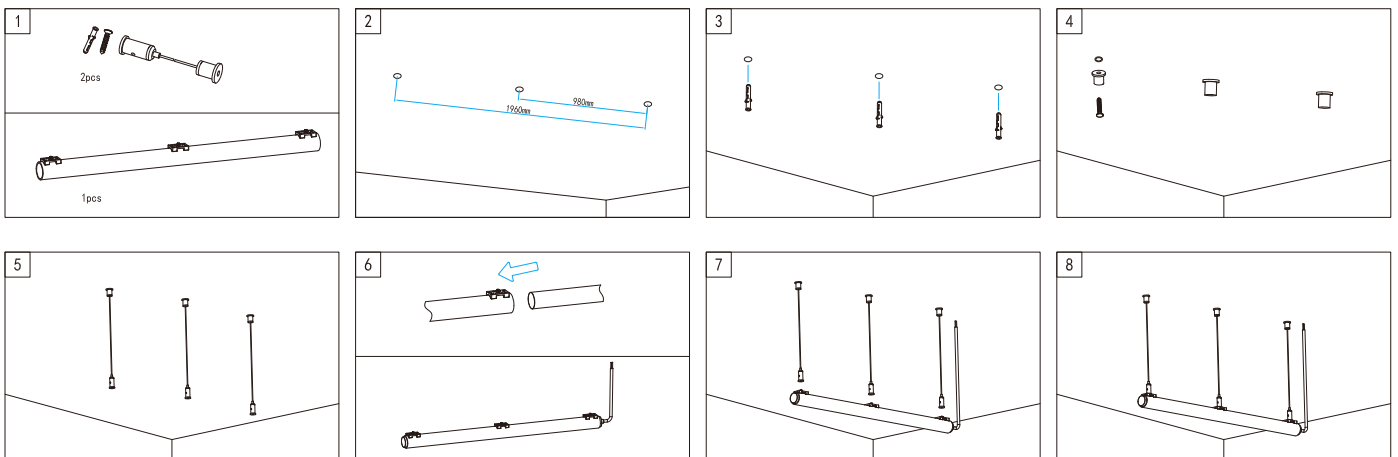
ND25 side outlet transparent connector (ND25-IA18)



ND25 – Horizontal hanging mounting circular tube 1m (ND25-IA22)

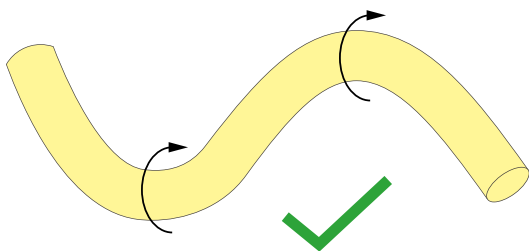


ND25 – Horizontal hanging mounting circular tube 2m (ND25-IA23)

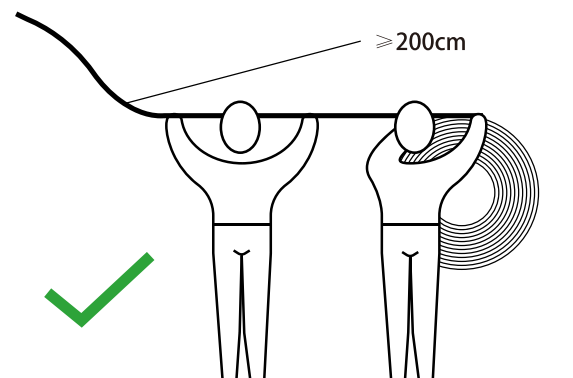


## Installation/Use Precautions

- ◆ The unopened products and the unused products after unpacking, should be sealed in packaging bags to avoid long-term exposure.
- ◆ Please use DC24V isolated constant voltage switching power supply with ripple voltage less than 5%. Other types of power supply may damage the product or cause other safety risks.
- ◆ In practical application, the power supply should be retained with a 20% allowance (it is recommended to use only 80% power of the power supply) to ensure the stability of the power supply.
- ◆ Professional operators are recommended to wire and connect the power supply. It is strictly prohibited to connect the power supply with electricity in case of electric shock.
- ◆ Please confirm whether the voltage of the power supply is consistent with the voltage of the product before wiring.
- ◆ Please note the positive and negative sides of the power cord and connect them properly.
- ◆ When using multiple power supply, the situation of parallel connection of the positive pole of the power supply should be avoided. It will lead to instability of the power supply system and damage to the product after long-term operation.
- ◆ If the actual length of the application exceeds the specified length, it will lead to the phenomenon of heating and uneven brightness of the strip due to overload.
- ◆ During installation, please avoid twisting or irregular bending of the strip, and avoid any operation that will scratch the strip otherwise it may cause irreparable damage to the product.
- ◆ In order to ensure the life and reliability of the strip, please ensure that the diameter of the bending should be greater than 200mm.
- ◆ For the sake of eye protection, please avoid looking directly at the illuminated surface for a long time.
- ◆ Non-professionals are strictly prohibited from installing, disassembling or repairing the strip.
- ◆ Do not use any acid or alkaline adhesive to fix the strip (including but not limited to glass glue, etc.)
- ◆ Different levels of waterproof, different use environment. IP65 is not suitable for immersion application.
- ◆ Due to structural differences, the final visual color of the strip will be slightly different for products of different sizes and specifications under the same color temperature value.
- ◆ Due to the difference in structure, the same color temperature value different size/specification of the strip, their final visual color will be slightly different. Please make confirmation before use.
- ◆ It is forbidden to cut this product to avoid damage to the strip due to improper operation.
- ◆ Customers are not allowed to cut this product by themselves.



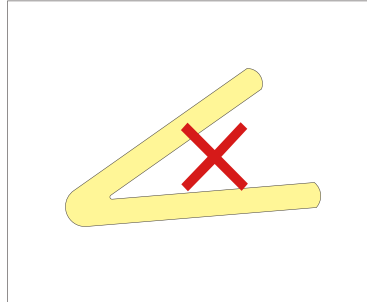
Bending diameter must be greater than 200mm



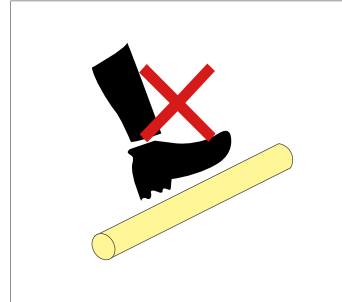
When the length of the strip is longer than 2 meters, have two people work together to install it.

## Installation/Use Precautions

---



Small Angle bending is prohibite



Prohibit trample

Tests show that formaldehyde and benzene substances will make silicone products yellowing.

If the silicone products are used in the indoor environment of new decoration, epoxy floor paint, wall paint, wallpaper adhesive, all kinds of decoration materials, or new furniture, are likely to release formaldehyde and benzene substances. In order to avoid silicone material affected, it is suggested that the use of the environment after the completion of the new decoration, formaldehyde and benzene should be removed first, or it should be ventilated for a period of time before installing the strip.