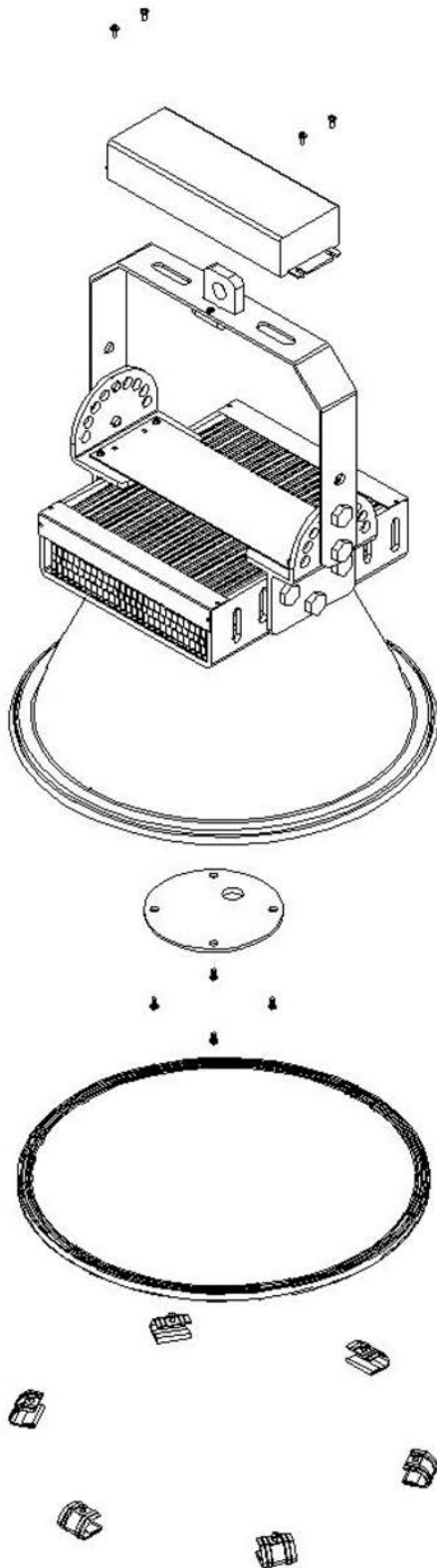


AHB-100W-XXdeg White



SPLIT GRAPH



← Driver Fix Screws*4

← Driver*1

← Radiator*1

← Reflector*1

← PCB*1

← Light source Fix Screws*4

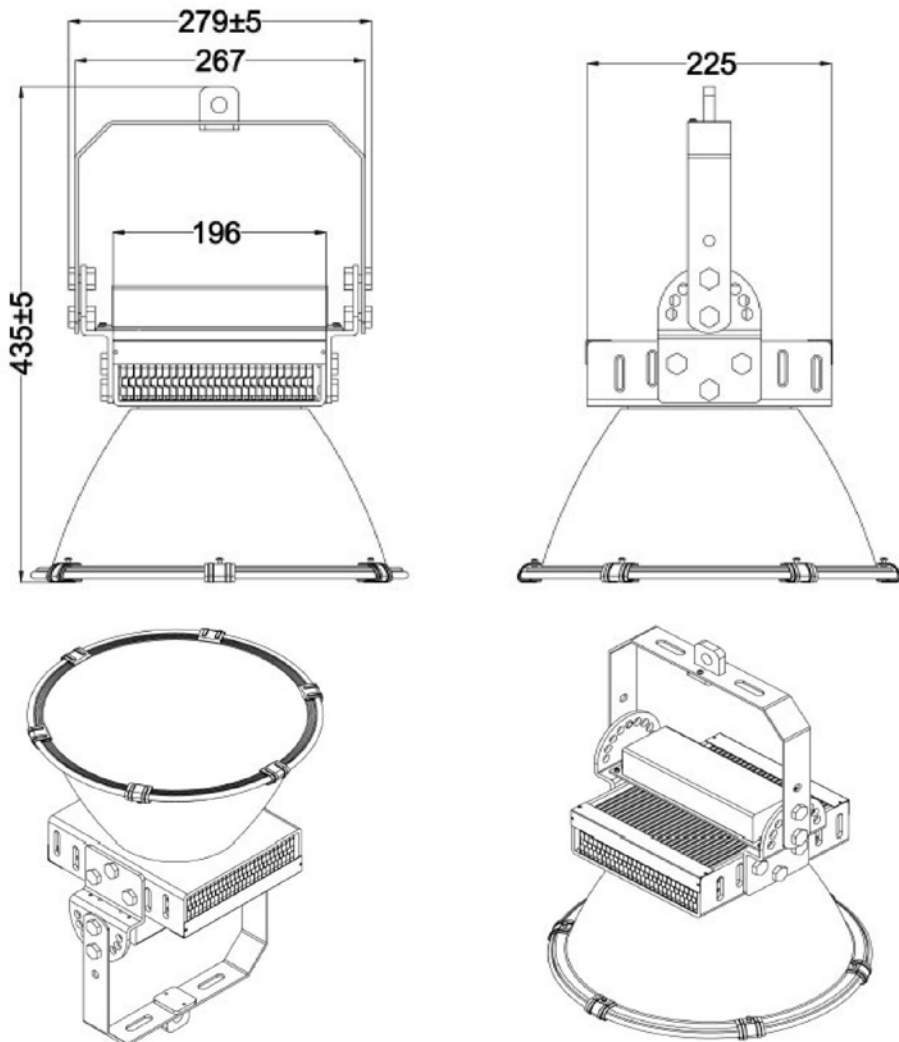
← Tempered Glass*1

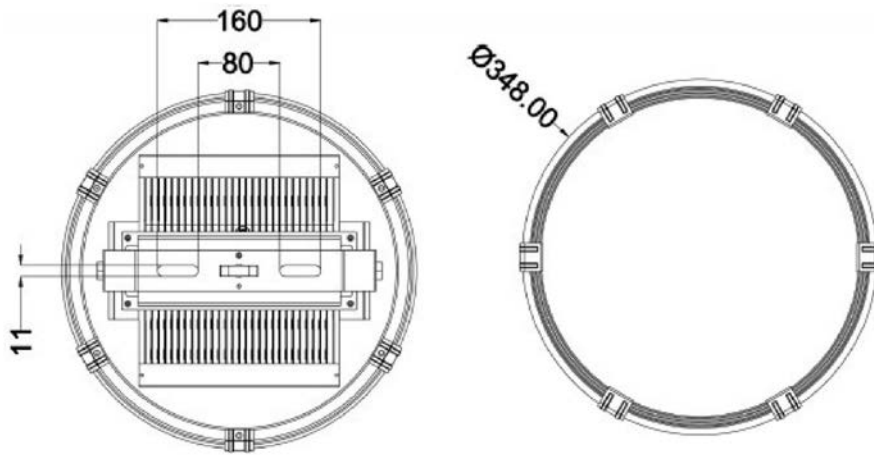
← C-Style Botton*6

TECHNOLOGY / PARAMETER

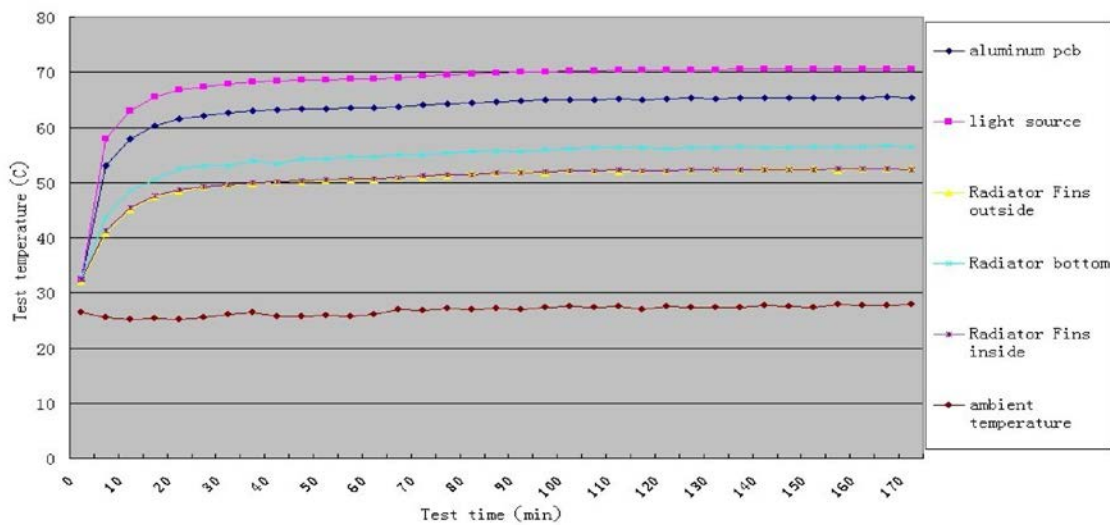
Model	AHB-100W	Type	Industrial Lighting
Application	Warehouse, workshop, gymnasium, exhibition center and so on	Std & AUT	CE, ROHS, TUV, SAA
Type	Item	Light Source Parameter	
Basic Parameter	LED Type and Qty	Voltage/Current	3.2A, 30-33V
		Quantity	3020 smd LED, 240pcs, 0.4W/pcs
	Input Voltage	100V-240VAC/277VAC	
	Main Material	Aluminium	
	Appearance	Cover: Gray; Radiator: Black	
Electric Parameter	Color Temperature	2800-3200K / 4000-4500 / 5500-6500K	
	Total Power	100W	
	Total flux (LM)	9500-10000Lm	
	CRI	80-85	
	Other	"Meanwel" HLG 120W Driver	
	Beam Angle	25° 45° 60° 90°	
	Efficacy (Lm/W)	95-100Lm/W	
	Package	1pcs/Box, volume 44x40x37.2cm = 0.065m ³	
	Operating Environment	Temperature: -30°C ~ +70°C Humidity: 20-90%	
	Life	50000 hours	

PRODUCT DRAWING (Unit: mm)





HEAT RADIATION TESTING REPORT



Radiance: 0.95

Reflect Temperature (°C): 35.0

item	test time	aluminum pcb	light source	Radiator Fins outside	Radiator bottom	Radiator Fins inside	ambient temperature
1	0	32.241	32.406	31.965	32.802	32.409	26.369
2	5	53.03	57.987	40.73	43.779	41.203	25.5
3	10	57.913	62.993	45.051	48.592	45.48	25.238
4	15	60.275	65.448	47.351	50.54	47.555	25.341
5	20	61.515	66.718	48.358	52.468	48.625	25.137
6	25	62.159	67.377	49.169	53.094	49.274	25.556
7	30	62.572	67.792	49.618	53.113	49.641	25.976
8	35	62.976	68.191	49.846	54.005	49.988	26.396
9	40	63.16	68.404	50.135	53.314	50.161	25.741
10	45	63.325	68.559	50.169	54.215	50.295	25.705
11	50	63.341	68.594	50.248	54.281	50.459	25.833
12	55	63.546	68.795	50.558	54.627	50.589	25.632
13	60	63.595	68.848	50.486	54.604	50.6	26.024
14	65	63.765	69.013	50.781	55.053	50.786	26.882
15	70	63.984	69.24	50.828	55.094	51.138	26.712
16	75	64.256	69.505	51.305	55.416	51.34	27.198
17	80	64.424	69.688	51.596	55.624	51.492	27.024
18	85	64.654	69.896	51.733	55.809	51.692	27.073
19	90	64.794	70.023	51.898	55.573	51.753	26.941
20	95	64.896	70.127	51.828	55.879	51.899	27.312
21	100	65.05	70.273	52.173	56.085	52.038	27.442
22	105	65	70.25	52.089	56.249	52.094	27.264
23	110	65.111	70.348	51.947	56.328	52.224	27.525
24	115	65.065	70.329	52.195	56.367	52.168	26.996
25	120	65.188	70.423	52.202	56.161	52.154	27.568
26	125	65.269	70.488	52.342	56.221	52.23	27.339
27	130	65.246	70.476	52.312	56.327	52.282	27.369
28	135	65.277	70.529	52.31	56.382	52.336	27.377
29	140	65.33	70.566	52.44	56.365	52.363	27.659
30	145	65.374	70.597	52.454	56.372	52.388	27.541
31	150	65.351	70.589	52.457	56.426	52.36	27.357
32	155	65.382	70.606	52.178	56.385	52.406	27.803
33	160	65.402	70.634	52.515	56.484	52.4	27.758
34	165	65.434	70.661	52.508	56.577	52.423	27.654
35	170	65.37	70.607	52.426	56.535	52.388	27.896

Mark:

Ta: 30oC

Input Power: 100W, 220V/0.45/0.97SPF

Light Source: 3020 smd LED, 240pcs, 0,416W/pcs