

## Features

- 8 zone 8 scene RF 2.4G remote.
- Apply to single color, dual color, RGB, RGBW or RGB+CCT RF LED controller.
- Ultra sensitive color adjustment touch wheel.
- Each remote zone can match one or more receiver.
- AAAx2 battery powered.
- Operate with LED indicator light.
- Magnet on the back which can be stuck on back holder.

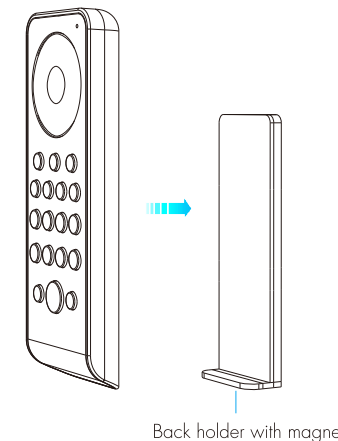
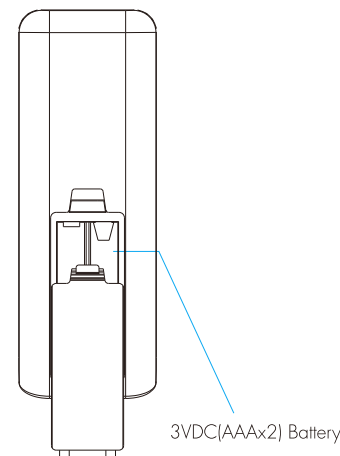
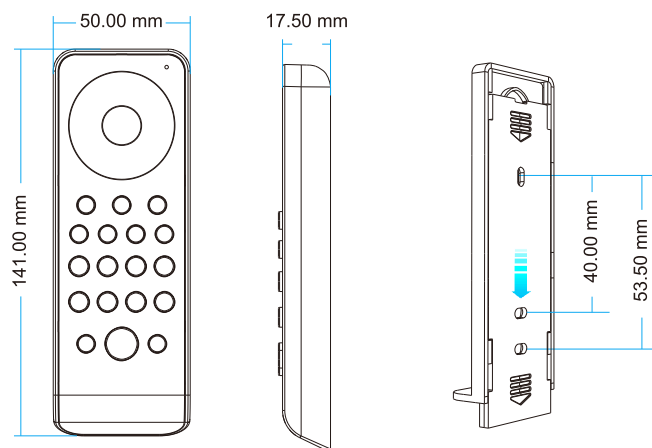


# CE RoHS

## Technical Parameters

Input and Output		Environment		Safety and EMC	
Output signal	RF(2.4GHz)	Operation temperature	Ta: -30 °C ~ +55 °C	Safety standard	EN 61347-1/-2
Working voltage	3VDC(AAAx2)	<b>Package</b>		EMC standard	EN IEC 55015/ EN IEC 61547-1/-2 ETSI EN 301 489-1/-17
Working current	<5mA	Size	L156 x W52 x H28mm	Radio equipment	ETSI EN 300 440 ETSI EN 300 328
Standby current	<10µA	Gross weight	0.112kg	Certification	CE RoHS
Standby time	1 year	<b>Warranty</b>			
Remote distance	30m(Barrier-free space)	Warranty	5 years		

## Mechanical Structures and Installations



To fix the remote, three options are offered for selection:

- Option 1: can be adsorbed directly onto metal surfaces.
- Option 2: fix the remote' back holder on the wall with two screws.
- Option 3: adhere the remote' back holder to the wall with pasteur.

## Operation

- When turn on light, the indicator display blue. when turn off light, the indicator display red.
- When touch the color wheel, the indicator will display the same color.
- When press or touch operation is invalid (If the light is off), the indicator display red.
- To extend battery life, no touch or press key operation after a few seconds, the touch wheel will enter sleep state, you need press any key to make touch wheel quit sleep state.

## Match Remote Control (two match ways)

End user can choose the suitable match/delete ways. Two options are offered for selection:

### Use the controller's Match key

**Match:**  
Short press match key, immediately press zone key of the remote. The LED indicator fast flash a few times means match is successful.

**Delete:**  
Press and hold match key for 5s to delete all match, The LED indicator fast flash a few times means all matched remotes were deleted.

### Use Power Restart

**Match:**  
Switch off the power, then switch on power, repeat again. Immediately short press zone key 3 times on the remote. The light blinks 3 times means match is successful.

**Delete:**  
Switch off the power, then switch on power, repeat again. Immediately short press zone key 5 times on the remote. The light blinks 5 times means all matched remotes were deleted.

## Key Function



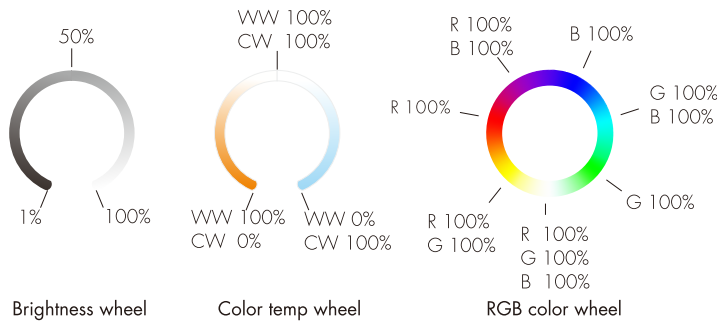
Each zone can match single color, dual color(WW/CW), RGB, RGBW, or RGB+CCT(WW/CW) RF LED controller.

- 1 2 3 4 5 6 7 8 + : Single color
- 1 2 3 4 5 6 7 8 + : Dual color(WW/CW)
- 1 2 3 4 5 6 7 8 + : RGB
- 1 2 3 4 5 6 7 8 + : RGBW
- 1 2 3 4 5 6 7 8 + : RGB+CCT

For example, long press **1** + key for 2s will set zone 1 as RGB light type. When remote type change OK, the green indicator go on a long time.

Long press + , , , or any of key for 2s will set all 8 zones to the same light type correspondingly.

: Touch to change current zone brightness, color temperature or RGB color.  
Press BRT, CCT or RGB key to switch between brightness wheel, color temp wheel or RGB color wheel.



When it is brightness wheel, touch to change brightness.

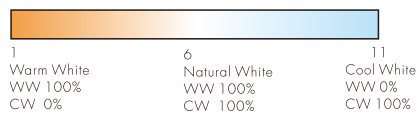
When it is color temp wheel, touch to change color temperature.

When it is RGB color wheel, touch to change RGB color.

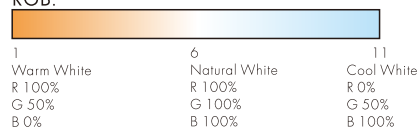
: Adjust brightness, at the same time, multi-color wheel become brightness wheel. short press 10 levels, long press 2s get max or min brightness.

: Adjust color temperature, at the same time, multi-color wheel become color temp wheel. For dual color or RGB+CCT(WW/CW), adjust color temperature by WW/CW channel, short press 11 levels, long press adjust WW+CW brightness continuously. For RGB, adjust color temperature by mix R/G/B channel, 11 levels. For RGBW, adjust color temperature by adjust W channel brightness, 11 levels.

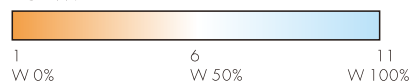
CCT:



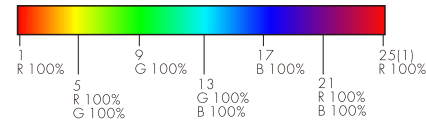
RGB:



RGBW:



: Short press get 24 kinds static RGB color, at the same time, multi-color wheel become RGB color wheel.



: Short press switch dynamic mode built in controller, long press 2s Mode+ run mode cycle, long press 2s Mode- run the first mode.

: For dynamic RGB mode, adjust dynamic mode speed, short press 10 levels, long press 2s get the fastest / slowest speed. For static RGB color, adjust saturation, namely change current static RGB color to mixed white slowly, short press 11 levels, long press 1-6s for continuous 256 levels adjustment.

**1 2 3 4** : When 1-8 key is zone function, Short press select and turn on zone light, long press 2s turn off zone light.

**5 6 7 8** : When 1-8 key is scene function, Short press recall the scene, long press 2s save current light state into 1-8. The LED indicator display green longer when save OK. 8 zone recall or save synchronously.

: Short press to select zone 1-8 sequentially, at the same time set 1-8 key as zone function key. The LED indicator will display blue or red when 1-8 key is zone on/off operation.

: Short press to recall scene 1-8 sequentially, at the same time set 1-8 key as scene function key. The LED indicator will display green when 1-8 key is scene recall/save operation.

: Short press turn on/off all zone or scene light.

### RGB color light +W white light settings:

When the remote control is used for RGBW light control it can be operated by long pressing and key for 2s at the same time, fo set both RGB color light and W white light can be turned on at he same time or can not be turned on at the same time two ways.

When the green indicator blinks 2 times, set the RGB color light and W white light can not be turned on at he same time.

That is, when the RGB color light is on, the white light automatically turn off, and when the white light is on, the RGB color light automatically turn off.

When the green indicator blinks 4 times, set the RGB color light and W white light are turned on at the same time(factory default)

## Safety Information

1. Read all instructions carefully before you begin this installation.
2. When installing battery, pay attention to the battery positive and negative polarity. A long time without the remote control, remove the battery. When remote distance becomes smaller and insensitive, replace the battery.
3. If no response from the receiver, please re-match the remote.
4. Gently handle remote, beware of falling.
5. For indoor and dry location use only.