

Диммер DALI 30-12 (12V, 30W, 1 адрес)

PRODUCT FEATURES:

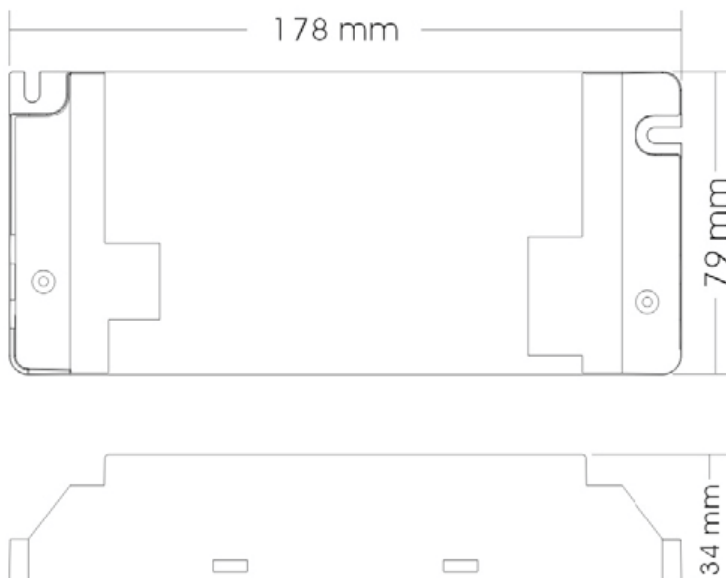
- Input voltage 100V-240VAC.
- Single channel 12VDC output, max current 2.5A.
- DALI Digital control input, Dimming control LED module
- Addressing output channel
- Support Touch DIM function, and can be dimmed manually



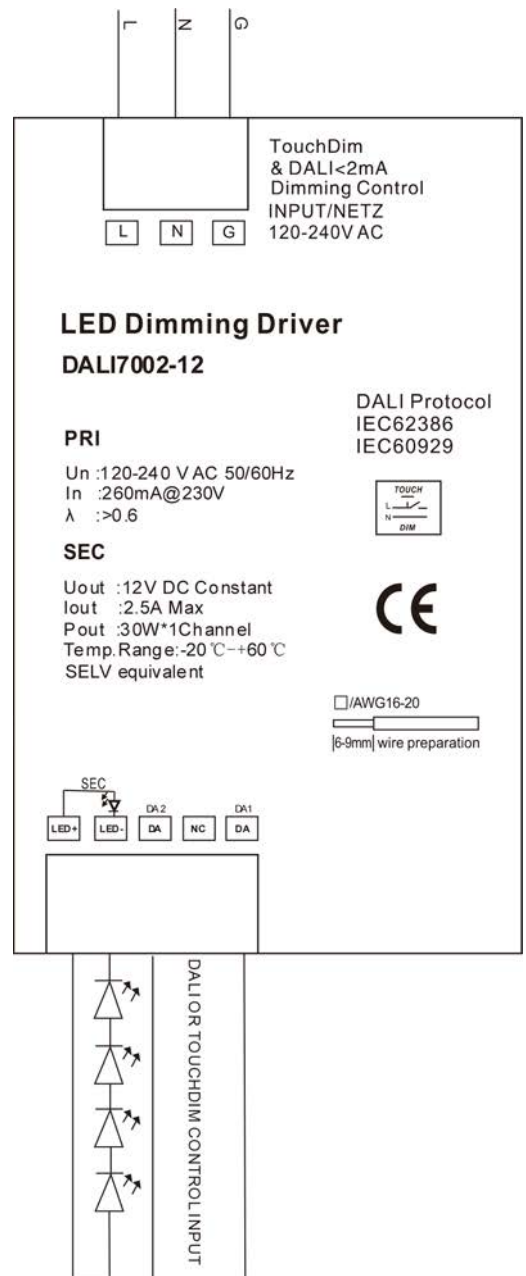
SPECIFICATION:

Electric Parameters	Min	Nom	Max	Unit
Range of input voltage	100	220	240	VAC
Input current	260mA@230V			
Input frequency	47	50/60	63	Hz
Output voltage	-	12VDC	-	
Output current	-	-	2.5	A
Output power	-	-	30	W
Product specification				
Appearance size	L178*W79*H34(mm)			
Pack size	L200*W100*H40(mm)			
N.W.	267.5g			
G.W.	275.5g			

PRODUCT SIZE:



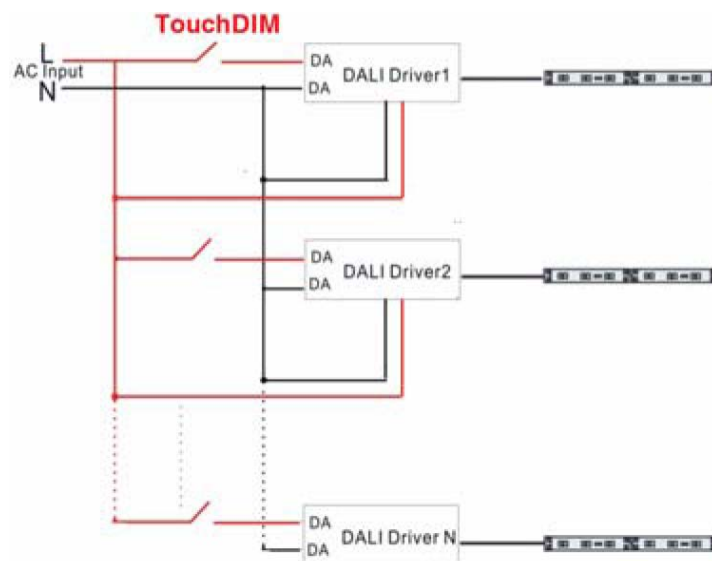
CONNECTION DIAGRAM:



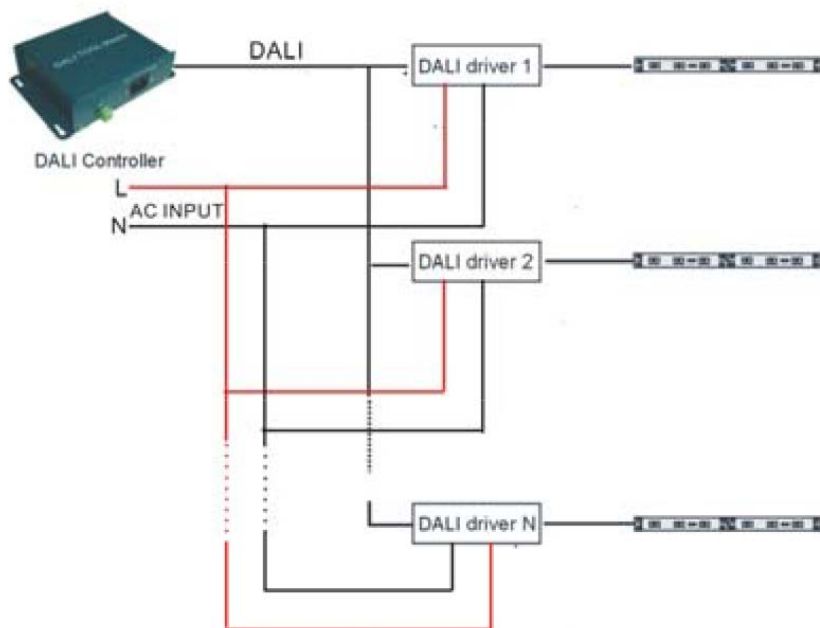
TOUCH DIM FUNCTION INSTRUCTIONS:

- 1) Short press the Touch DIM switch (<0.5s) to control the lamp on or off
- 2) Long press the Touch DIM switch (>0.5s) to dim the brightness of light; The dimming direction will change every time after pressing switch
- 3) When the light being turned off, long press the Touch DIM switch can turn on the light and adjust it's brightness according to the dimming direction
- 4) The brightness adjustment range is 1%-100%, and the light can be turned off through short pressing when do the adjustment with long pressing Touch DIM switch
- 5) Power off memory function, the power-down state before will be maintained when power on again

TOUCH DIM:



DALI WIRING DIAGRAM:



PRODUCT INSTALLATION NOTES:

- 1) Remark: DALI and Touch DIM functions cannot be used simultaneously, which can be controlled respectively by using DALI controllers or the equipments with Touch DIM function
- 2) Please read the Connection diagram before installation.
- 3) Please use the wire according to the specification defined.
- 4) Please firstly pressure the cap of connector down and insert the wire during connecting, after connecting please check whether the wire is insert firmly.
- 5) In order to avoid the damage of the equipment, please check the connecting before power on.