



LED NEON FLEX SPECIFICATION

UNEON UNP-TOP-1615-RGB-15W-IP68



IP68 polyurethane protected against water, salt water and UV radiation

Regular power 5W/m, 10W/m and 15W/m for option

Max serial connection length 24 meters with one end power

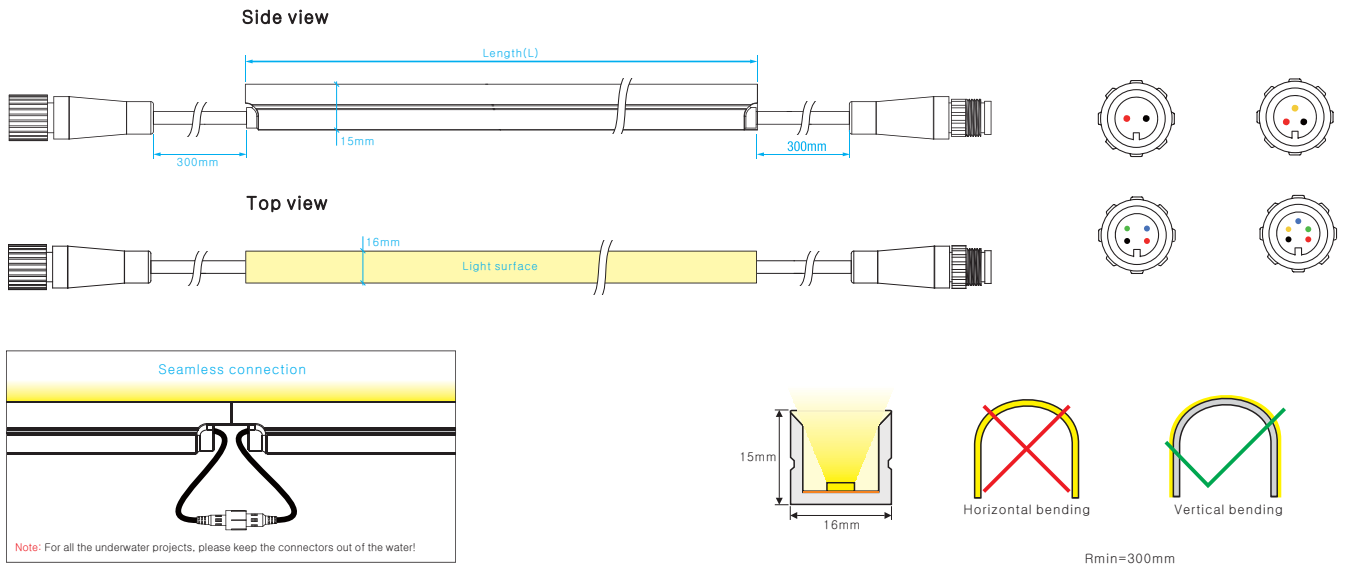
Seven CCT optional from 2700K to 6500K, CRI>80

2700K 3000K 3200K 3700K 4000K 5000K 6500K

2700K 6500K



Dimensions & Waterproof



Product specification

Voltage	DC24 V
CRI/Ra	>80
Ambient temperature	-25°C~60°C

Note:

Customized length (not cuttable):
 Single color: $L_{min}=152.1\pm 11mm$; $L_{max}=5027\pm 19mm$; in 41.7mm increments
 Tunable color: $L_{min}=177\pm 11mm$; $L_{max}=5027\pm 19mm$; in 50mm increments
 RGB/RGBW: $L_{min}=241.29\pm 11mm$; $L_{max}=5027\pm 19mm$; in 71.43mm increments

White color parameters

Part Number	CCT (K)	Low power(5w/m)		Medium power(10w/m)		High power(15w/m)	
		(lm/m)	(max serial run)	(lm/m)	(max serial run)	(lm/m)	(max serial run)
▶ UNP-TOP-1615-W27	2700K±10%	498	24m	776	15m	1030	11m
▶ UNP-TOP-1615-W30	3000K±10%	516	24m	785	15m	1146	11m
▶ UNP-TOP-1615-W32	3200K±10%	496	24m	851	15m	1120	11m
▶ UNP-TOP-1615-W37	3700K±10%	540	24m	889	15m	1188	11m
▶ UNP-TOP-1615-W40	4000K±10%	564	24m	898	15m	1236	11m
▶ UNP-TOP-1615-W50	5000K±10%	537	24m	887	15m	1204	11m
▶ UNP-TOP-1615-W65	6500K±10%	513	24m	870	15m	1139	11m

Tunable color parameters

Part Number	CCT (K)	Low power(5w/m)		Medium power(10w/m)		High power(15w/m)	
		(lm/m)	(max serial run)	(lm/m)	(max serial run)	(lm/m)	(max serial run)
▶ UNP-TOP-1615-TW	2700K±10%	276	22m	432	15m	583	11m
▶ UNP-TOP-1615-TW	6500K±10%	278	22m	435	15m	588	11m
▶ UNP-TOP-1615-TW	(2700K+6500K)±10%	544	22m	850	15m	1136	11m

RGB & RGBW color parameters

Part Number	Color (nm)	Low power(5w/m)		Medium power(10w/m)		High power(15w/m)	
		(lm/m)	(max serial run)	(lm/m)	(max serial run)	(lm/m)	(max serial run)
▶ UNP-TOP-1615-R	Red(620-625nm)	159	24m	253	15m	340	11m
▶ UNP-TOP-1615-G	Green(515-525nm)	382	24m	507	15m	615	11m
▶ UNP-TOP-1615-B	Blue(460-465nm)	94	24m	133	15m	152	11m
▶ UNP-TOP-1615-A	Yellow(585-595nm)	163	24m	239	15m	355	11m
▶ UNP-TOP-1615-P	Pink	263	24m	412	15m	557	11m
▶ UNP-TOP-1615-RGB	RGB	262	8m	411	5m	555	3m
▶ UNP-TOP-1615-RGBW	RGBW	436	8m	673	5m	860	3m

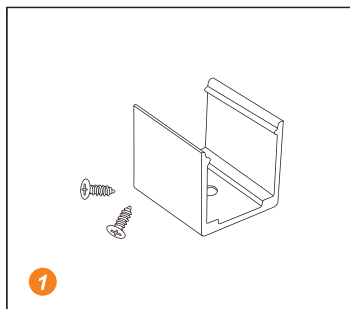
Accessory & Installation



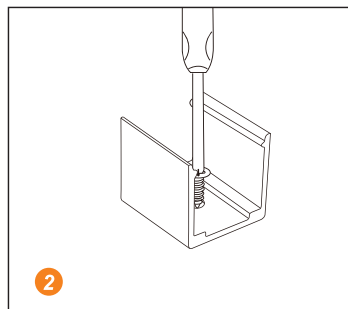
Stainless mounting clip
15x18x10.1mm
(L x W x H)



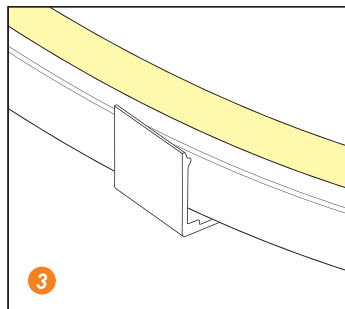
Aluminum channel
1000x19.2x17.8mm
(L x W x H)



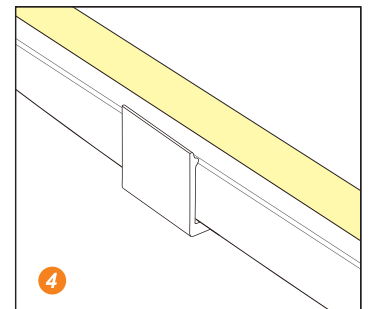
1 Prepare the screws and mounting clips



2 Adjust the fixed clips to the appropriate place, use a screwdriver to fix the screw.

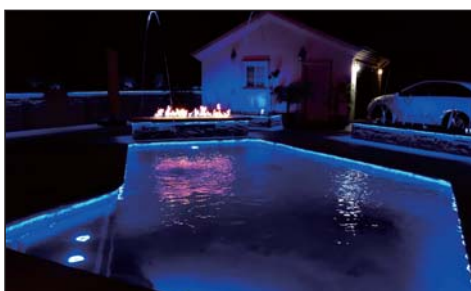


3 Put the light emitting surface upwards, then insert the LED strip into the fixed clips.



4 Fix NEON strip completely into the fixed clip.

Application



Pool lighting



Boat and Marine lighting



Outdoor lighting