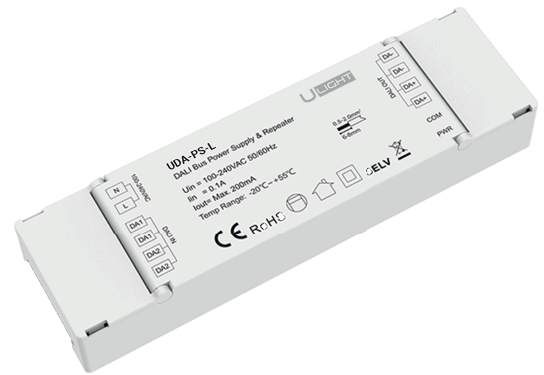


- DALI repeater with integrated DALI power supply.
- Enhancement and transmission of DALI signals(bidirectional).
- DALI commands from any control unit are transmitted in all DALI-lines.
- Electrical insulation between the main control circuit and the subordinate control circuit.
- Star or cascade network layout installation require only a single master to operate.
- In single-master applications star networks with multiple repeaters can be set up.
- Cascaded network layout with up to 3 repeaters in series.
- For extending the DALI line length from 300 to 600m.
- Maximum output current of 200mA to power the entire DALI line.
- There is no increase in the maximum number of DALI units.  
The maximum amount of DALI-devices in the total network(main and subordinate circuit) is limited to 64, the devices can be divided on the subordinate circuit freely.
- For each subordinate DALI circuits no extra DALI power supply required.

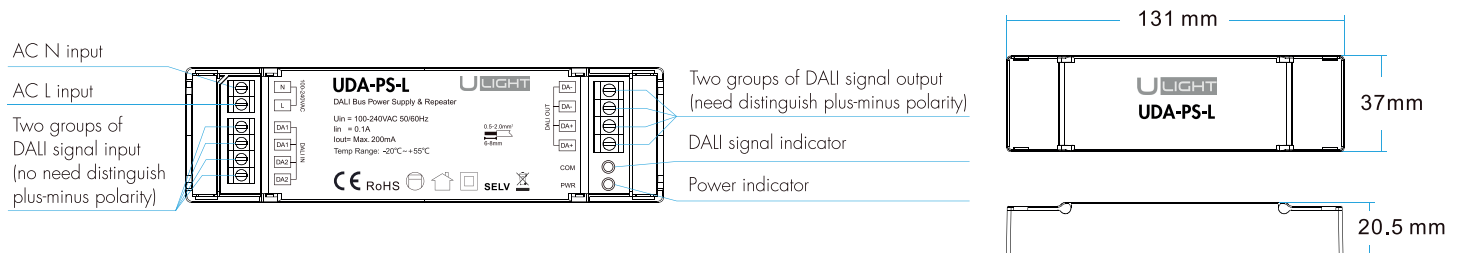


CE RoHS

### Technical Parameters

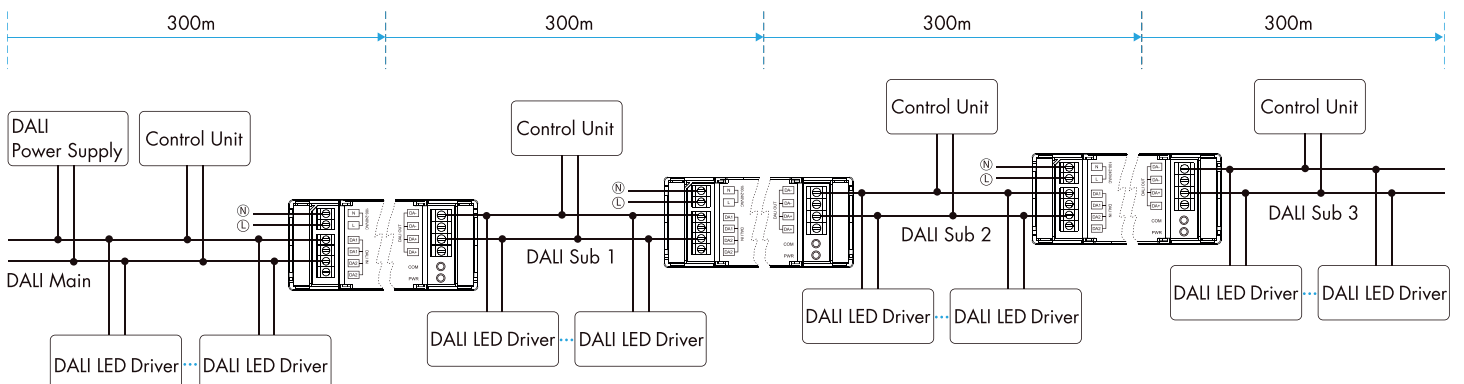
Input and Output		Environment		Safety and EMC	
Input voltage	100-240VAC	Operation temperature	Ta: -20°C ~ +55°C	EMC standard (EMC)	ETSI EN 301 489-1 V2.2.3 ETSI EN 301 489-17 V3.2.4
Input supply frequency	50/60Hz	Protection	Over-heat	Safety standard	EN 62368-1:2020+A11:2020
Input current	0.1A	<b>Package</b>		Certification	CE, EMC
Output current	Max. 200mA	Size	L135 x W40 x H23mm		
Input/Output signal	DALI	Gross weight	0.082kg		

### Mechanical Structures and Installations



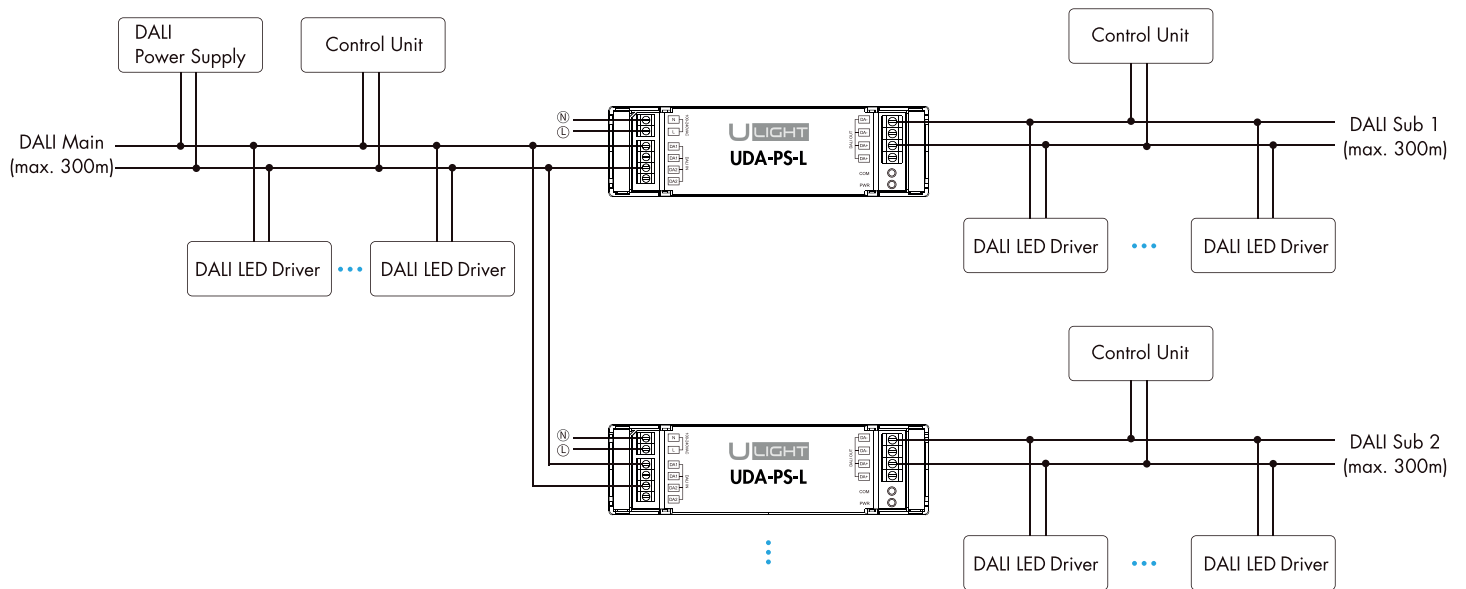
### Wiring Diagram

#### 1. Serial wiring for longer bus distances



**Note:** In case of series wiring, up to 3 repeaters can be connected and the DALI bus can be extended up to 1200 meters.

## 2. Parallel wiring for increase load on the DALI line



**DALI LED driver:** include DALI dimming controller, DALI dimming power supply, etc.

**Control Unit:** include DALI master, self-resetting switch, DALI switch panel, DALI sensor, etc.

### Note:

- The length of the DALI control line after the DALI repeater must not exceed 300m (for a cable cross-section of 1.5 mm<sup>2</sup>) or the drop in voltage must not exceed 2V.
- When the DALI bus power supply is powered up, the power indicator (PWR) is always red.
- The DALI signal indicator (COM) is always green, and the DALI signal indicator (COM) blinks for each frame of DALI signal received.
- When the DALI repeater receives an incorrect DALI signal, the DALI signal indicator (COM) will display red for 1 second.
- The outputs of different DALI repeaters can not be connected to each other.
- The outputs of the DALI repeater do not need to be connected to a DALI power supply.
- Single-master operation is recommended; multi-master operation may be limited.

## Safety & Warnings

- Do not install the bus power supply in a humid environment.
- Do not install the bus power supply with electricity.