

Контроллер SR-1009EA (12-24V, 384-768W)



FEATURE

- Work with different sender
- Work with WIFI transmitter
- Control RGBW, RGB, CC-CW, Single color LED lighting

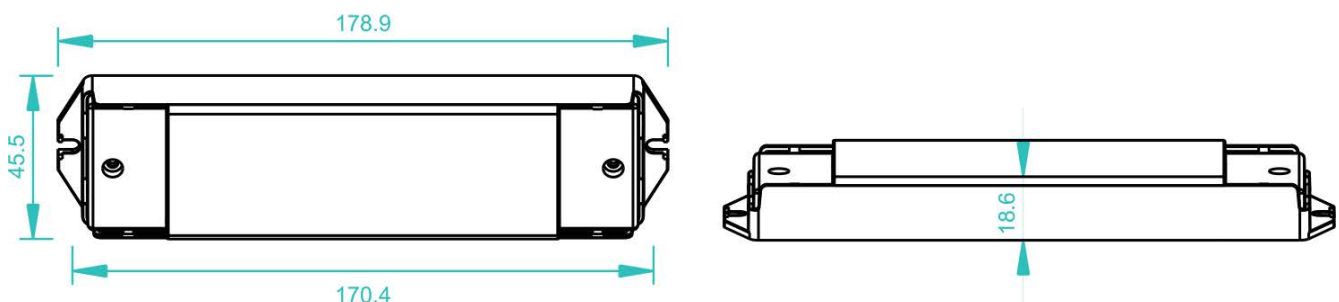
PARAMETER

Part No.	Iuput Voltage	Current	Output	Remarks
SR-1009FA	12-36VDC	4x5A	4x(60-180)W	Constant voltage
SR-1009EA	12-24VDC	4x8A	4x(96-192)W	Constant voltage
SR-1009FA3	12-36VDC	4x350mA	4x(4.2-12.6)W	Constant current
SR-1009FA7	12-36VDC	4x700mA	4x(8.4-25.2)W	Constant current

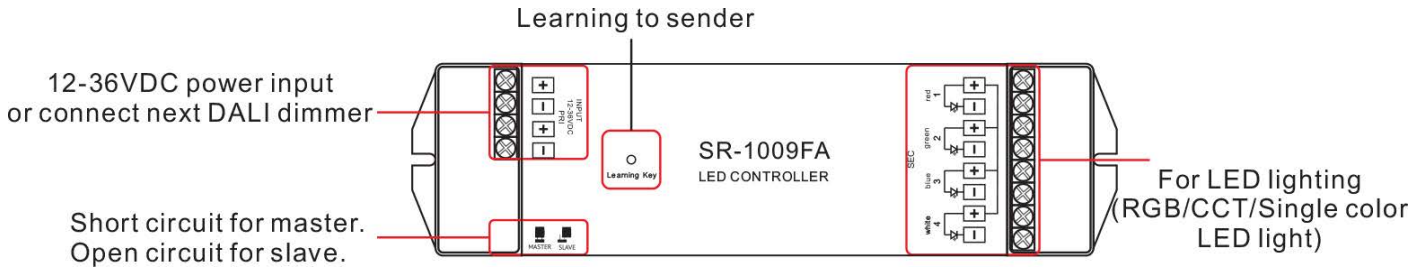
• Suitable sender

RGB+W remote	SR-2818, SR-2819, SR-2819S, SR-2838
CCT remote	SR-2819CCT, SR-2819S-CCT, SR-2838-CTT
Dimmer remote	SR-2819S-DIM, SR-2838-DIM, SR-2833
RGB+W wall mounted panel	SR-2820/ SR-2820(IT)/ SR-2820(US), SR-2835RGB
CCT wall mounted panel	SR-2822/ SR-2822 (IT) / SR-2822(US), SR-2825B/ SR-2825(IT) / SR-2825(US)/SR-2830B/ SR-2830 (IT) / SR-2830(US), SR-2835DIM
Dimmer wall mounted panel	SR-2833k1, SR-2833k2, SR-2833T1/ SR-2833T1 (IT) / SR-2833T1(US), SR-2833T2/SR-2833T2 (IT)/ SR-2833T2(US), SR-2835DIM, SR-2825A SR-2825A (IT)/ SR-2825A(US), SR-2830A/ SR-2830A (IT)/ SR-2830A(US)

PRODUCT SIZE

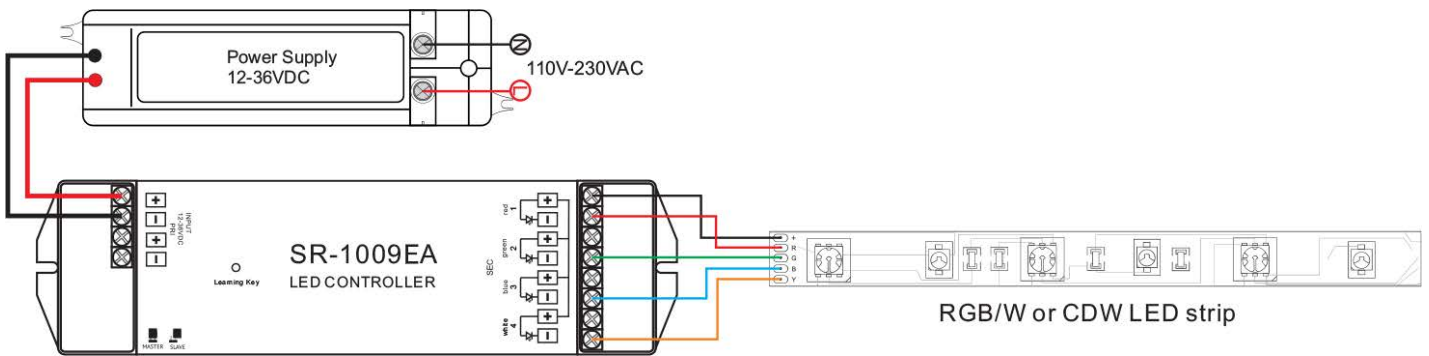


BRIEF INTRODUCTION OF BUTTONS

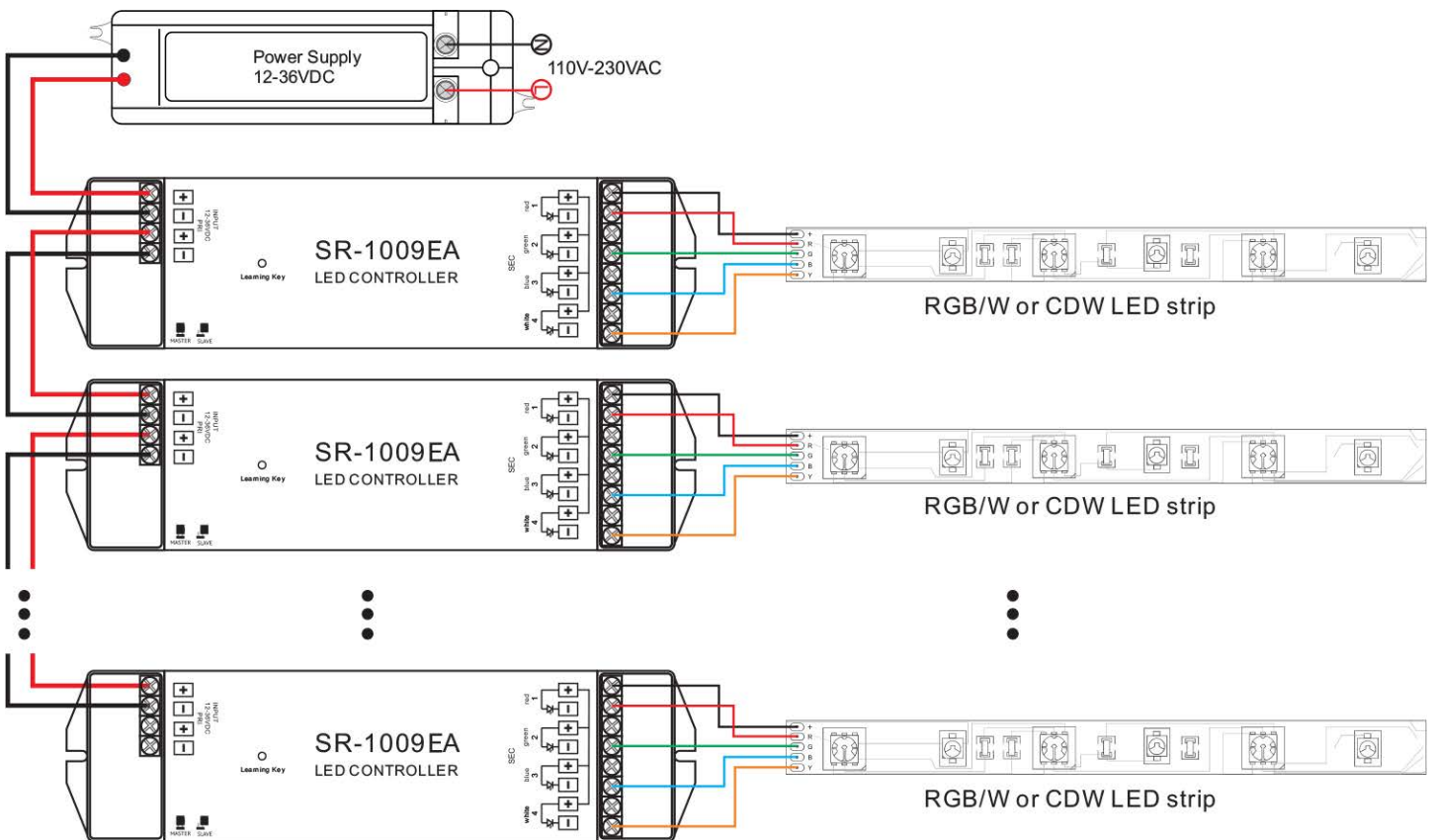


WIRING DIAGRAM

Receiver Connection Diagram for Single Unit



Receiver Connection Diagram for Multiple Units



OPERATION

a. Learning (matching)

- a. Do wiring according to connection diagram
- b. Wake up the remote control by touching ON/OFF button.
- c. Press learning button on receiver.
- d. Touch any zone button on remote control.
- e. Then touch color wheel.
- f. Connected LED light will blink to confirm zone designation.
- g. Press at learning button on receiver over 5 seconds until LED light flash, then delete the learned ID.

Note 1: *To choose a master from slaves by jumper for each zone.*

Short circuit for master.

Open circuit for slave.

Each zone only can set one master controller. After a period of time, the master will do synchronization

operation to keep the same color or mode of all slaves in one zone.

Note 2: *Each remote control 8 zones (areas) receivers, each area can be learned as many receivers as we can.*

Each receiver maximally can be controlled by 8 different remote controllers.

SAFETY & WARNINGS

1. The product shall be installed and serviced by a qualified person.
2. IP20. Please avoid the sun and rain. When installed outdoors, please ensure it is mounted in a water proof enclosure.
3. Always be sure to mount this unit in an area with proper ventilation to avoid overheating.
4. Please check if the output voltage of any LED power supplies used comply with the working voltage of the product.
5. Never connect any cables while power is on and always assure correct connections to avoid short circuits before switching on.
6. Please ensure that the cable is secured tightly in the connector
7. For update information please consult your supplier.