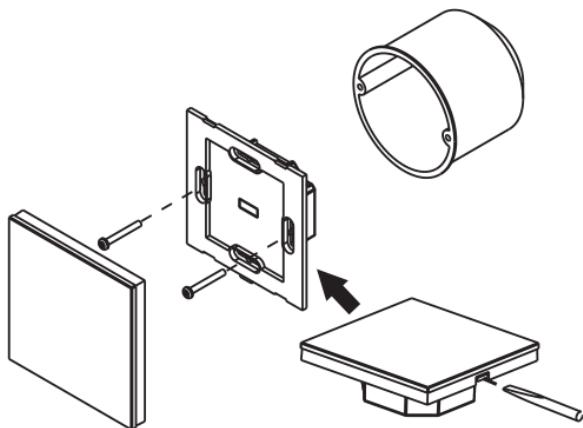


## Панель DMX Rotary Dimmer SR-2202 (Wall-in) Панель Rotary SR-2202-IN White (12-24V, DMX, DIM)



- 1 zone
- Knob rotate
- Glass interface
- DMX512 output

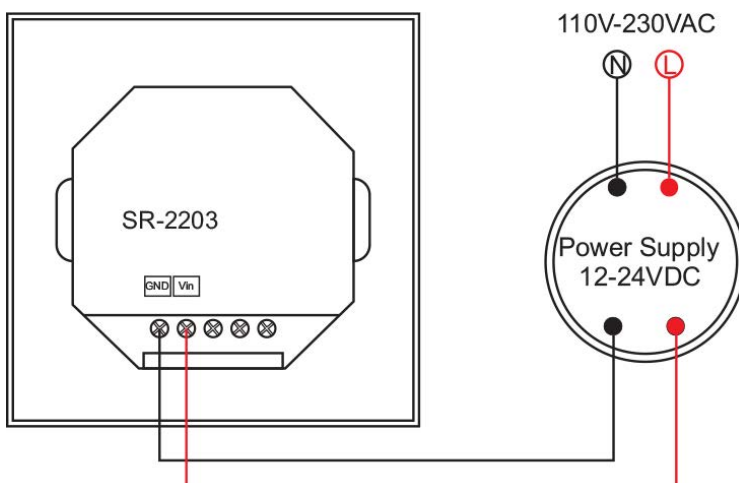
### INSTALLATION

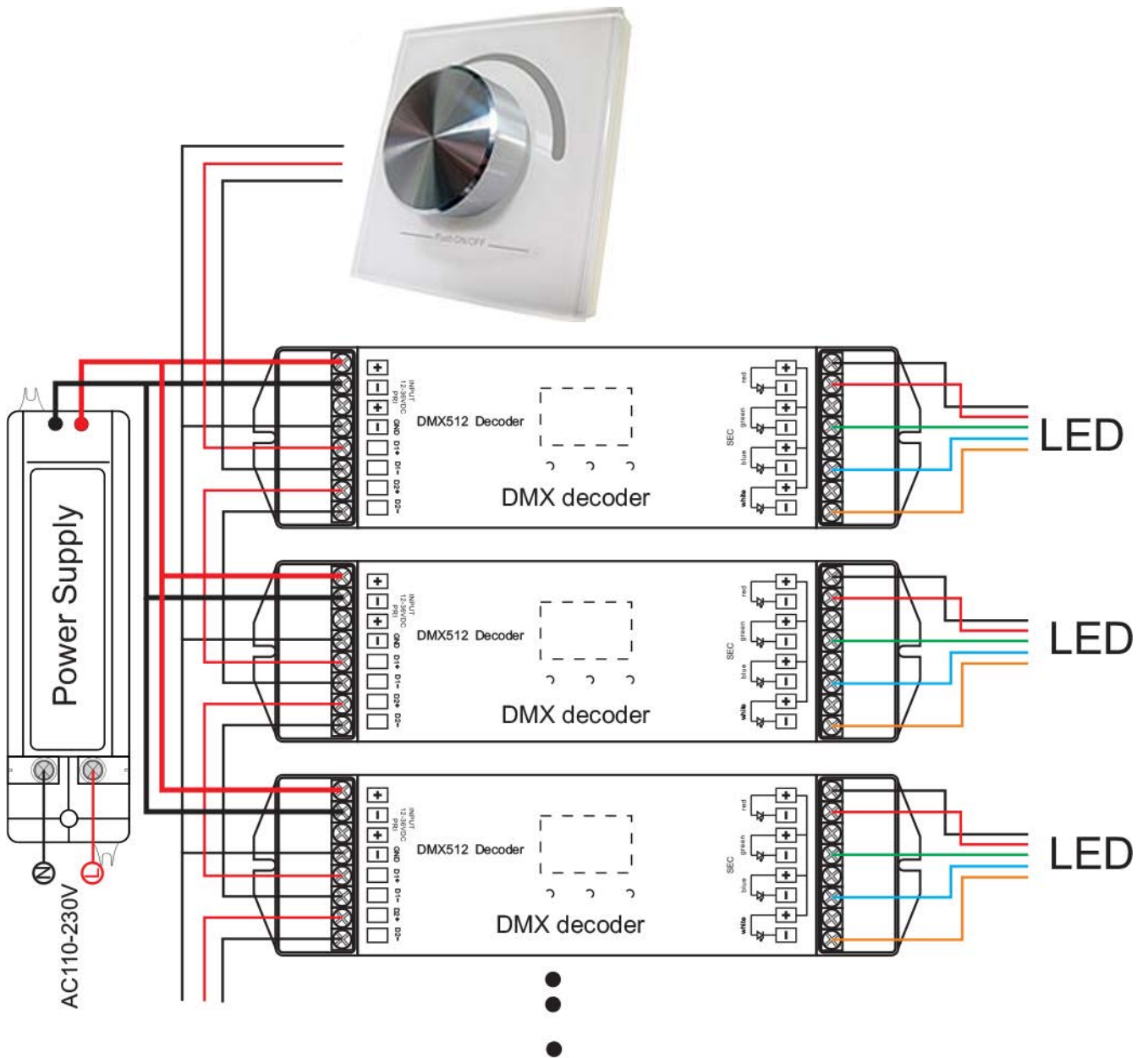


### PRODUCT SIZE (mm)



### WIRING DIAGRAM





**Set Zones by DMX Addresses on decoders**, please set the connected DMX512 decoders' addresses as below:

DMX decoders' address 001 for zone 1.

It can pair endless of dmx decoders if you set the address accordingly.

## OPERATION

Press downward to switch on/off, rotate to dim up/down