

# DALI/DMX 8-Channel Relay Unit

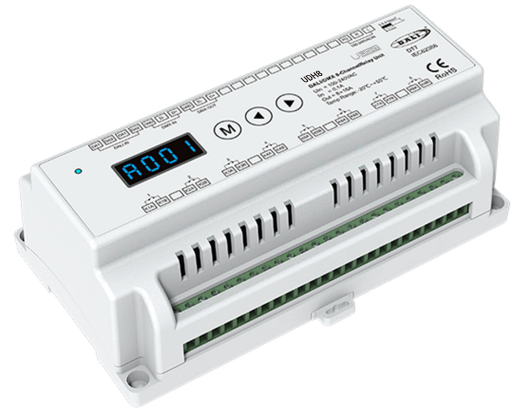
UDH8

a010069



DT7 / 8,4,2 DALI address / DMX-RDM / 8-channel dry contact output / Numeric display / Din Rail

- Three operating modes: DALI mode, DMX mode and manual mode.
- LED segment display and 3 button operation.
- Compliant DALI device type 7, DALI-2 certified, in accordance with DALI standard protocol IEC 62386-101,102, 208 and in compliance with DALI products from other international incorporation.
- DALI address can be manually assigned and shown in digital display or automatically assigned by DALI master.
- Comply with the DMX512 standard protocols, support RDM function.
- Support manual switch.
- High-inrush specification relays (single pole, normally open).
- Zero cross switching function, 8 independently output channels.
- Can operate as:
  - 8 individual channels (8 × 1)
  - 4 sets of 2 channels (4 × 2)
  - 2 sets of 4 channels (2 × 4)

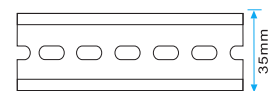
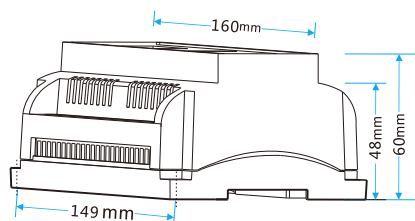
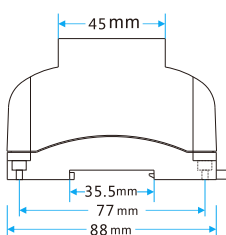
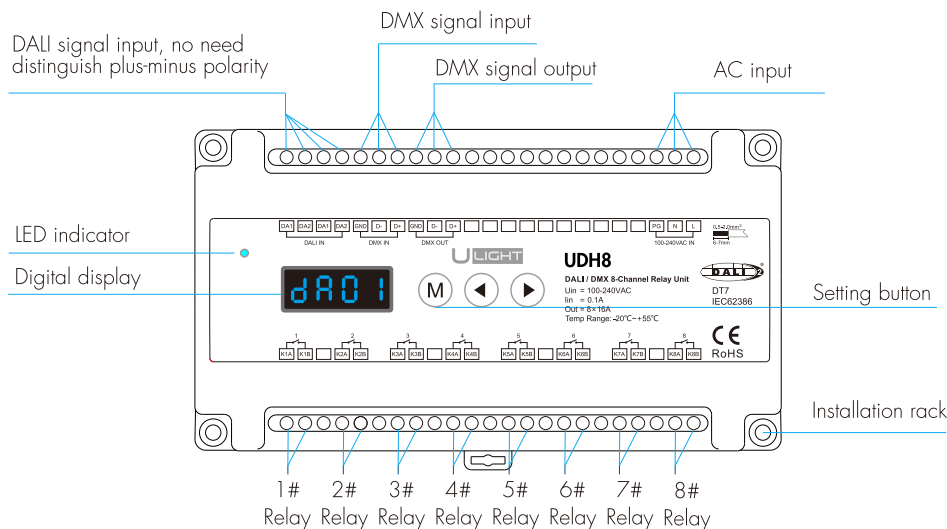


CE RoHS LVD

## Technical Parameters

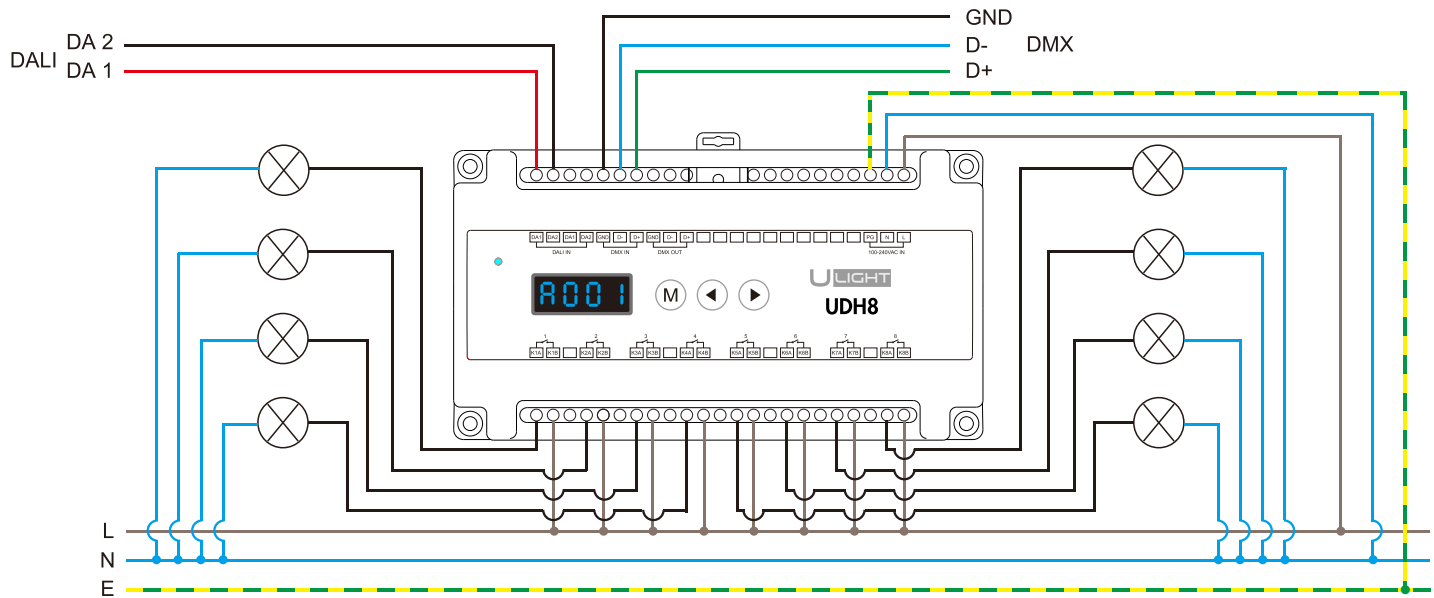
Input and Output	Environment	Safety and EMC
Input voltage 100-240VAC	Operation temperature T <sub>a</sub> : -20°C ~ +55°C	EMC standard (EMC) ETSI EN 301 489-1 V2.2.3
Input current 0.1A	Case temperature (Max.) T <sub>c</sub> : +70 °C	EMC standard (EMC) ETSI EN 301 489-17 V3.2.4
Full load loss power Max. 12W	IP rating IP20	Safety standard(LVD) EN 62368-1:2020+A11:2020
Input signal DALI and DMX512		Certification CE,EMC,LVD
Relay contacts High inrush (120 A at 20ms), single-pole, single-throw (SPST) relay.	<b>Package</b>	<b>Warranty</b>
Max relay load current 16A resistive load (incandescent lamp) 8A Capacitive load (LED dimming driver) 8A inductive load (fluorescent lamp)	Size L165 x W98 x H72mm	Warranty 5 years
	Gross weight 0.422kg	

## Mechanical Structures and Installations



DIN Rail Mounting Size: TS-35/7.5 or TS-35/15

## Wiring Diagram



## Operation

### Work mode setting

Short press M button to switch DALI mode, manual mode and DMX mode.

DALI mode, display "dAxx", xx is DALI address.

Manual mode, display "Hxon" or "HxoF", x is 1-8 channel.

DMX mode, display "Axxx", xxx is DMX start address.



DALI mode  
(dA00~dA63)



Manual mode  
(H1on~H8on)



DMX mode  
(A001~A512)

### Channel setting

- Long press M and ◀ button for 2s, prepare for setup channel. This setting is valid for all three work modes.
- Short press ◀ or ▶ button to switch 8 independent channels("CH-8"), 4 groups of 2 channels("CH-4") or 2 groups of 4 channels("CH-2").
- Short press M button or timeout 10s, quit channel setting.

### DALI mode

Set start DALI Address via buttons:

- Display "dAxx", xx is start DALI address.
- Long press ◀ or ▶ button for 2s, prepare for setup DALI address.
- Short press ◀ or ▶ button to setup start DALI address.
- Short press M button or timeout 10s, quit DALI address setting.

DALI address assigned by DALI masters:

DALI address can also be assigned by DALI Master controller automatically.

Please refer to user manuals of compatible DALI Masters for specific operations.

The digital display will show "dAAU" When the DALI master is assigning address.

After address is assigned, the digital display will show the start DALI address "dAxx", xx is from 00 to 63.

Using the DALI master to assign addresses may result in discontinuous addresses, and the starting DALI address "dUxx" is displayed.

### Manual mode

- Display "Hxon" or "HxoF", x is 1-8 channel, "on" is ON state, "oF" is OFF state.
- Short press ◀ button to switch channel.
- Short press ▶ button to switch ON/OFF state.

### DMX mode

Set start DMX Address via buttons:

- Display "Axxx", xxx is start DMX address.
- Long press ◀ or ▶ button for 2s, prepare for setup DMX address.
- Short press ◀ or ▶ button to setup start DMX address.
- Short press M button or timeout 10s, quit DMX address setting.