

ARPJ-LA08700 (5W, 700mA)

Features:

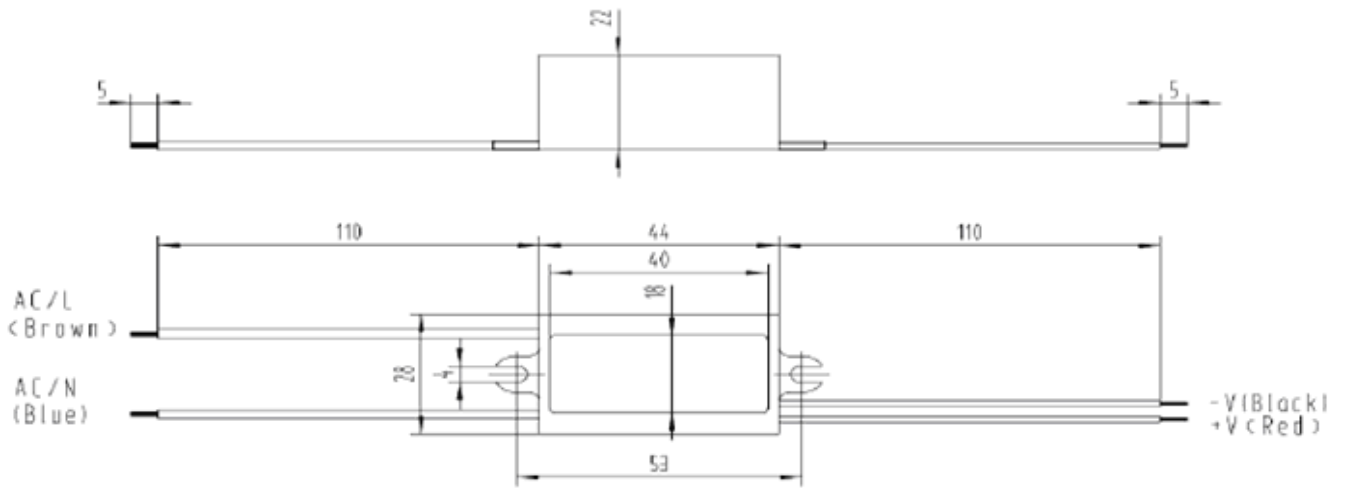
- Constant current mode power supply
- Universal AC input / Full range
- Protectins: Over current
- Small and compact size



Specification:

OUTPUT	DC VOLTAGE	7V
	DC VOLTAGE RANGE	2-7V
	CURRENT RANGE	700mA ±5%
	RATED POWER	4.2W
	RIPPLE & NOISE (max.)	200mVp-p
	VOLTAGE TOLERANCE	±3.0%
	LINE REGULATION	±1.0%
	LOAD REGULATION	±2.0%
	SETUP, RISE, HOLD UP TIME	500ms,250ms, 50ms/230VAC
INPUT	VOLTAGE RANGE	100-240Vac
	FREQUENCY RANGE	47~63Hz
	EFFICIENCY (Typ.)	60 % full load at 100VAC 72 % full load at 240VAC
	AC CURRENT	0.15A/100AC 0.1A/200AC
	INRUSH CURRENT (max.)	COLD STAT 30A/230VAC
	LEAKAGE CURRENT	0.25mA/240VAC
PROTECTION	OVER CURRENT	With stand Short circui output for 30 seconds
ENVIRONMENT	WORKING TEMP.	-40~+50°C
	WORKING HUMIDITY	20~90% RH non-condensing
	STORAGE TEMP., HUMIDITY	-40~+80°C, 10~95% RH
	TEMP. COEFFICIENT	±0.03%/°C (0~50°C)
	VIBRATION	10 ~ 500Hz, 2G 10min./1cycle, period for 60min. each along X,Y,Z axes
SAFETY & EMC	SAFETY STANDARDS	Design refer to UL1310 Class 2, TUV EN60950-1, EN61347-2-13, CAN/CSA C22.2 No. 223-M91, meet IP65
	WITHSTAND VOLTAGE	I/P-O/P:3kVAC
	ISOLATION RESISTANCE	I/P-O/P:>100M Ohms / 500VDC / 25~70% RH
	EMI CONDUCTION & RADIATION	Compliance to EN55022 (CISPR22) Class B
	HARMONIC CURRENT	Compliance to EN61000-3-2,-3
	EMS IMMUNITY	Compliance to EN61000-4-2,3,4,5,6,8,11; ENV50204, EN55024, light industry level, criteria A
DIMENSION	59*28*22mm (L*W*H)	

Mechanical Specification:



Block Diagram:

