

Серия  
**Панель SR-2805x (диммер 1 зона)**



SR-2805R



SR-2805D

**SR-2805D** is portable rotary RF dimmer with 256 levels logarithmic dimming from 1- 100%.

**SR-2805R** is wall rotary RF dimmer with 256 levels logarithmic dimming from 1- 100%. Simple and friendly use for dimming and switching ON/ OFFf or 1 zone controlled.

### Parameters

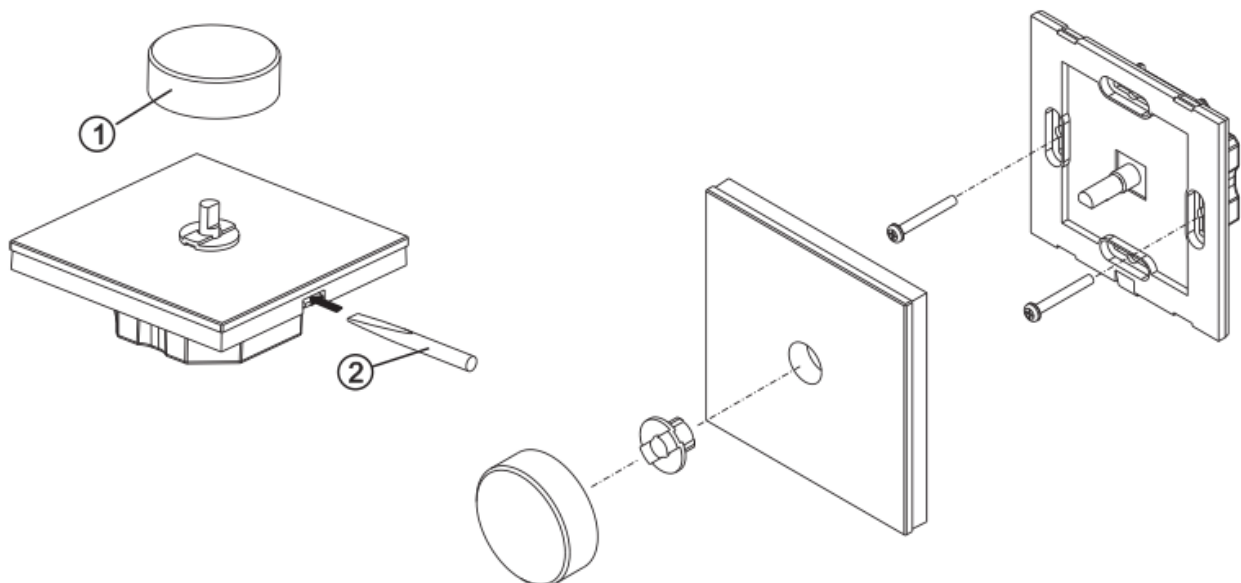
Remote: (SR-2805D & SR-2805R)

- Operation voltage: 3VDC (CR2032 & CR2025)
- Operation frequency: 434MHZ/ 868MHZ

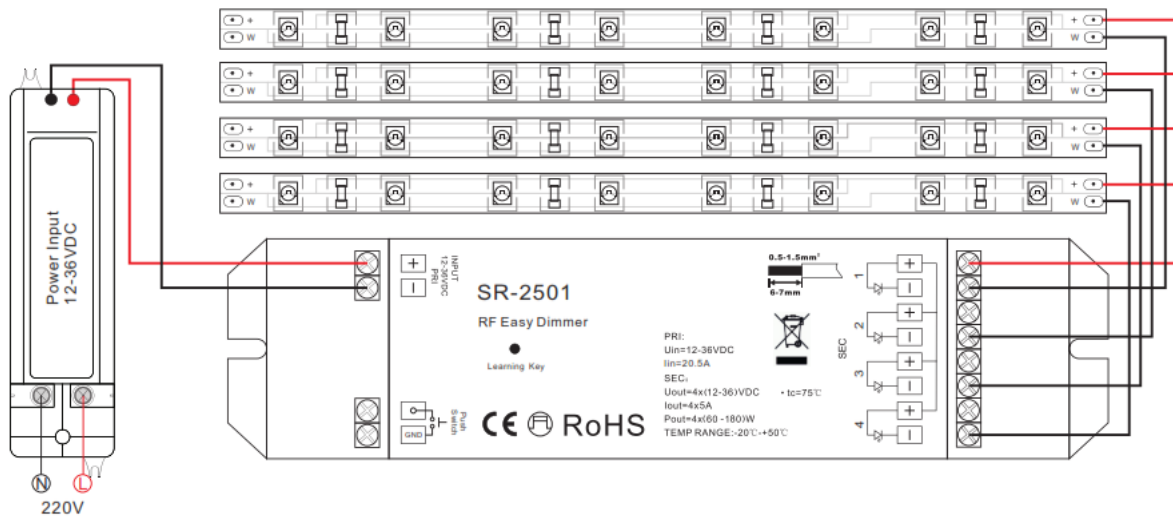
Receiver:

- SR-2501: 12-36V DC input, 4 channels x 5A, constant voltage, 4 channels x(60- 180)W
- SR-2501EA: 12-24V DC input, 4 channels x 8A, constant voltage, 4 channels x(96- 192)W
- SR-2502: 12-36VDC input, 4 channels x 350mA, constant current , 4 channels x(4.2- 12.6)W
- SR-2503: 12-36VDC input, 4 channels x 700mA, constant current , 4 channels x(8.4- 25.2)W

### Installation



## Wiring diagram




SR-2805R




SR-2805D

## Operation Manual

Please pair remote and receiver, after finishing connecting receivers with LED lights correctly, base on diagram above.

Press shortly the learning Key ● on the receiver, then push the rotary button  . Once successfully learn, the LED light will blink on the receiver. Do the same for the other receivers if you use them, you can add as many optional receiver as you want .

Short push rotary button  to switch ON/OFF

Adjust dim brightness by the rotary button from left to right 1 - 100%

Adjust dim brightness by the rotary button from right to left 100- 1%