

EUC-150-24-DIM (24V, 6.25A, 150W)



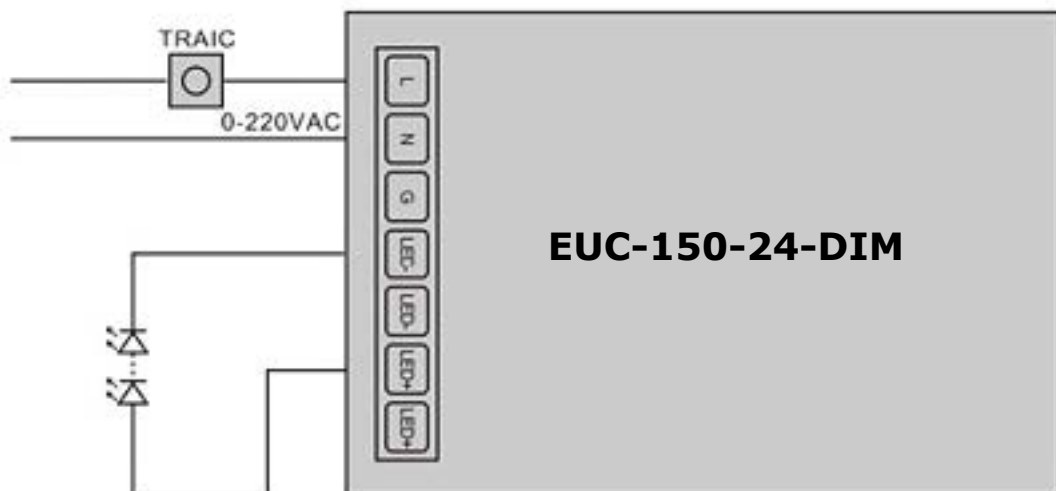
FEATURES

- Support Leading edge (Triac) and Trailing edge (ELV) Dimmer. To change input voltage via phase cut, in order to achieve perfect effect, please select dimmer properly
- 24VDC constant voltage output, max current 6.25A
- Dimming range from 40V-240VAC; Dimming curve smooth
- Protections: Short circuit / Overload / Over temperature
- Dimming curve difference between products can be adjust by adjustable resistance
- Has Power indicate LED
- 100% full load burn-in test

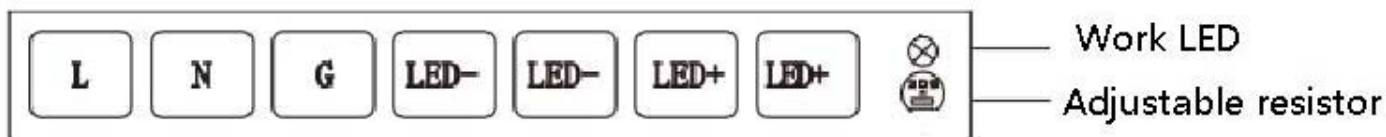
TECHNICAL PARAMETERS

	Min	Nom	Max	Unit
Dimming voltage range	100		240	VAC
Input current			2	A
Input frequency		50/60		Hz
Efficiency	75%			
Output voltage	-	24VDC	-	
Output current	-	-	6.25	A
Output Power	-	-	150	W
Pressure voltage	1.5KVAC			
Product Dimension	L200*W98*H39(mm)			
Pack Dimension	L210*W108*H46(mm)			
N.W.	612g			
G.W	673g			

WIRING DIAGRAM:



DIMMING CURVE ADJUSTMENT:



If the dimming curve has a little difference between products, it can be eliminated by adjustable resistor

- 1: Rotate the adjustable resistor in colckwise, the dimming curve will be bright down
- 2: Rotate the adjustable resistor in anticolckwise, the dimming curve will be bright up

DIMENSION

