

## ARPJ-LA481050 (50W, 1050mA) ARPJ-LA80700 (50W, 700mA)

### Application

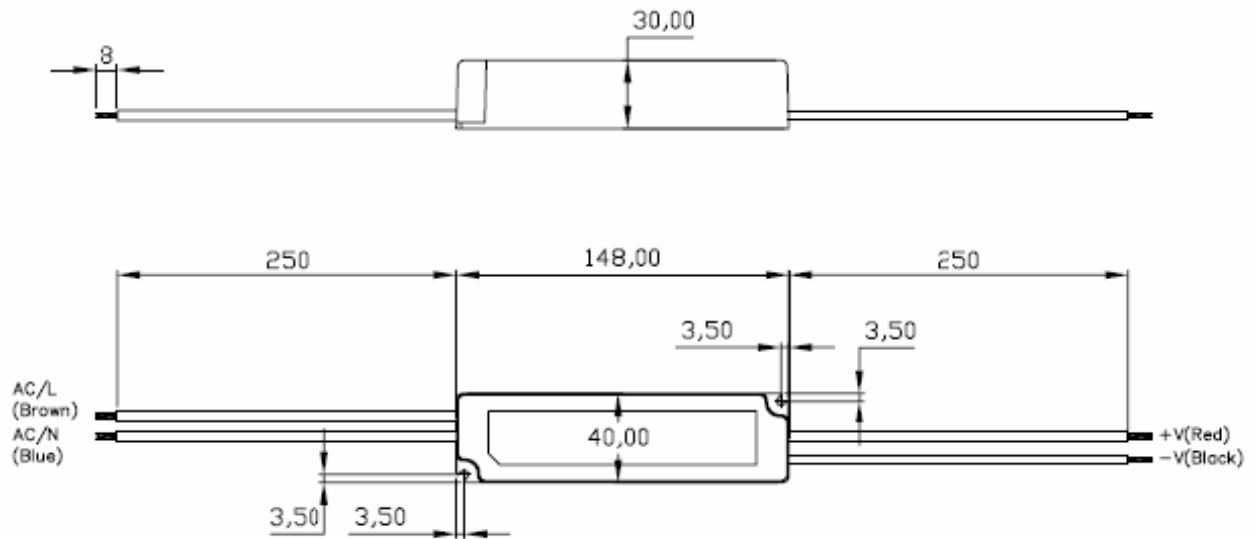
- Constant current mode power supply
- Universal AC input / Full range
- Protections: Short circuit / Over current
- Small and compact size
- UL1310 Class 2 power unit, pass LPS
- 100% full load burn-in test
- Suitable for LED lighting and moving sign applications
- 2 years warranty



### Specification

MODEL		ARPJ-LA481050	ARPJ-LA80700
OUTPUT	DC VOLTAGE	48V	72V
	DC VOLTAGE RANGE	9-48V	30-72V
	CURRENT RANGE	1050mA ±3%	700mA ±3%
	RATED POWER	50W	50W
	RIPPLE & NOISE (max.)	200mVp-p	300mVp-p
	VOLTAGE TOLERANCE	±3.0%	
	LINE REGULATION	±1.0%	
	LOAD REGULATION	±2.0%	
	SETUP, RISE TIME	500ms,250ms/230VAC 500ms,250ms/115ac at full load	
	HOLD UP TIME (Typ.)	50ms/230VAC 24ms/115VAC at full load	
INPUT	VOLTAGE RANGE	100-240VAC	
	FREQUENCY RANGE	47~63Hz	
	EFFICIENCY(Typ.)	85% full load	85% full load
	AC CURRENT(at full load)	1.1A/100AC 0.5A/240AC	
	INRUSH CURRENT (max.)	COLD STAT 70A/230VAC	
LEAKAGE CURRENT	0.25mA/240VAC		
PROTECTION	OVER CURRENT	Above 105% rated output power. Protection type: Hiccup mode, recovers automatically after fault condition is removed.	
	OVER TEMPERATURE	Tj 140°C typically(U1) Detect on main control IC Protection type: Hiccup mode, recovers automatically after temperature goes down	
ENVIRONMENT	WORKING TEMP.	-20~+50°C	
	WORKING HUMIDITY	20~90% RH non-condensing	
	STORAGE TEMP., HUMIDITY	-40~80°C, 10~95% RH	
	TEMP.COEFFICIENT	±0.03%/°C (0°C~50°C)	
	VIBRATION	10 ~ 500Hz, 2G 10min./1cycle, period for 60min. each along X,Y, Zaxes	
SAFETY & EMC	SAFETY STANDARDS	Design refer to UL1310 Class 2,TUVEN60950-1, EN61347-2-13, CAN/CSA C22.2 No. 223-M91, meet IP65	
	WITHSTAND VOLTAGE	I/P-O/P:3KVAC	
	ISOLATION RESISTANCE	I/P-O/P:>100MOhms / 500VDC / 25°C 70%RH	
	EMI CONDUCTION & RADIATION	Compliance to EN55022 (CISPR22) Class B	
	HARMONIC CURRENT	Compliance to EN61000-3-2,-3	
EMS IMMUNITY	Compliance toEN61000-4-2,3,4,5,6,8,11; ENV50204,EN55024, light industry level , criteria A		
DIMENSION	148*40*30mm (L*W*H)		

## Mechanical Specification



## Block Diagram

