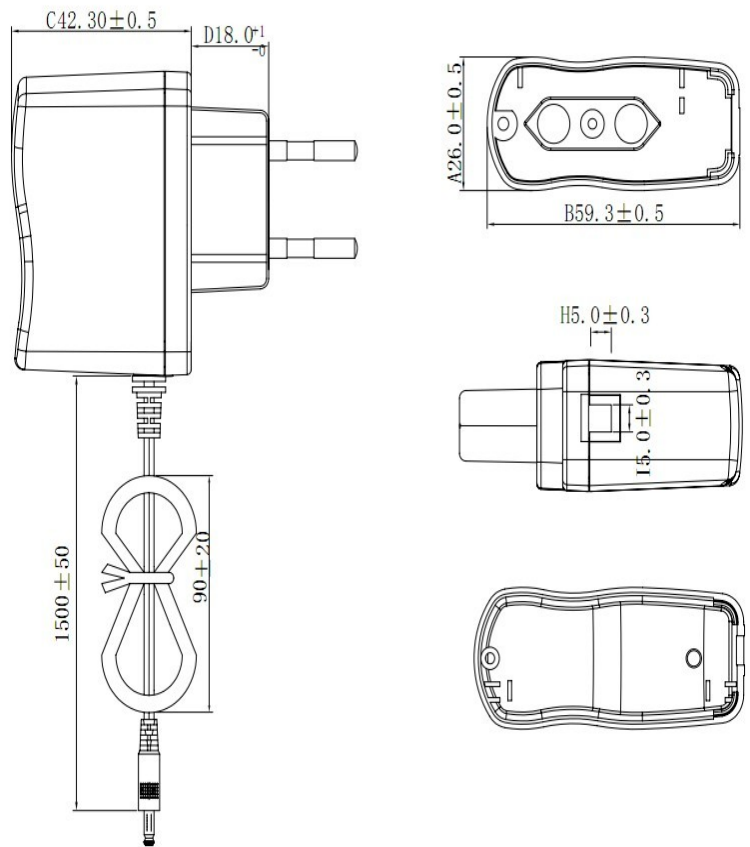


ARDV-05005EP (5V, 1A, 5W)

Input Cable: DIRECT PLUG-IN
 Output Cable: 2464 WG24#*2C*80*1.5M
 +5.5*2.1*10MM DC Plug BK
 Input voltage: 100~240VAC
 Output voltage: 5VDC
 Relative humidity 85% RH. Non-condensing



Drawing:



Electronical specification

INPUT VOLTAGE:	100~240 Vac
INPUT RANGE VOLTAGE:	100~264 Vac
INPUT FREQUENCY:	50~60 Hz
INPUT RANGE FREQUENCY:	47~63 Hz
INPUT CURRENT:	0.3 Amp. rms. at 100 Vac
INRUSH CURRENT:	25 Amp. peak at 100 Vac 40 Amp. peak at 240 Vac. Tested At Max. load 25°C, Cold start
OUTPUT VOLTAGE:	5 V
REGULATION:	± 5 %
MIN. LOAD CURRENT:	0 A
MAX LOAD CURRENT:	1000m A
RIPPLE AND NOISE 1:	200 mVp-p Max. At 100 Vac, 50/60 Hz, Max. load 25°C
RIPPLE AND NOISE 2:	200 mVp-p Max. At 240 Vac, 50/60 Hz, Max. load 25°C
NOISE TEST BANDWIDTH:	20 MHz
LINE REGULATION:	INPUT = 100 ~ 260 Vac. output loaded at Max. load. REGULATION = ± 5 %
TOTAL OUTPUT:	5 W
POWER EFFICIENCY:	62% Min. at 100~260 Vac 50/60 Hz. Max. load.
OVER CURRENT PROTECTION, SHORT CIRCUIT PROTECTION	
OVER CURRENT PROTECTION , SHORT CIRCUIT PROTECTION (LATCHED SHUTDOWN)	
TOTAL POWER PROTECTION:	9 W THE STANDBY POWER: 0.5 W max.
OVER VOLTAGE PROTECTION:	12Vdc Max.

Mechanical specification

DIMENSIONS:	59(L) * 25.5 (W) * 41(H)mm (Tolerance as drawing)
WEIGHT:	75 g Max.
OPERATING TEMPERATURE:	0°C + 40°C
STORAGE TEMPERATURE:	-20°C To 60°C
RELATIVE TEMPERATURE:	40 °C ± 2 °C