

## ARPJ-LA241400 (34W, 1400mA)

### Features

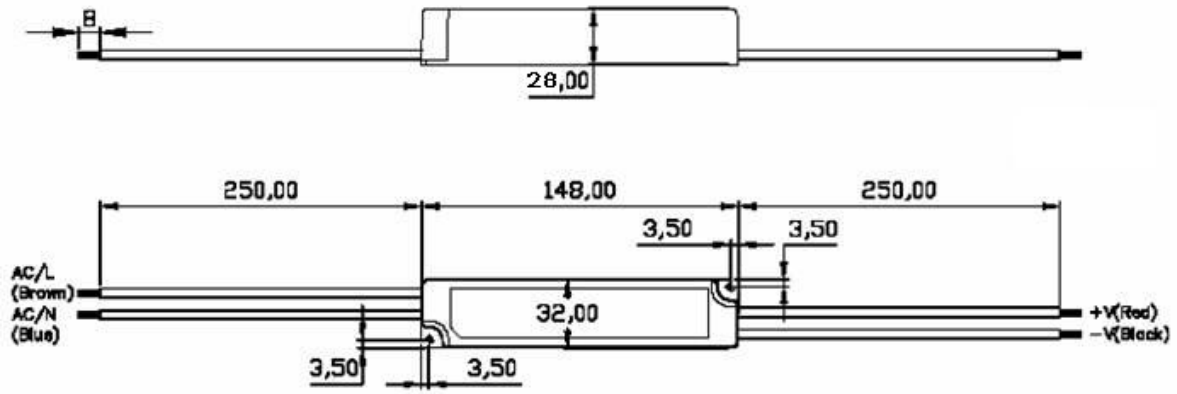
- Constant current mode power supply
- Universal AC input / Full range
- Protections: Short circuit / Over current
- Small and compact size
- UL1310 Class 2 power unit, pass LPS
- 100% full load burn-in test
- Suitable for LED lighting and moving sign applications
- 2 years warranty



### Specification

OUTPUT	DC VOLTAGE	24V
	DC VOLTAGE RANGE	9-24V
	CURRENT RANGE	1400mA $\pm$ 3%
	RATED POWER	34W
	RIPPLE & NOISE(max.)	200mVp-p
	VOLTAGE TOLERANCE	$\pm$ 3.0%
	LINE REGULATION	$\pm$ 1.0%
	LOAD REGULATION	$\pm$ 2.0%
	SETUP, RISE, HOLD UP TIME	500ms,250ms/230VAC 500ms,250ms/115ac at full load
	HOLD UP TIME (Typ.)	50ms/200VAC 24ms/100VAC at full load
INPUT	VOLTAGE RANGE	100-240VAC
	FREQUENCY RANGE	47~63Hz
	EFFICIENCY (Typ)	84% full load
	AC CURRENT	0.75A/100VAC 0.35A/240VAC
	INRUSH CURRENT(max.)	COLD STAT 70A/230VAC
	LEAKAGE CURRENT	0.25mA/240VAC
PROTECTION	OVER CURRENT	Above 105% rated output power. Protection type: Hiccup mode, recovers automatically after fault condition is removed.
	OVER TEMPERATURE	Tj 140°C typically(U1) Detect on main control IC Protection type: Hiccup mode, recovers automatically after temperature goes down
ENVIRONMENT	WORKING TEMP	-20~50°C
	WORKING HUMIDITY	20~90% RH non-condensing
	STORAGE TEMP., HUMIDITY	-40~80°C, 10~95% RH
	TEMP.COEFFICIENT	$\pm$ 0.03%/°C (0~50°C)
	VIBRATION	10 ~ 500Hz, 2G 10min./1cycle, period for 60min. each along X,Y, Z axes
SAFETY & EMC	SAFETY STANDARDS	Design refer to UL1310 Class 2, TUVEN60950-1, EN61347-2-13, CAN/CSA C22.2 No. 223-M91, meet IP67
	WITHSTAND VOLTAGE	I/P-O/P:3KVAC
	ISOLATION RESISTANCE	I/P-O/P:>100M Ohms / 500VDC / 25~70% RH
	EMI CONDUCTION&RADIATION	Compliance to EN55022 (CISPR22) Class B
	HARMONIC CURRENT	Compliance to EN61000-3- 2,-3
	EMS IMMUNITY	Compliance to EN61000-4-2,3,4,5,6,8,11; ENV50204,EN55024, light industry level , criteria A
	DIMENSION	148*32*28mm (L*W*H)

### Mechanical specification:



### Block Diagram

