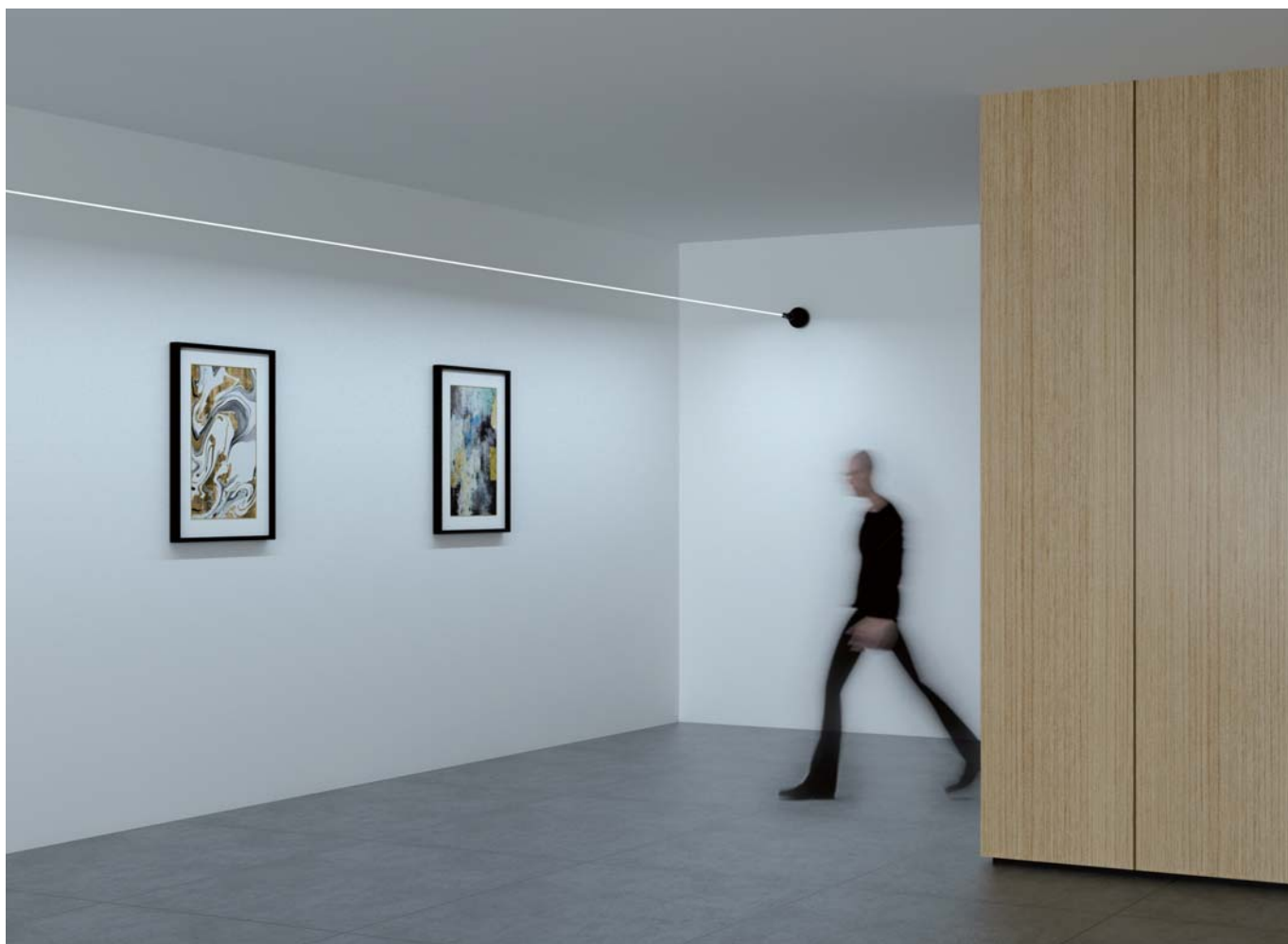


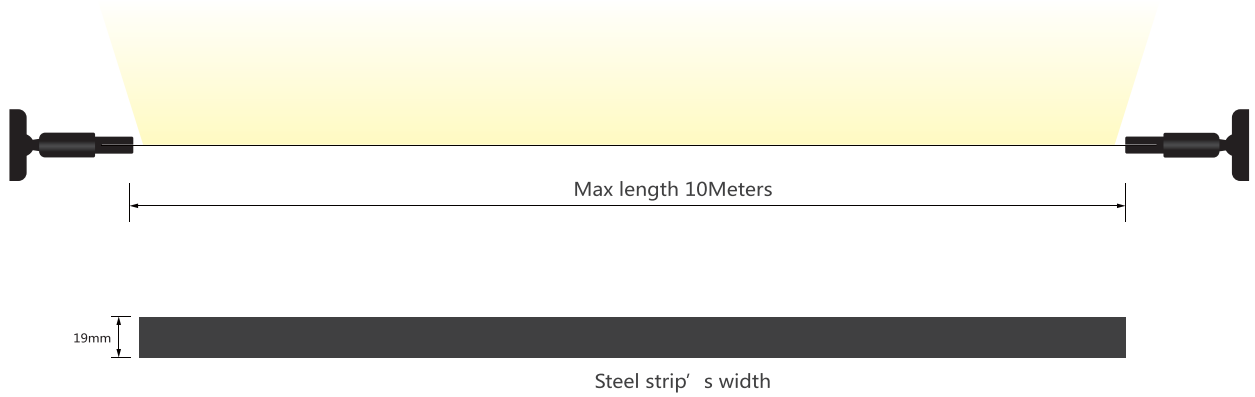
# SKYLINE LINEAR LIGHT

**Model: Ustrip USL**



Application

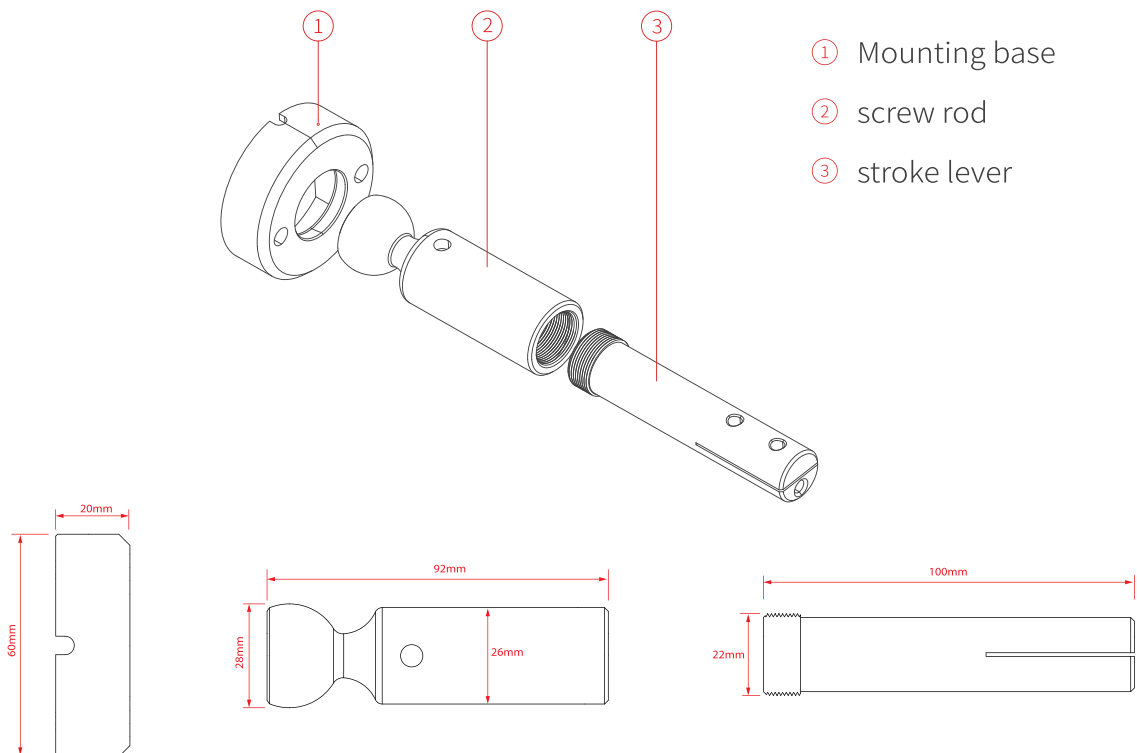




Note:  
 Max length 10 Meters,  
 can be arbitrarily cut,  
 recommended light source



## Dimension drawing



## Bill of material

### optional accessories



① Plastic Steel Strip  
USL-AL10 α000058



② Steel Strip  
USL-BL10 α000059

### Kit USL-0001



scissors

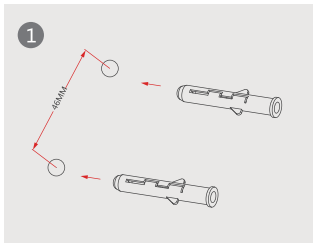
gloves



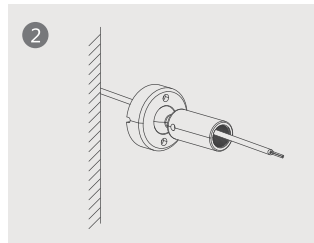
### optional accessories USL α000057

- ③ stroke lever
- ④ screw rod
- ⑤ Mounting base
- ⑥ Connection terminal
- ⑦ Screw
- ⑧ Expansion Plug
- ⑨ rocket screwdrivers

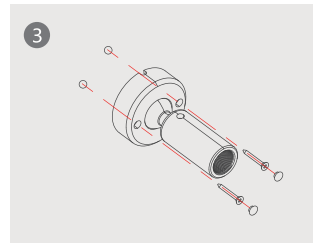
## Installation procedure:



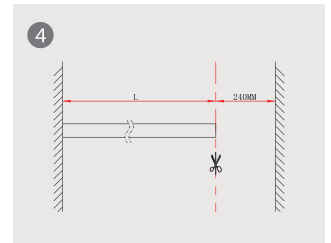
On the mounting surface drill two  $\varnothing 6\text{mm}$  holes with a distance of 42mm, and install a plastic expansion plug



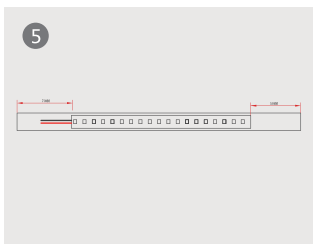
The input wire passed through the bottom box and the screw rod



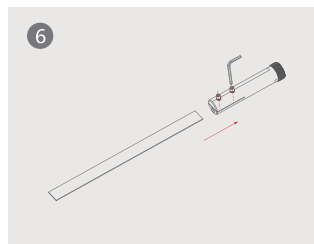
Pass the screw rod through the base and fix the base onto the mounting surface



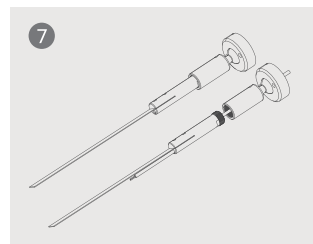
Measure the distance between two installation points, the length of the steel strip is 240mm less than the measured length.



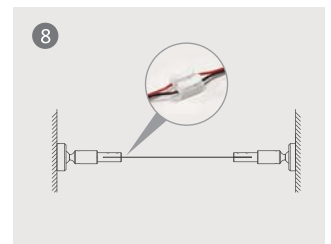
Paste the LED on the steel strip, reserve 70mm at the beginning end and 50mm at the end;



Lock the steel strip tightly with the paper travel rod

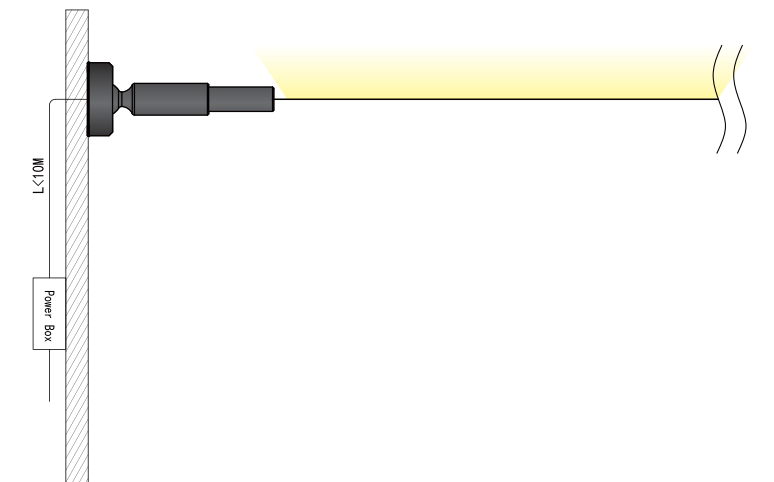
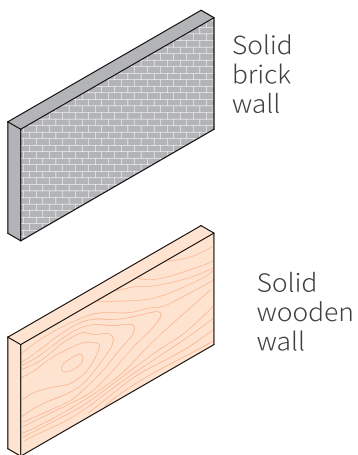
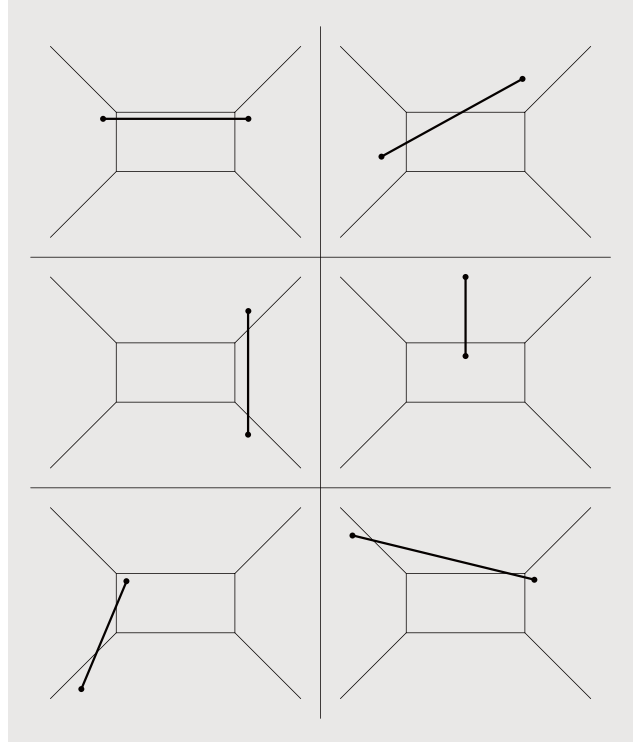
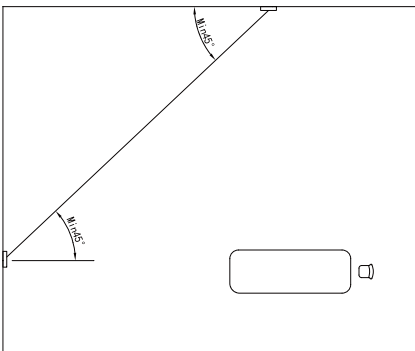
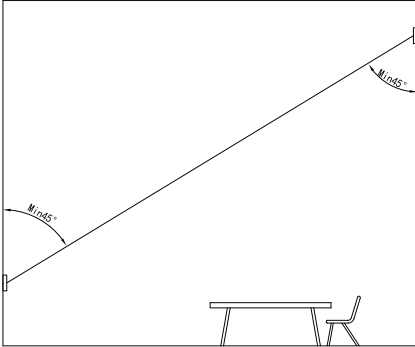


Firstly fix the stroke rod at the outlet end, then fix the stroke rod at the other end



Plug the quick plug terminal on both sides and make it through by pressing tightly.

## Installation guideline

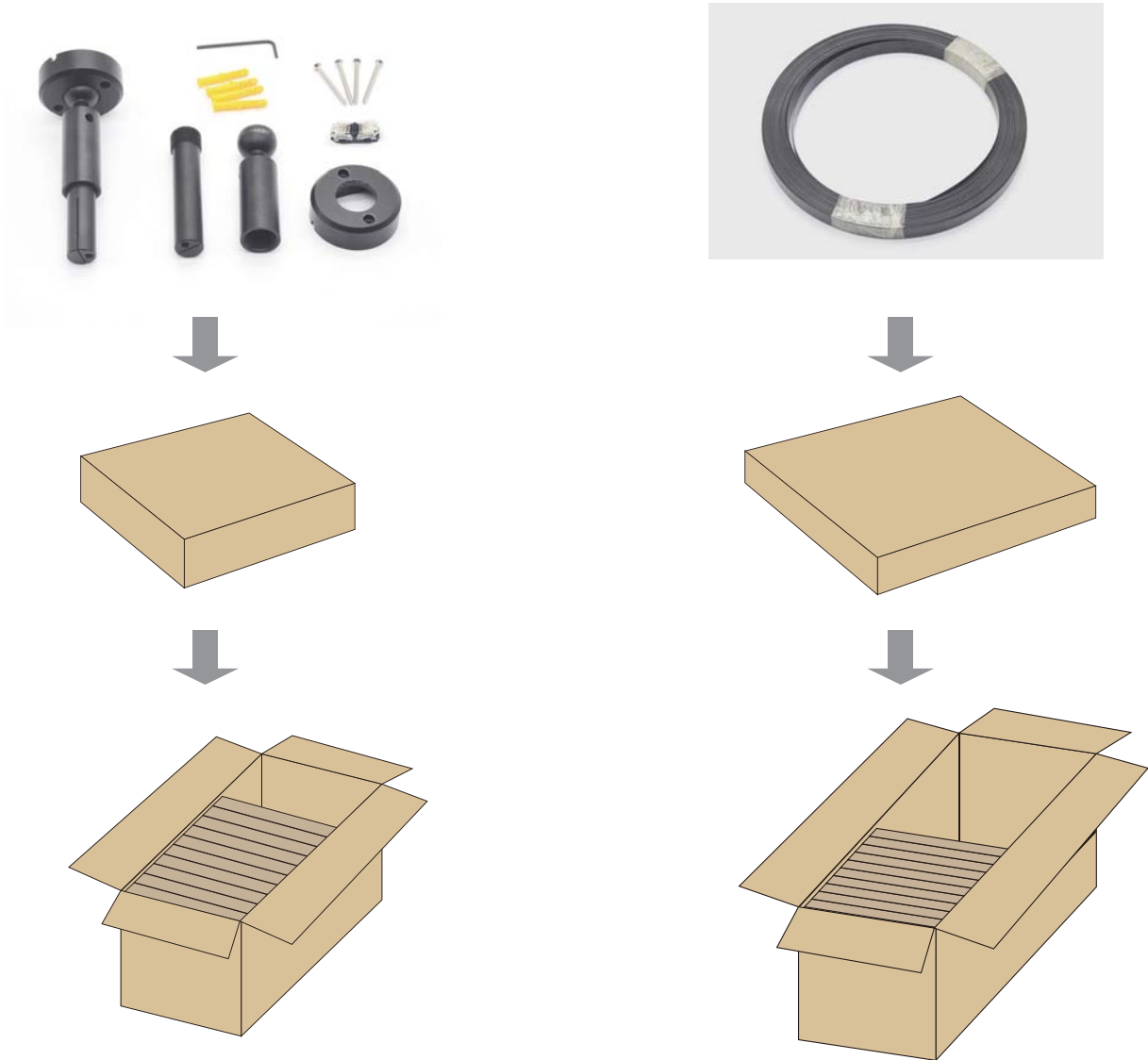


**Note:**

1. The installation surface of this product must be solid wood wall, concrete wall, brick wall, etc. Please do not install it on the surface of plaster wall or hollow wall;

2. When cutting and installing the steel strip, please wear goggles and protective gloves. The steel strip is elastic, disassemble the steel strip when it is safe.

Packing List



parts	Specification of outer box	Packing type	Packing quantity	Gross weight of packing
Basic accessories USL α000057	L65.5xW21.5xH20.5cm	Carton + CartonBOX	20pcs	9kg
Steel Strip USL-BL10 α000059	L37.5xW26.5xH26.5cm	Carton + CartonBOX	15pcs	5.9kg
Plastic Steel Strip USL-AL10 α000058	L37.5xW26.5xH26.5cm	Carton + CartonBOX	15pcs	13.7kg