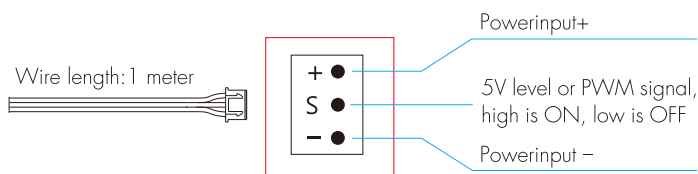


| Model | Product name | Product picture | Size | Sensor data |
|--------|-------------------------|-----------------|------|---|
| UEB(C) | Hand sweep sensing head | | | Sensitive field: $\leq 10\text{cm}$ Sensitive angle: 15-30 |
| UED(C) | Door sensing head | | | Sensitive field: $\leq 8\text{cm}$ Sensitive angle: 15-30 |

Features

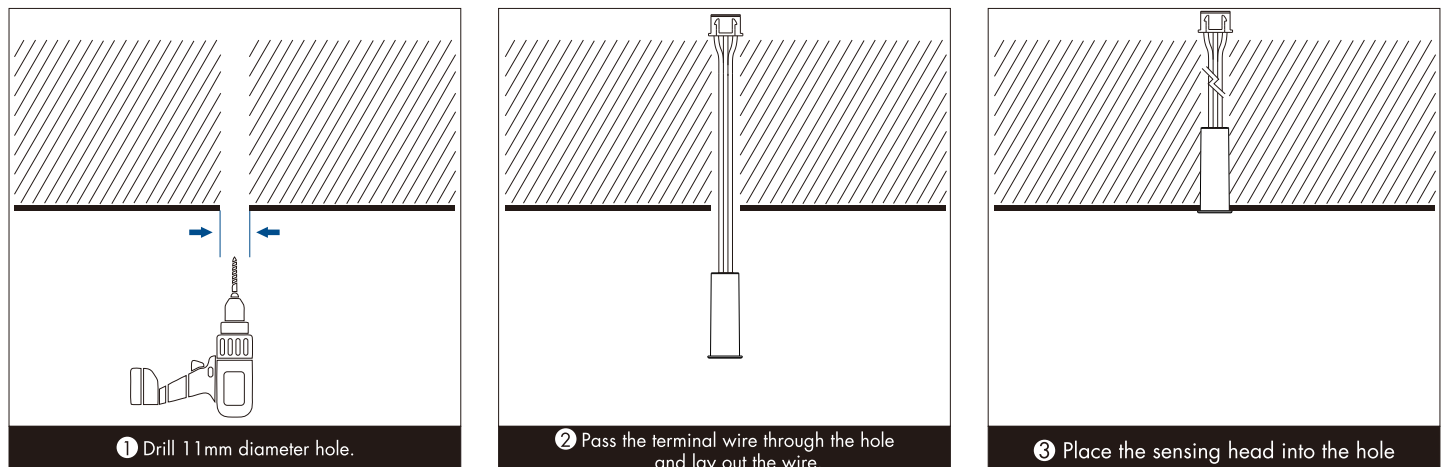
- Powered by low voltage 5VDC, output 5V level or PWM signal.
- Can be used with constant voltage LED dimming power supply.
- Apply to cabinet, closet, wine cabinet and other lighting.
- Output PWM frequency: 2000Hz.

Sensor wire define

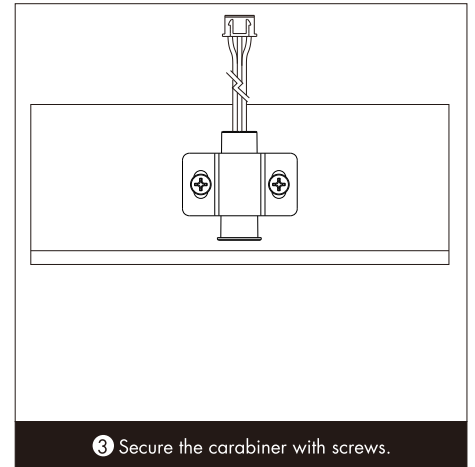
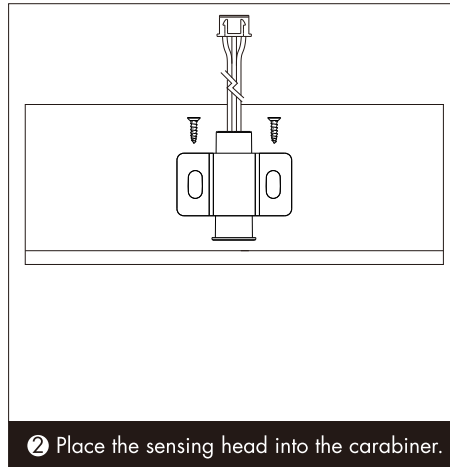
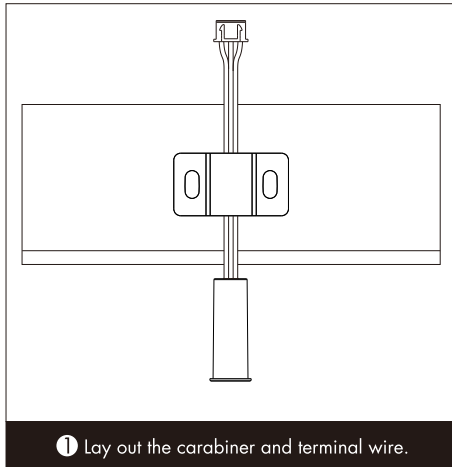


Sensing head installation

- Concealed installation:



● Surface mounting method:



Sensing head application

UEB(C) Hand sweep sensing head

Make pendulum action at the front end of the sensing head:
when hand sweep, the light turn on gradually;
when hand sweep again, the light turn off gradually.

Hold your hand in front of the sensing head for more than 2 seconds:
The brightness increases or decreases continuously,
the each time the hand is removed and then held again,
the brightness changes in the opposite direction.

UED(C) Door sensing head

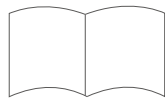
Use the door as a reflection object.
It is installed at the outer edge of the cabinet door, about 1 cm away from
the outer edge.

When the door open, or no obstacle in front of the sensing head,
the light turn on gradually;
When the door close, or obstacle in front of the sensing head,
the light turn off gradually.

Packing List



Induction sensor head
1 pcs



User manual
1 pcs



Carabiner
1 pcs



Screw
2 pcs