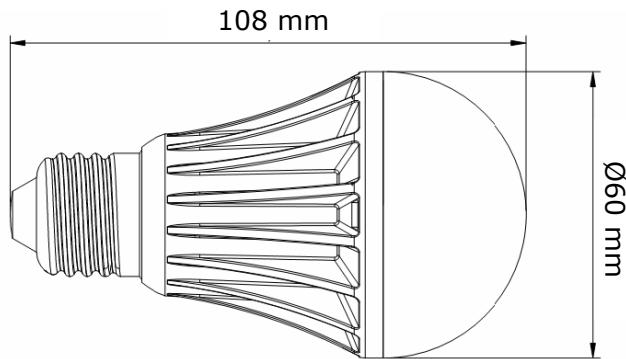


Multi E27 A60-9W Day White 220V



Line-Up:

Category	Specifications	Unit
Watts	9	W
Lumens per Watt (Efficacy)	63	Lm/W
Light Output	570	lm
Light Color (CCT)	4000	K
Beam Angle	120	°(degree)
Color Accuracy (CRI)	70	Ra
Product Weight	160	g
Dimension (mm)	60*108	mm
Rating Life	35 000	H
Base	E27	
Input Voltage (AC)	220	V

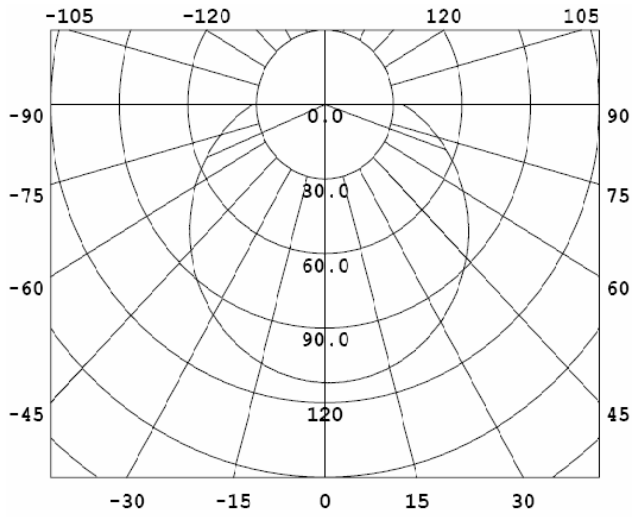
Technical Specifications:

Item	Test Conditions	Min.	Typ.	Max.
Input Voltage (V, rms)	AC	100	220	240
Input Current (mA, rms)	AC (230V)	--	41	--
Input Power (W, rms)	AC (All)	--	9	--
Input Frequency (Hz)	AC	--	50/60Hz	--
Power Factor (PF)	AC (All)	≥0.5		
Output Voltage (V)	DC	24	25.2	26.4
Output Current (A)	DC	275	285	295
Output Power (W)	DC	6.6	7.182	7.788

Environmental Requirements:

Specifications	Values
Operational Temperature Range	-20 ~ +40°C
Preservation Temperature Range	-20 ~ +90°C
Operational Humidity Range	95% Rh or belcw (@ -20 ~ +40°C)
Installation Area	Indoor (Counter, Residential, Commercial, etc)

Luminance Intensity Distribution:



Cone Lux Diagram:

