

# RF Wall Mounted Touch Panel

Sens SR-2830-RF-IN



### Feature

- Backlight
- Glass interface(White & Black)
- Touch sensitive
- Adjust brightness and color



## Parameter

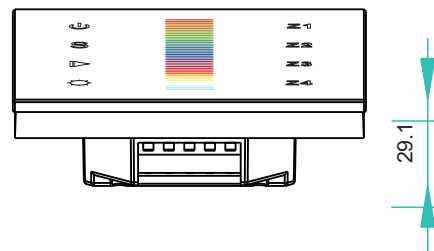
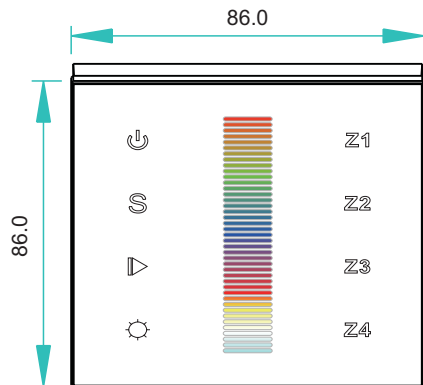
### Remote

Part No.	Operation Voltage	Operation Frequency	DIMENSIONS ø/h (mm)	Remarks
SR-2830-RF-IN-AC	100-240VAC	434MHz/868MHz	86x86x29.1	Touch Sensor
SR-2830-RF-IN-DC	12-24VDC	434MHz/868MHz	86x86x29.1	Touch Sensor

### Receiver

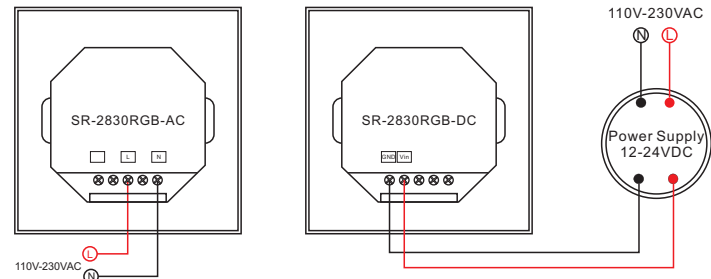
Part No.	Input Voltage	Current	Output	Remarks
SR-1009FA	12-36VDC	4x5A	4x(60-180)W	Constant voltage
SR-1009EA	12-36VDC	4x8A	4x(96-288)W	Constant voltage
SR-1009FA3	12-36VDC	4x350mA	4x(4.2-12.6)W	Constant current
SR-1009FA7	12-36VDC	4x700mA	4x(8.4-25.2)W	Constant current

## Product Size

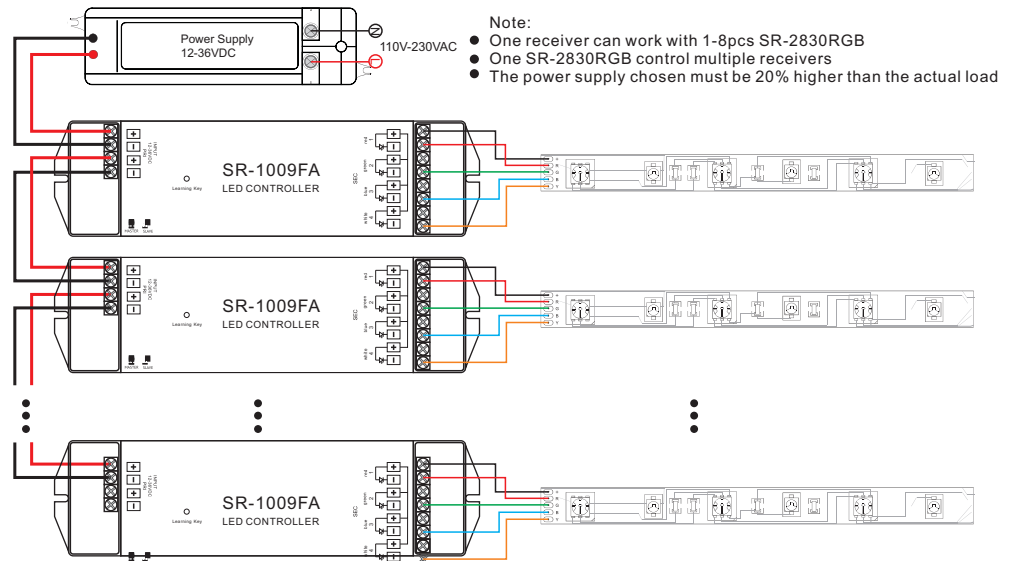


## Wiring diagram

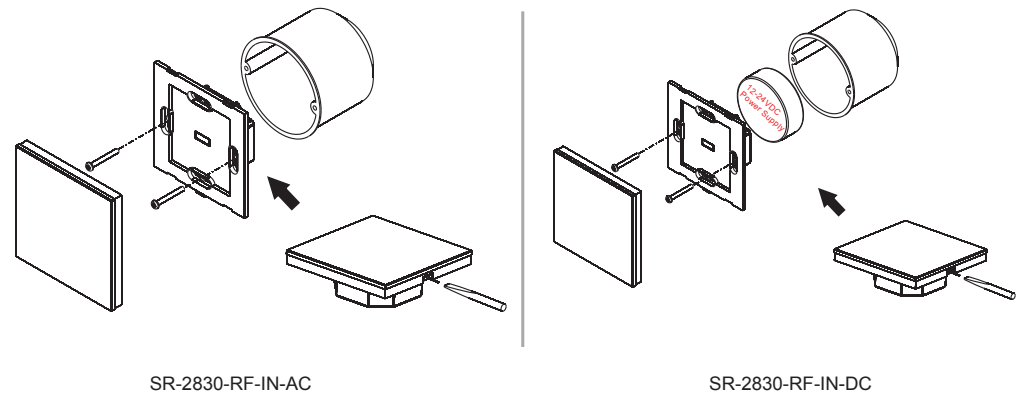
### 1) Sender Connection Diagram



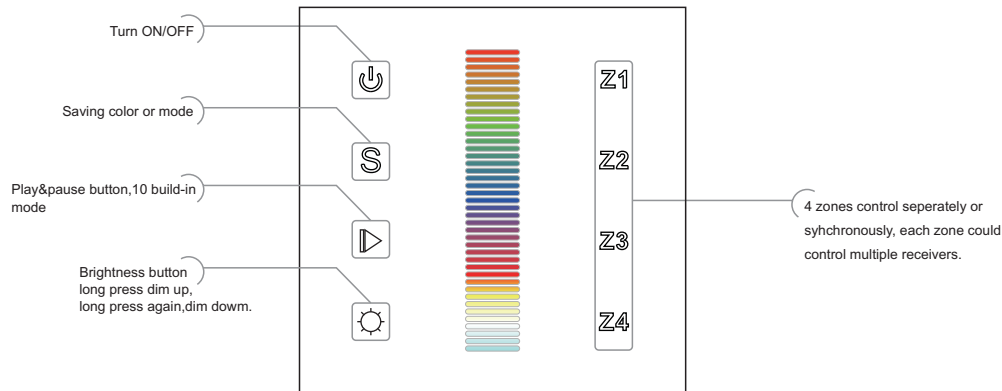
### 2) Receiver Connection Diagram for Multiple Units



## Installation



## Description of buttons



## Operation

### 1. Learning ID with SR-1009 series:

Click learning button on RF receiver (SR-1009XX)→

Short Touch a zone button Z1,Z2,Z3 or Z4 (sender 2830RGB)→Touch dimming slider

The light flick means ID learnt successfully.

Touch zone button Z1/Z2/Z3/Z4 separately over 2 seconds, which will turn ON/OFF separately.

The backlight blue is ON for the zone, yellow is OFF for the zone.

**Notice : Each sender can control 4 different zones separately,each zone can be learned endless receivers,so one sender can control as many receivers as you can.**

Z1 Z2 Z3 Z4 Short press is choose the zone.  
Long press can turn off/on each zone.

Ⓢ a.Save color :choose a zone or multiple zones from(Z1,Z2,Z3,Z4) →

Touch dimming slider to get a favorite color →

Hold Ⓢ button over 2 seconds →

The light flicking means successfully saved.

b.Save mode:choose a zone or multiple zones from(Z1,Z2,Z3,Z4) →

press ▷ button,10 build-in modes inside, choose the favorite mode →

Hold Ⓢ button over 2 seconds-The light flicking means successfully saved.

c.Reply:Short touch button Ⓢ to replay the color or mode just saved.

▷ Press ▷ Button, mode will run.Press it once,it runs one mode.Press button again,it stops,then press one more time, it will enter next mode.There are total 10 build-ion modes.

☀ Long press dim up,Long press again,dim down.

## Safety & Warnings

- 1) The product shall be installed and serviced by a qualified person.
- 2) IP20.Please avoid the sun and rain. When installed outdoors, please ensure it is mounted in a water proof enclosure.
- 3) Always be sure to mount this unit in an area with proper ventilation to avoid overheating.
- 4) Please check if the output voltage of any LED power supplies used comply with the working voltage of the product.
- 5) Never connect any cables while power is on and always assure correct connections to avoid short circuits before switching on.
- 6) Please ensure that the cable is secured tightly in the connector
- 7) For update information please consult your supplier.

## Warranty Agreement

1) We provide lifelong technical assistance with this product:

- 3-year warranty. We print date on every products, for example :1125 means year 2011,week 25.The warranty is for free repair or replacement and covers manufacturing faults only.

- For faults beyond the 3-year warranty we reserve the right to charge for time and parts.

2) Limited Warrenty

- Any defects caused by wrong operation.

- Any damages caused by unauthorized removal, maintenance, modifying, incorrect connection and replacement of chips.

- Any damages due to transportation, vibration etc. after purchase.

- Any damages caused by earthquake, fire, lightning, pollution and abnormal voltage.

- Any damages caused by negligence, inappropriate storing at high temperatures and humidity or near harmful chemicals.

- Product has been updated

3) Repair or replacement as provided under this warranty is the exclusive remedy to the customer.