

ARDV-12012EP (12V, 1A, 12W)

Drawing:

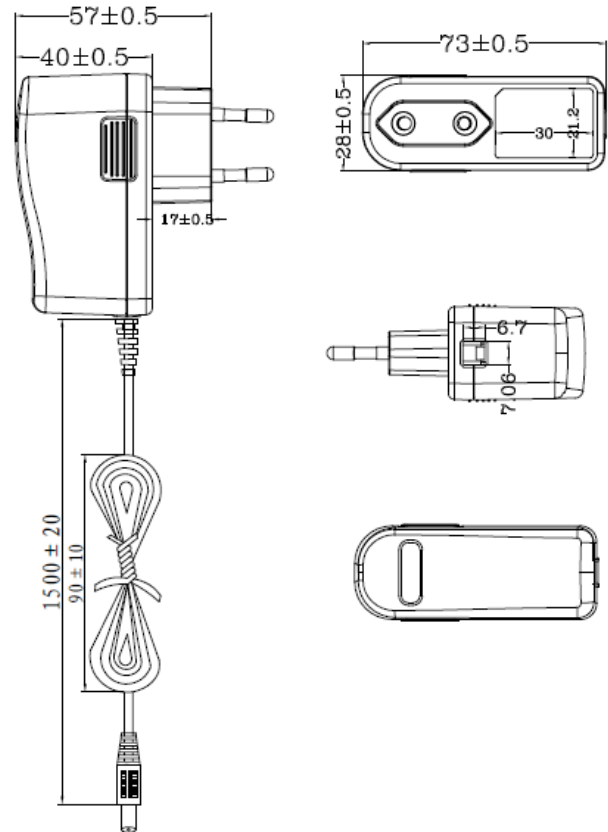
Input Cable: DIRECT PLUG-IN

Output Cable: SPT-1 20AWG*2C*80□*1.5M
+5.5*2.1*10MM DC Plug BK

Input voltage: 100~240VAC

Output voltage: 12VDC

Relative humidity: 85%RH. Non-condensing



Electronical specification

INPUT VOLTAGE:	100~240 Vac
INPUT RANGE VOLTAGE:	100~264 Vac
INPUT FREQUENCY:	50~60 Hz
INPUT RANGE FREQUENCY:	47~63 Hz
INPUT CURRENT:	0.5 Amp. rms. at 100 Vac
INRUSH CURRENT:	40 Amp. peak at 100 Vac 80 Amp. peak at 240 Vac. Tested At Max. load 25°C, Cold start
OUTPUT VOLTAGE:	12 V
REGULATION:	± 5 %
MIN. LOAD CURRENT:	0 A
MAX LOAD CURRENT:	1000m A
RIPPLE AND NOISE 1:	120 mVp-p Max. At 100 Vac, 50/60 Hz, Max. load 25°C
RIPPLE AND NOISE 2:	120 mVp-p Max. At 240 Vac, 50/60 Hz, Max. load 25°C
NOISE TEST BANDWIDTH:	20 MHz
LINE REGULATION:	INPUT = 100 ~ 260 Vac. output loaded at Max. load. REGULATION = ± 5 %
TOTAL OUTPUT:	12 W
POWER EFFICIENCY:	76% Min. at 100~260 Vac 50/60 Hz. Max. load.
OVER CURRENT PROTECTION,	SHORT CIRCUIT PROTECTION
OVER CURRENT PROTECTION,	SHORT CIRCUIT PROTECTION (LATCHED SHUTDOWN)
TOTAL POWER PROTECTION:	10 W THE STANDBY POWER: 0.5 W max.
OVER VOLTAGE PROTECTION:	15 Vdc Max.

Mechanical specification

DIMENSIONS:	73(L) * 28 (W) * 40(H)mm (Tolerance as drawing)
WEIGHT:	100 g Max.
OPERATING TEMPERATURE:	0°C To 40°C
STORAGE TEMPERATURE:	-20°C To 60°C
RELATIVE TEMPERATURE:	40°C ±2°C