

Диммер DALI-60 (220V, 1050/1200/1400mA, 60W)

Features

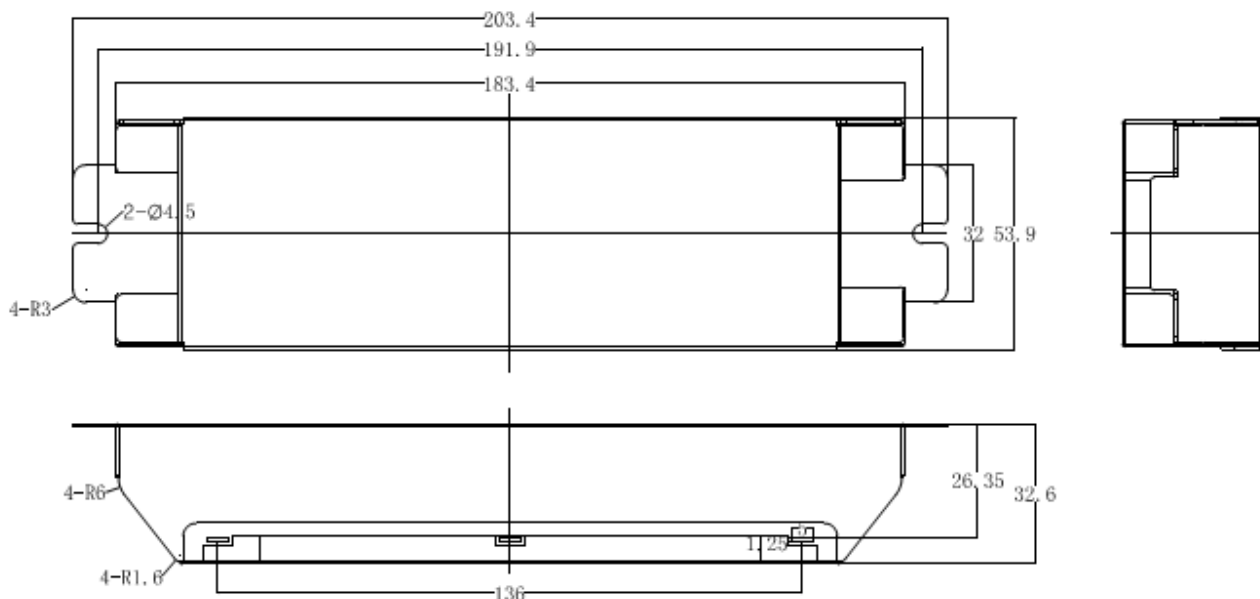
- Signal channel output, output current level selectable by DIP S.W.
- Wide range of input voltage 100VAC ~ 240VAC
- Meet DALI Protocol IEC 62386.
- Support Touch-DIM function
- High efficiency up to 87%
- Built-in active PFC function
- Protections: Short circuit, over power.
- Suitable for indoor LED lighting application



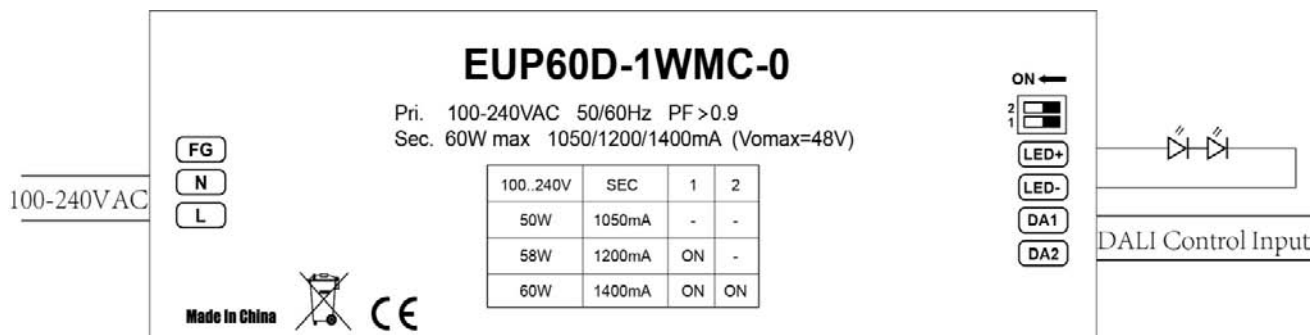
Specification

Model		DALI-60		
Output	Current	1050mA	1200mA	1400mA
	DC Voltage	5-48V	5-48V	5-43V
	Rated power	50W	58W	60W
	Channels	1		
	Current Accuracy	± 3%		
	R & N (Max)	5Vp-p		
Input	Voltage Range	100 – 240VAC		
	Frequency Range	47 – 63Hz		
	Power Factor(Typ)	PF ≧ 0.9 (115VAC/230VAC)		
	Efficiency(Typ)	87%		
	AC Current(Typ)	0.8A@115VAC 0.4A@230VAC		
	Leakage Current	<1mA/240VAC		
	Inrush current(Typ)	40A at 230VAC		
Protection	Short Circuit	Output close, recovers automatically after removed		
	Over power	Above 110%-150% rated output power Output voltage limiting		
Function	Dimming	DALI Dimming/Touch-dim		
Others	Dimension	204(L) *54 (W)*33(H)mm		
	N.W	440g		
	Packing	382(L)*222(W)*215(H)mm, 30pcs/14kg/Carton		
	Working temp.	-20℃ ~ 50℃		

Dimension



Wiring diagram

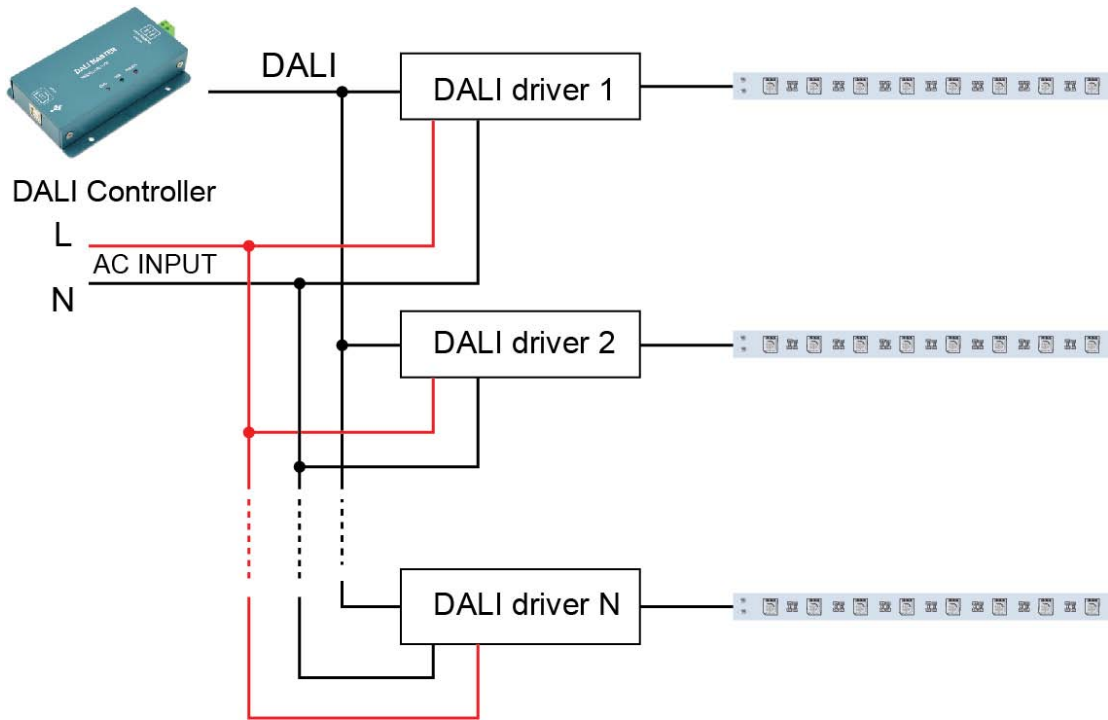


Switch function selection sheet

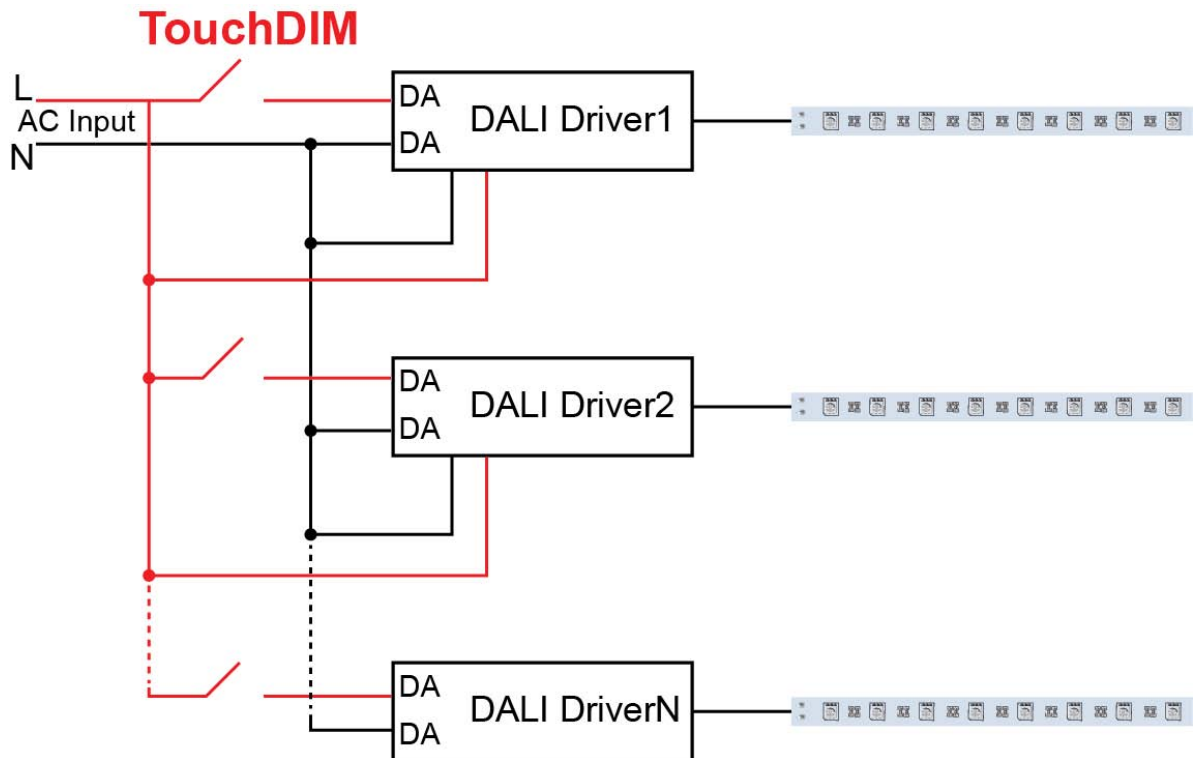
Current	Switch 1	Switch 2
1050mA	OFF	OFF
1200mA	ON	OFF
1400mA	ON	ON

Remark: Function default setting is: 1050mA (@switch are all OFF state)

- DALI Diagram



- Touch Dim diagram



Remark: Only use open push button without indicator light.

Touch DIM function

1. Short press the Touch DIM switch (<0.5s) to control the lamp on or off.
2. Long press the Touch DIM switch (>0.5s) to dim the brightness of light. The dimming direction will change every time after pressing switch.
3. When the light being turned off, long press the Touch DIM switch can turn on the light and adjust the brightness according to the dimming direction.
4. The brightness adjustment range is 1%-100%, and the light can be turned off through short pressing when doing the adjustment with long pressing Touch DIM switch
5. With the Power off memory function, the power-down state will be recovered when power on again.

Cautions

1. This unit must be installed by a qualified electrician.
2. DALI and Touch DIM functions cannot be used simultaneously, which can be controlled respectively by using DALI controllers or the equipments with Touch DIM function.
3. Please read the wiring diagram before installation.
4. Use suitable mounting tools to do the wiring and mounting.
5. Please check the connecting method is correct or not before connecting the power.