

Панель Sens SR-2400TL-IN Black (DALI, 4 адреса)



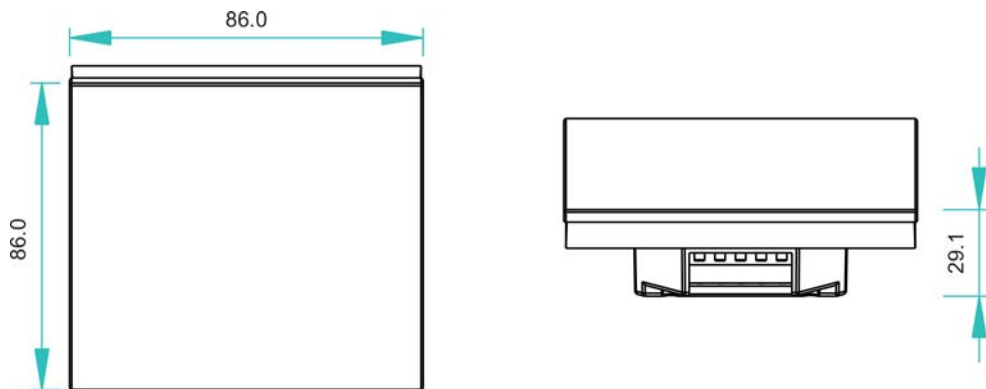
FEATURE

- Standard DALI Master , SR-2400TL control 4 DALI Addresses, SR-2400TG control 4 groups, SR-2400TS control 4 scenes.
- Comply to DALI standard protocol IEC60929 and in compliance with DALI products from other international incorporation.
- With bus detective function, one channel DALI bus can install multiple dimming controllers.
- No external power supply which is provided by DALI bus. Consumption current is 4mA.
- Enable to select different single light address, group address for controlling by encoding switch.
- Up to 4 single light addresses or 4 group addresses for switch and dimming control.
- Controlled by external switch, convenient and flexible, with small size, it can be easily placed into 86 X 86 mm box.

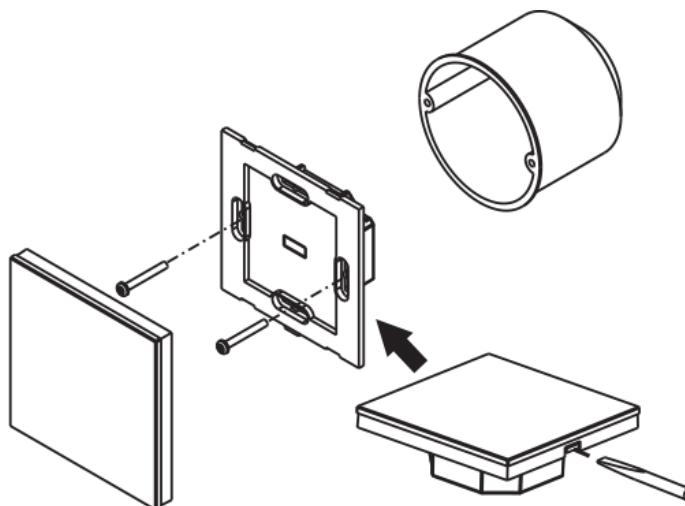
PARAMETERS

| Part No. | Operation Voltage | Output | Dimensions |
|-----------|----------------------|-------------|---------------|
| SR-2400TL | Provided by DALI bus | DALI Signal | 86x86x29.1 mm |

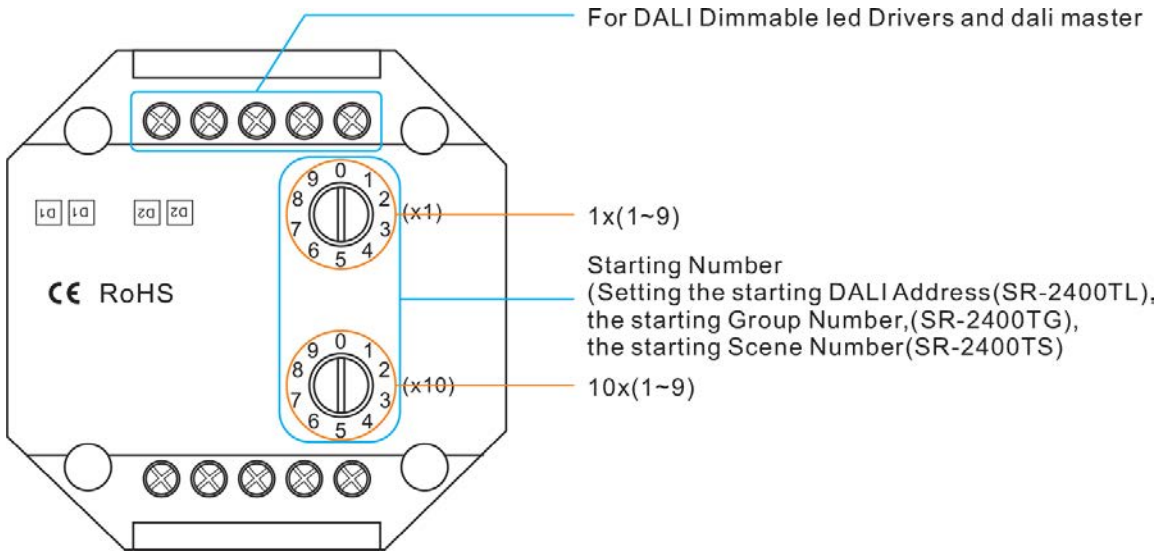
PRODUCT SIZE



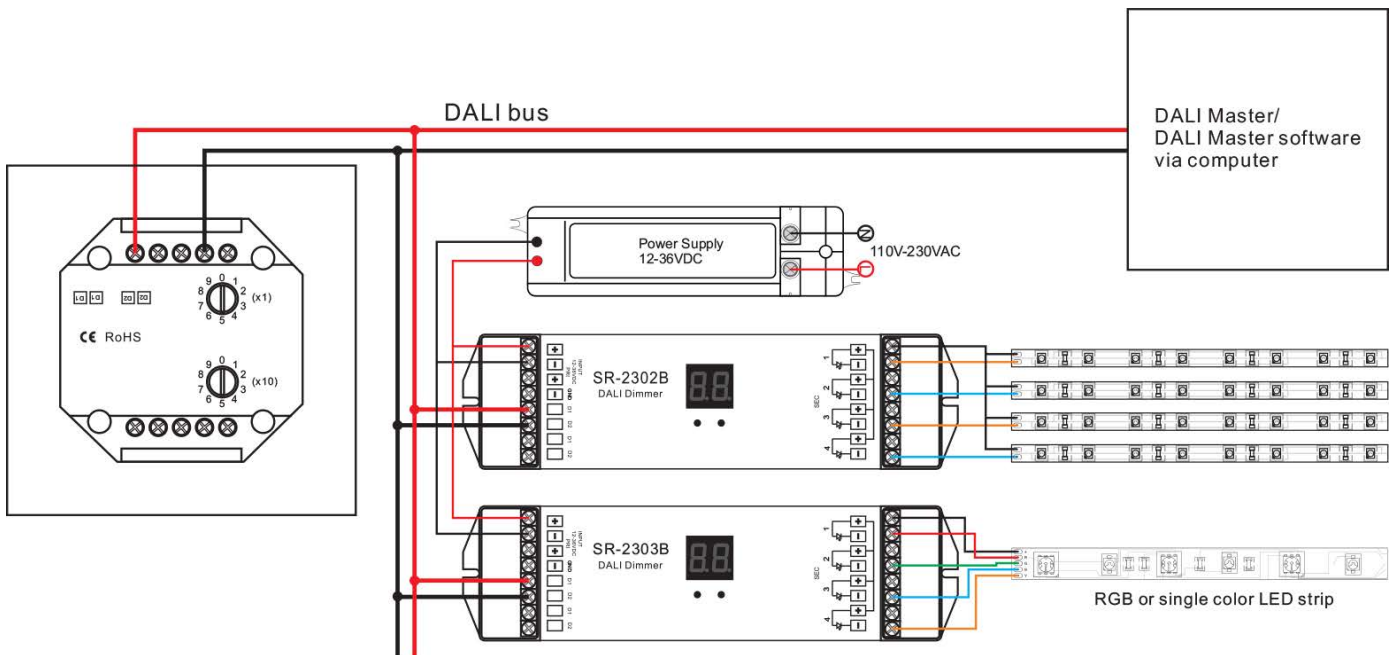
INSTALLATION



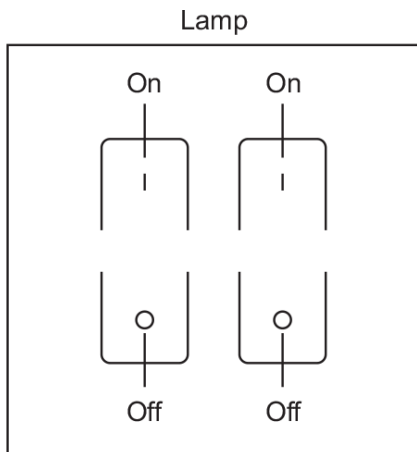
BRIEF INTRODUCTION OF BUTTONS



WIRING DIAGRAM



DESCRIPTION OF BUTTONS



Short press: ON/OFF
 Hold finger down: dimming up
 /dimming down
 Dim brightness from 0.1% to 100%

OPERATION

Set starting number for DALI masters

Set the starting number "X" on SR-2400TL(with 64 dali address)

K1 control X dali address ,

K2 control X+1 dali adrees ,

K3 control X+2 DALi address ,

K4 control X+3 DALi Address

Note:

- 1. Keep the starting number on the DALI Master with the same first dali address on dali dimmers, same first group number, same first scene number the compute Programmed.*
- 2. The groups and scenes need to be programmed on computer, then can work with our SR-2400TG SR-2400TS.*

SAFETY & WARNINGS

1. The product shall be installed and serviced by a qualified person.
2. IP20.Please avoid the sun and rain. When installed outdoors, please ensure it is mounted in a water proof enclosure.
3. Always be sure to mount this unit in an area with proper ventilation to avoid overheating.
4. Please check if the output voltage of any LED power supplies used comply with the working voltage of the product.
5. Never connect any cables while power is on and always assure correct connections to avoid short circuits before switching on.
6. For update information please consult your supplier.
7. Please ensure that the cable is secured tightly in the connector.