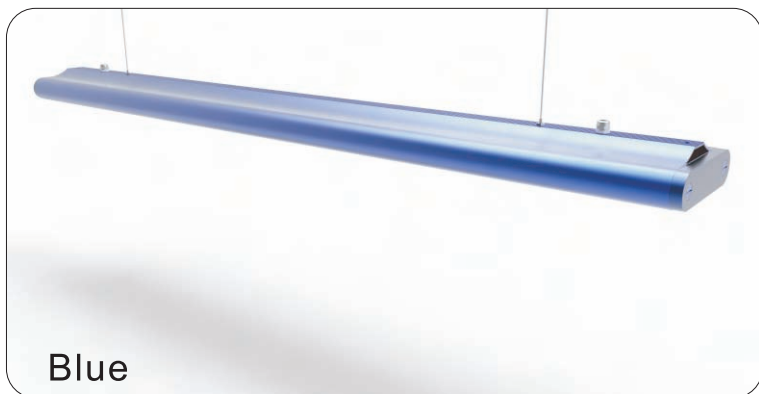


NLC-900S-30W



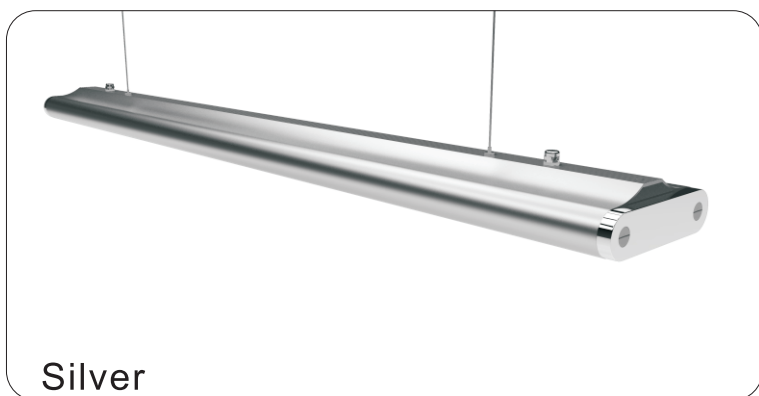
Optional color



Blue



White



Silver



Black

Features :

Nexol Aglaia light, presents a high quality design with patent and nice appearance, simplicity and smooth lines. The use of 6063 extrusion aluminum and high transmittance PMMA offer a reliable thermal performance and impressive light uniformity, also the luminous efficacy up to 85LM/W.

Aglaia gives different lengths for option like 600mm, 900mm, 1200mm, 1500mm , support for ceiling and pendant mounting solutions, allows flexible combinations which is linkable from end to end with accessories.

Aglaia, 30000 hours lifetime, 60% energy saving compare to conventional lighting products, high cost-effective. Can be widely use for indoor commercial applications, good for office, shopping malls and so on.

Application



Technical Parameters



Model number: NLBAG0930



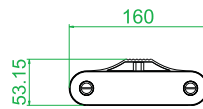
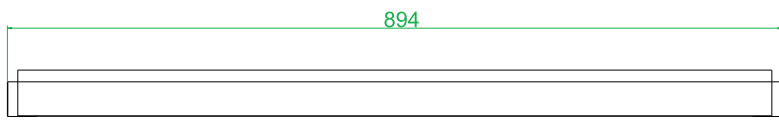
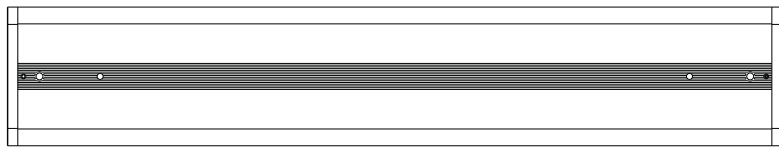
Light Fixture Size	894*160*53mm
Input Voltage	100-240VAC
Input Power	30W
Power Factor	>0.9
Beam Angle	120°
Luminous Flux	2400LM/2460LM/2550LM
Color Rendering	WW:>80/NW:>75/CW:>72
Life Time	30000H
CCT	3000K/4200K/6000K
LEDs	144pcs
Protection Level	IP 20
Storage Temperature	-40°C~+80 °C
Working Temperature	-20°C~+40 °C
Inner package size	974*204*112mm
Outer package size	983*477*225mm
Certifications	CE/RoHs
Net Weight	2.4kg
Installation	Pendant, ceiling mounting

Remark:

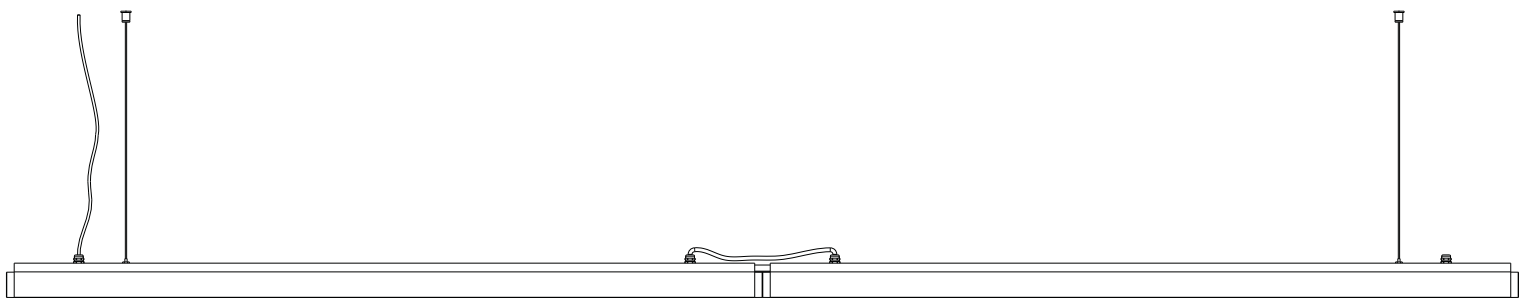
- 1. The related parameters above are based on based on Lumenmax 3022 leds.
- 2. Indoor use only.

Size

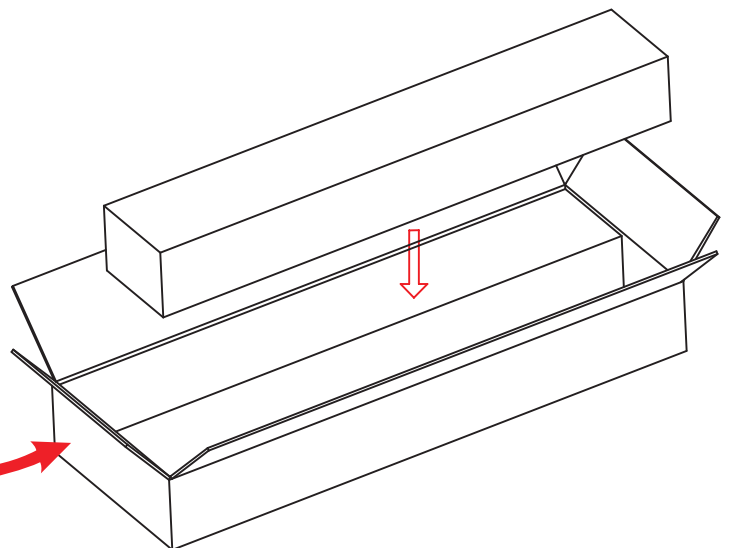
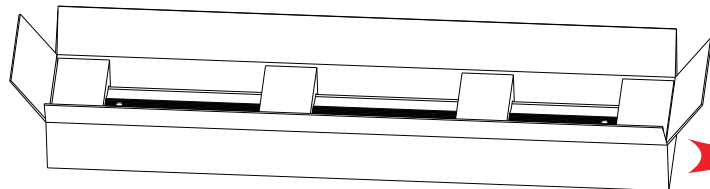
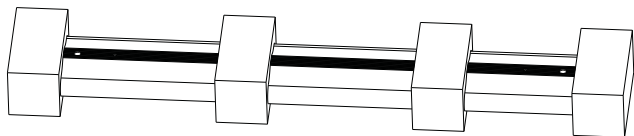
Model number: NLBAG0930



Wiring diagram



Package



Model number:	NLBAG0930
N.W.	2.6kg
G.W.	4.1kg
QTY	2 pcs