

Сенсорный пульт SR-2819-CCT (MIX, 6 зон)



PRODUCT INTRODUCTION

- Six zones/areas
- Press-button color temperature dimmer
- Receivers work with WIFI-RF converter to be controlled by smart phone

PARAMETER

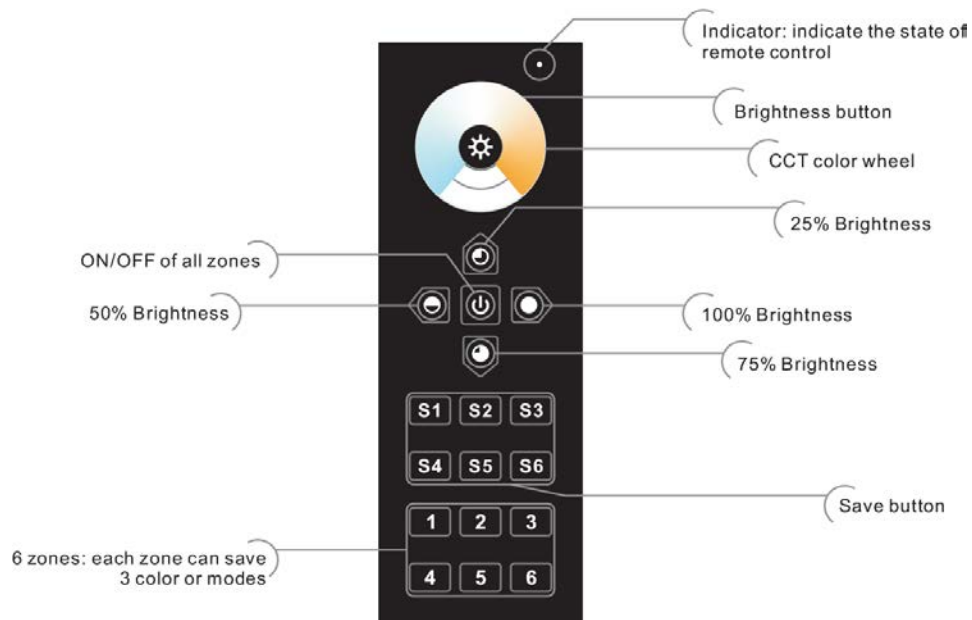
• Remote

Part No.	Operation Voltage	Operation Frequency	Dimension ϕ /h (mm)	Remarks
SR-2819-CCT	3.6VDC	868MHz	48x140x17	load 3pcs 7 AAA (1.5V) batteries

• Receiver

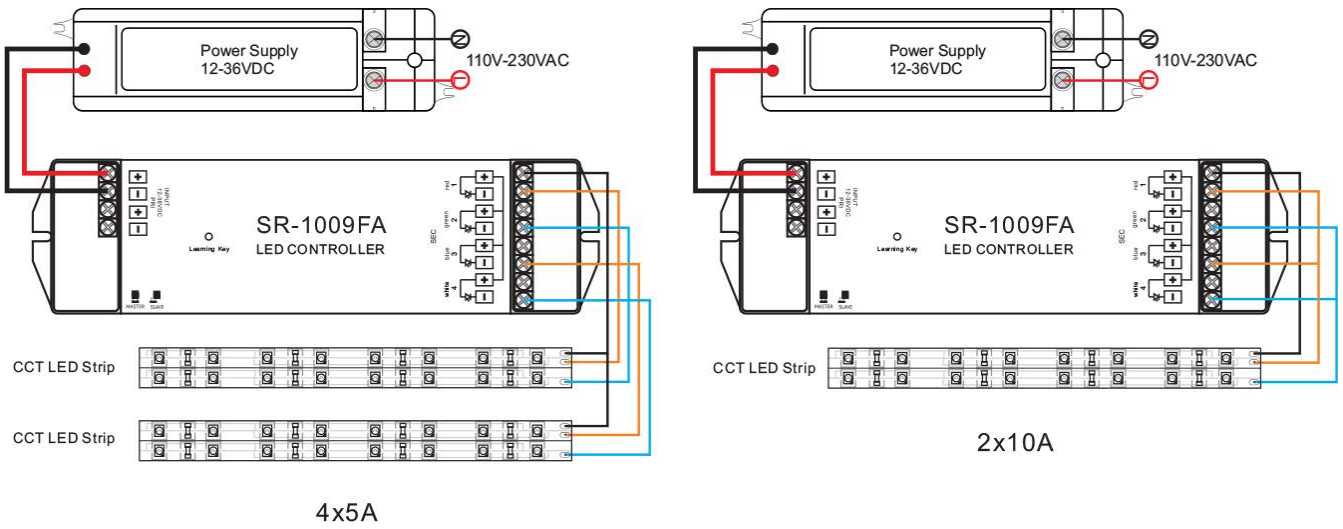
Part No.	Iuput Voltage	Current	Output	Remarks
SR-1009FA	12-36VDC	4x5A	4x(60-180)W	Constant voltage
SR-1009EA	12-36VDC	4x8A	4x(96-288)W	Constant voltage
SR-1009FA3	12-36VDC	4x350mA	4x(4.2-12.6)W	Constant current
SR-1009FA7	12-36VDC	4x350mA	4x(8.4-25.2)W	Constant current

BRIEF INTRODUCTION OF BUTTONS

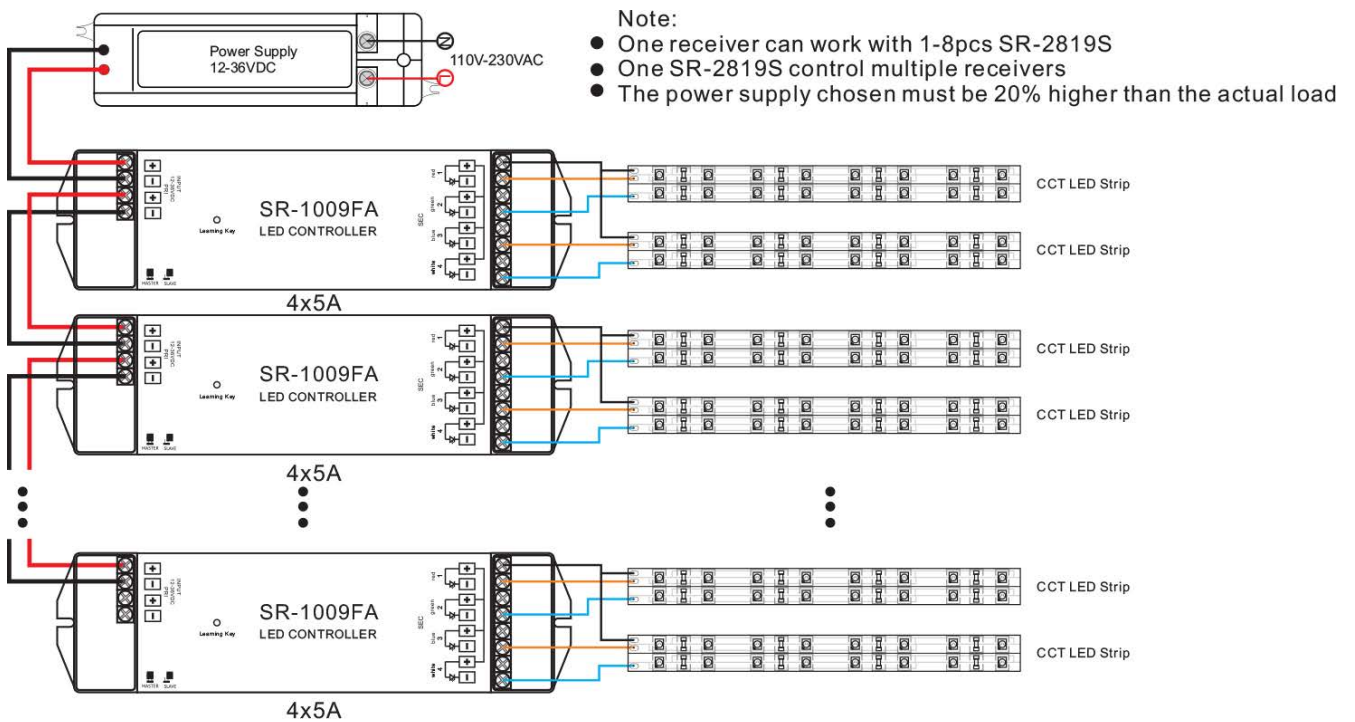


WIRING DIAGRAM

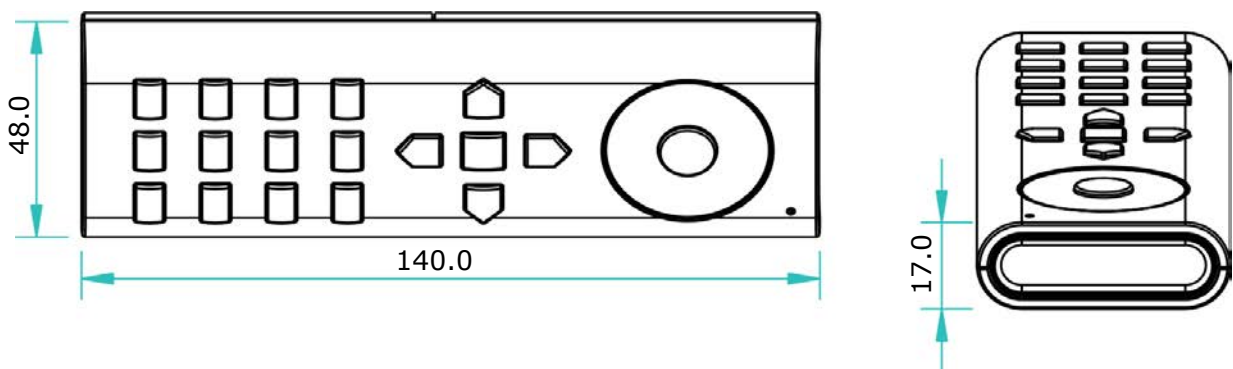
Receiver Connection Diagram for Single Unit



Receiver Connection Diagram for Multiple Units



PRODUCT SIZE



OPERATION







1. Learning (matching)

- Do wiring according to connection diagram
- Wake up the remote control by touching ON/OFF button.
- Press learning button on receiver.
- Touch any zone button on remote control.
- Then touch color temperature wheel.
- Connected LED light will blink to confirm zone designation.
- Press at learning button on receiver over 5 seconds until LED light flash, then delete the learned ID.



Note:

- Each remote control 6 zones (areas) receivers, each area can be learned as many receivers as we can.
- Each receiver maximally can be controlled by 8 different remote controllers.

2. Color Temperature wheel

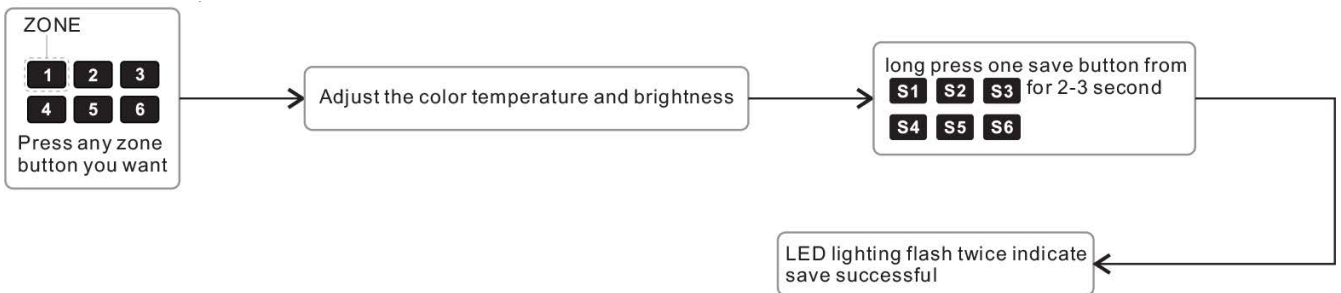
Choose zone number , for example,  and , then touch , choose the color temperature you want, zone  and  will indicate corresponding color as we touched.

3. Brightness Up & Down Button

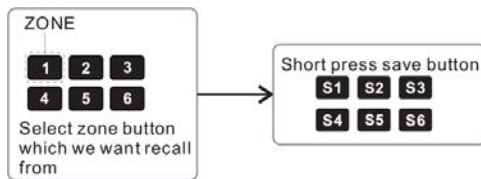
Long Press button  to adjust the brightness up or down.
Short press  to adjust the brightness to 25%, 50%, 75% and 100%.

4. Save and recall button

a. Save Color temperature



b. Recall



SAFETY & WARNINGS

1. The product shall be installed and serviced by a qualified person.
2. IP20. Please avoid the sun and rain. When installed outdoors, please ensure it is mounted in a water proof enclosure.
3. Always be sure to mount this unit in an area with proper ventilation to avoid overheating.
4. Please check if the output voltage of any LED power supplies used comply with the working voltage of the product.
5. Never connect any cables while power is on and always assure correct connections to avoid short circuits before switching on.
6. Please ensure that the cable is secured tightly in the connector
7. For update information please consult your supplier.